



BCC

**HEAVY DUTY
VERTICAL SPINDLE
MOULDER**

INSTRUCTION MANUAL No 3027



BCC

**HEAVY DUTY
VERTICAL SPINDLE
MOULDER**

M/C No

Test No

INSTRUCTION MANUAL

**MANUFACTURERS E.C. DECLARATION
OF CONFORMITY**

The following machine has undergone "Conformity Assessment" and has undergone Third Party Examination by a Notified Body in accordance with:-

Schedule IV of the Supply of Machinery (Safety) Regulations 1992
and Amendment No. 2063

COMPANY

Wadkin Ultracare Limited
Hilltop Industrial Park
Bardon Hill
Coalville
LE67 1TT

RESPONSIBLE PERSON

Mr J P Smith (Director)

MACHINE DESCRIPTION

TYPE Spindle Moulding Machine

MODEL BCC

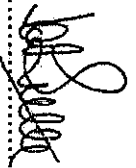
DIRECTIVES COMPLIED WITH

Supply of Machinery (Safety) Regulations 1992
Amendment No. 2063 1994
Draught Proposal CEN/TC 142
ISO 9001 Part 1

NOTIFIED BODY

Lloyds Register
Lloyds Register House
29 Wellesley Road
Croydon, CR0 2AJ

**SIGNED ON BEHALF OF WADKIN
ULTRACARE LTD.**



**EC TYPE EXAMINATION
CERTIFICATE NO.**

EC94/00007



EC Type Examination Certificate

Certificate Number: EC 94/00007 A1

Office: UK Industry - Statutory Services

Date: 23 December 1994

This is to certify that Lloyd's Register of Shipping, an Approved Body under the terms of The Machinery Directive 89/392/EEC as amended by Directives 91/368/EEC, 93/44/EEC and 93/68/EEC as consolidated by Directive 98/37/EC.

The Supply of Machinery (Safety) Regulations 1992, Statutory Instrument 1992 No. 3073 as amended by Statutory Instrument 1994 No. 2063

did undertake an EC Type Examination on the stated product for compliance with the essential safety requirements of the Directive. The product identified below was shown to comply.

This certificate is issued to

APPLICANT Wadkin Ultracare Limited,
Green Lane Road,
Leicester LE5 4PF,
England.

PRODUCT DESCRIPTION Heavy Duty Spindle Moulding Machine

TYPE BCC

The attached LR Design Appraisal Document No. EC94/00007 issue 2 details the content of the Technical Construction File and shall form a part of this certificate.

"This Certificate is not valid for equipment, the design, ratings or operating parameters of which have been varied from the specimen tested. The manufacturer should notify LR of any modification or changes to the equipment in order to obtain a valid certificate."

M.R. GREENHALGH
Surveyor to Lloyd's Register

LR EC Distinguishing Number 0038

**BE CAREFUL
THIS MACHINE CAN BE DANGEROUS
IF IMPROPERLY USED**

Always use guards.

Keep clear until rotation has ceased.

Always operate as instructed
and in accordance with good practice.

Read instruction manual before installing,
operating or maintaining machine.

Manufactured by : WADKIN PLC

Franks Road

Hilltop Industrial Park

Bardon Hill

Coalville, LE67 1TT

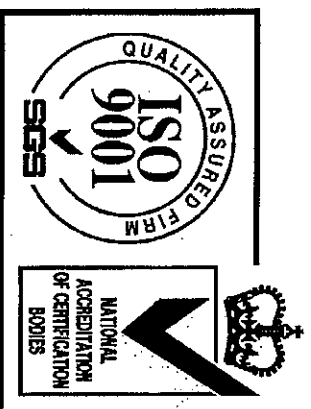
England

Telephone No. : +44(0)870 850 9111

Fax No. : +44(0)870 240 0575

Website : www.wadkinultracare.com

E mail : info@wadkinultracare.com



PREFACE

IMPORTANT

It is our policy and that of our suppliers to constantly review the design and capacity of our products. With this in mind we would remind our customers that while the dimensions and performance data contained herein are correct at the time of going to press, it is possible that due to the incorporation of the latest developments to enhance performance, dimensions and suppliers may vary from those illustrated.

This manual is written as a general guide. A typical machine is shown to illustrate the main features. For reason of clarity certain guards, safety devices and machine parts may not be shown on particular illustrations but **MUST** be fixed to the machine, correctly set and working before operating

**Failure to comply with instructions in this manual may
invalidate the guarantee**



HEALTH AND SAFETY

The CE mark on this machine signifies that an EC Declaration of Conformity is drawn up indicating that the machine is manufactured in accordance with the Essential Health and Safety Requirements of the 'Supply of Machinery (Safety) Regulations 1992'.

The 'requirements for supply of relevant machinery' in the General Requirements of the Regulations are not only that the machine satisfies the relevant essential health and safety requirements, but also that 'the manufacturer.....carries out the necessary research or tests on components, fittings or the complete machine to determine whether by its design or construction the machine is capable of being erected and put into service safely'.

Persons who install this machine have duties under the 'Provision and Use of Work Equipment Regulations 1992'. An indication of these duties is given in the following extracts, but the user should be familiar with the full implications of the regulations.

REGULATION 5 requires that:

Every employer shall ensure that work equipment is so constructed or adapted as to be suitable for the purpose for which it is used or provided.

In selecting work equipment, every employer shall have regard to the working conditions and to the risks to health and safety of persons which exist in the premises or undertakings in which that work equipment is to be used and any additional risk posed by the use of that work equipment.

Every employer shall ensure that work equipment is used only for the operations for which, and under conditions for which, it is suitable.

In this regulation 'suitable' means suitable in any respect which it is reasonably foreseeable will affect health or safety of any person.

The Provision and Use of Work Equipment Regulations also include requirements as follows.

regulation 6 - maintenance,

regulation 7 - specific risks,

regulation 8 - information and instructions,

regulation 9 - training.

Note:-

Attention is drawn to those requirements of the 'Woodworking Machines Regulations 1974' which are not replaced by the Supply of Machinery (Safety) Regulations or other, eg: Regulation 13 of the Woodworking Machinery Regulation, - 'Training', still applies.

Whilst the prime duty for ensuring health and safety rests with employers, employees too have legal duties, particularly under sections 7 and 8 of the Health and Safety at Work Act. They include:

taking reasonable care for their own health and safety and that of others who may be affected by what they do or don't do;

co-operating with their employer on health and safety;

not interfering with or misusing anything provided for their health, safety and welfare.

These duties on employees have been supplemented by regulation 12 of the Management of Health and Safety at Work Regulations 1992. One of the new requirements is that employees should use correctly all work items provided by their employer in accordance with their training and the instructions they receive to enable them to use the items safely.

Noise

Noise levels can vary widely from machine to machine depending on the conditions of use. Persons exposed to high noise levels, even for a short time, may experience temporary partial hearing loss and continuous exposure to high levels can result in permanent hearing damage.

The Noise at Work Regulations 1989 place legal duties on employers to prevent damage to hearing.

There are three action levels of noise defined in regulation 2:

the first action level:-

a daily personal noise exposure (Le_{p,d}) of 85dB(A)

the second action level:-

a daily personal noise exposure (Le_{p,d}) of 90dB(A)

the peak action level

a peak sound pressure of 200 pascals (140dB re 20pa)

The exposure level is obviously influenced by the emission level of all the equipment in use.

Emission levels for machines are provided in the particular machine instruction book.

These levels are measured in accordance with ISO 7960 under certain specified test conditions, they do not necessarily represent the highest noise level, which is influenced by many factors, eg number of spindles in operation, type and condition of workpiece, spindle speeds etc.

For regulations and information on relevant personal protective equipment i.e., ear defenders, employers should refer to the Personal Protective Equipment at Work Regulations 1992.

Dust

Wood dust can be harmful to health by inhalation and skin contact and concentrations of small particles in the air can form an explosive mixture.

The Control of Substances Hazardous to Health Regulations (COSHH) 1989 place legal duties on employers to ensure that:

the exposure of his employees to substances hazardous to health is either prevented or, where this is not reasonably practicable, adequately controlled.

.....adequate control to exposure of employees to a substance hazardous to health shall be secured by measures other than the provision of personal protective equipment.

where the measures taken in accordance with the paragraph above do not prevent or provide adequate control of, exposure to substances hazardous to the health of employees, then, in addition to taking those measures, the employer shall provide those employees with such suitable personal protective equipment as will adequately control their exposure to substances hazardous to health.

Instructions for Use

Machinery manufacturers are required by the Supply of Machinery Safety Regulations to provide comprehensive 'Instructions for Use' of equipment, it is important that this information is transmitted to the person using the machine.



IMPORTANT

SAFETY PROCEDURES AND CONSIDERATIONS

To ensure safe working conditions, persons operating and assisting with the operation of this machine must ensure that they read and fully understand the instructions given within this manual and have received sufficient training in the use of the machine and the safety aspects to be observed.

Note:- Persons under the age of 18 years must not operate the machine except during a course of training under the supervision of a trained operator.

A) POINTS OF NOTE BEFORE OPERATING OR ASSISTING WITH THE OPERATION OF THE MACHINE

- 1) You have read and understood the operation and safety aspects of the machine and have been checked out by a qualified supervisor.
- 2) The machine is supplied with full safeguarding. The machine shall not be operated unless the safeguardings suitable to the operation being carried out are in position and functional.
- 3) Cutters/blades are the correct type. Suitable for the machine, working conditions and maximum speed, rotate in the correct direction of cut, are sharp and correctly fitted.
- 4) Correct spindle, feed speeds are selected for the cutter equipment and working conditions.
- 5) Loose clothing is either removed or securely fastened back and jewellery removed.
- 6) Adequate working space and lighting is provided.
- 7) All dust extraction equipment is switched on, properly adjusted and working adequately.
- 8) The machine is securely installed (refer to installation section within this manual).
- 9) The machine should only be used for cutting wood or materials with physical and technological characteristics similar to wood and for which the chip or particle removal process is similar.
- 10) The correct table rings are selected to close the gap between the table and spindle to a minimum.
- 11) Check loose work spindle is securely and correctly held in position.



B) DURING MACHINING:-

- 1) Wear suitable protective clothing e.g., approved eye protection, ear defenders and dust mask. Gloves shall be worn when handling tools and sharp edged feed rolls.
- 2) Stop the machine using the emergency stop or at the mains isolator before making adjustments, cleaning or carrying out maintenance.
- 3) Keep the floor area around the machine clean and free from wood refuse. Do not allow the floor around the machine to become slippery.
- 4) Stop the machine and report immediately to a person in authority any actual or potential malfunction or operator hazard. Do not attempt to repair or rectify the machine unless qualified and authorised to do so.
- 5) The operator must not leave the machine running whilst unattended.
- 6) Never by pass interlocks.
- 7) A handled push block must be used to feed the trailing end of a work piece past the cutting head.

WARNING:-

Failure to observe correct operating procedures prior to and during operation of this machine can result in severe injury.

DO NOT attempt to operate the machine while under the influence of anything that reduces your alertness.



CONTENTS

	Page No
SECTION 1 GENERAL INFORMATION	
General description	1-1
General machining practices	1-1
Noise Emission values	1-3
Working areas	1-4
Foundation dimensions	1-5
Tooling requirements	1-7
Machine specification	1-9
Electrical diagram	1-11
SECTION 2 INSTALLATION	
Unloading	2-1
Unpacking	2-1
Cleaning	2-1
Location and foundation	2-1
Supplies and services	2-2
SECTION 3 OPERATING INSTRUCTIONS	
Safety and safety devices	3-1
Machine controls	3-2
False fences	3-2
Changing loose work spindle and/or cutter	3-5
Machine adjustment -	3-7
Top guard opening	3-7
Top cover/shaw guard	3-7
Straight fence adjustment	3-7
Spindle speed change	3-9
Vertical spindle adjustment	3-9
Table rings removal/replacement	3-10
Ring fence	3-10



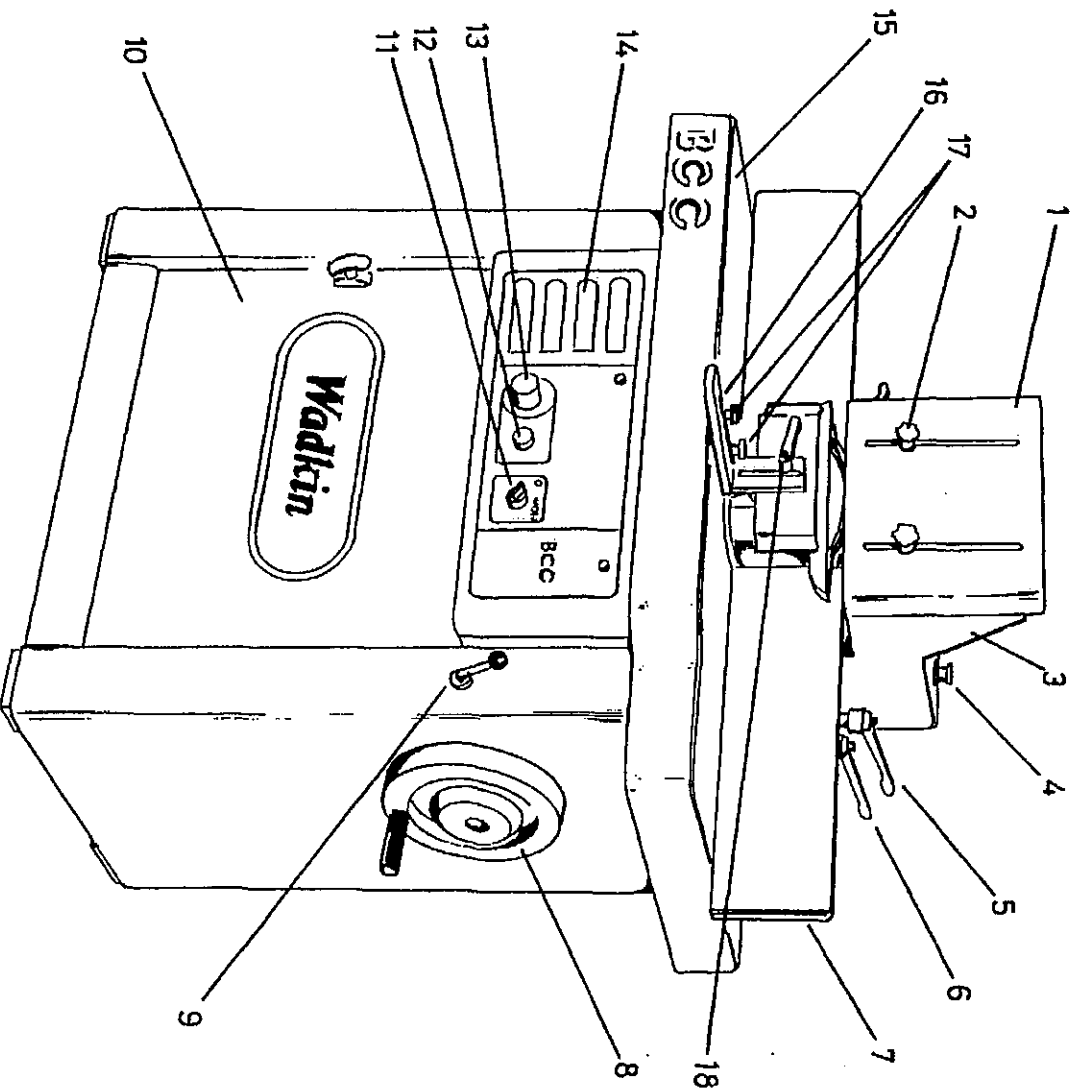
SECTION 4 MAINTENANCE

Page No

Scheduled maintenance -	4-1
General information	4-1
Weekly information	4-1
Monthly information	4-1
Drive belt tensioning/adjustment and replacement	4-1
Brake motor - disc replacement	4-2
Approved lubricants	4-5

SECTION 5 SPARES

Fence assembly	5-3
Fence guard assembly	5-5
Table rings	5-7
Spindle rise and fall	5-9
Spindle assembly	5-11
Motor mounting and belt tensioning	5-13
Loose top piece	5-15
Ring fence	5-17
Side tables and support rails	5-19



1. Front Shaw Guard
2. Front Shaw Guard Locks
3. Top Cover
4. Locks for Top Cover (horizontal adjustment)
5. Rapid Fence Adjustment Lock
6. Fine Fence Adjustment Lock
7. Fence
8. Vertical Spindle Adjustment Handwheel
9. Vertical Spindle Adjustment Lock
10. Front Access Door
11. Brake Release Button
12. Start Button
13. Stop Button
14. Tool/Speed Selection Guide
15. Table
16. Fence Shaw Guard
17. Fence Shaw Guard locks (horizontal adjustment)
18. Fence Shaw Guard lock (vertical adjustment)

FIG 1 MACHINE OVERVIEW



SECTION 1 GENERAL INFORMATION

General Description

The Wadkin BCC Spindle Moulder is a hand fed machine with a fixed precision ground, cast iron work table.

Protruding through the table is a single vertical spindle with an interchangeable loose top piece. These optional top pieces allow for a variety of tooling to be used with a quick change over time.

An automatic brake motor with coned drive pulley is located beneath the table. This motor, via a toothed 'V' belt, provides drive to the coned spindle pulley.

Vertical spindle movement is achieved by rotation of the large hand wheel located on the side of the machine. Fully adjustable guards and fences ensure accurate and safe machining.

General Machining Practices

This machine has been approved for machining wood, plastics and composites. Other materials with physical and technological characteristics similar to wood and for which the chip or particle removal process is similar may be machined but only after consultation and approval of Wadkin Plc.

The correct guarding must always be used and should be adjusted to suit individual machine set ups. Correctly positioned guards prevent access to rotating components when machining.

The type of cutterblock, the cutter projection and the height at which the block is set will determine the minimum size of the hole in the table. Select the loose table rings so as to give the smallest possible hole and thus reducing the risk of the work piece dipping and catching the edge as it passes over the gap.

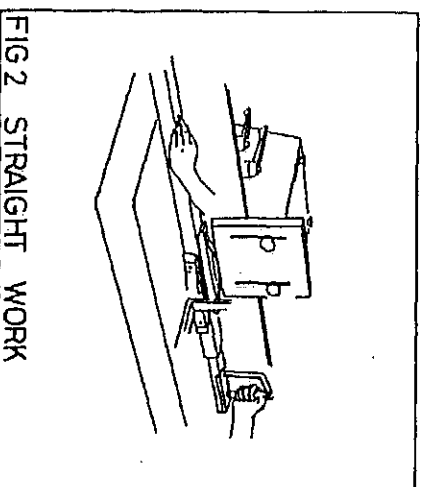
When machining a series of identical components the following piece can be used to feed the previous one but a push stick or handled push block must be used for the final piece.

Straight work

Machining of components of this type generally extends over the full length of the workpiece which are normally of rectangular section.

The workpiece can therefore be guided in the angle formed by the table and the straight fence.

Vertical and horizontal 'shaw' pressure pads should be arranged to form a tunnel through which the workpiece can be fed.



Stopped work

This is where a cut extends over part of a straight length of the workpiece with the cutters breaking into the solid face instead of starting the cut at the beginning or having started at the beginning breaking out before reaching the end. Because individual jigs and guards are needed to suit each component Wadkin machines have not been approved for this type of machining.

Bevel cutting

Wadkin do not supply special jigs or a canting table for the spindle moulders and therefore a profile cutterblock must be used to produce bevels.

Curved work

To machine components of this nature the straight fences and guarding must be removed and the optional ring fence and guarding substituted. The ring fence outer edge is eccentric to the inner bore and this allows for progressive feed on to the tool.

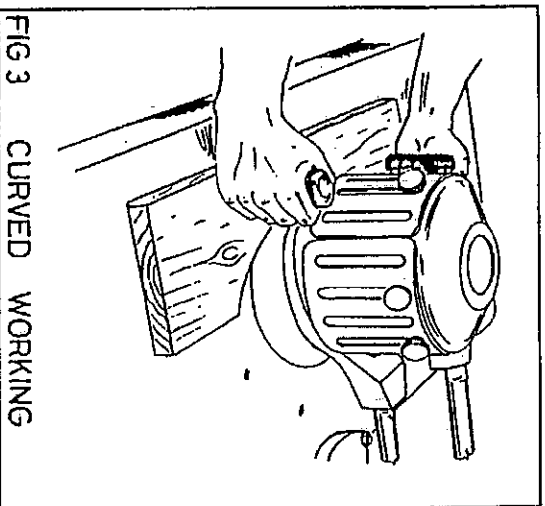


FIG 3 CURVED WORKING

The cutting point where the tool projects the most is marked on the fence with an engraved line.

A shaped fixture or jig should always be used to ensure correct cut profile and more importantly for operator safety.



NOISE EMISSION VALUES

Machine criteria

The **BCC** spindle moulder was assessed for noise emissions as a tree standing machine on a concrete floor, not bolted down and not mounted on any vibration dampening. Flexible piping connected the machine to the main dust extraction.

Material criteria

Material :- Three layer particle board
 Moisture content :- 6-10%
 Material width :- 800mm
 Material length :- 800mm
 Material thickness :- 16mm

Machine cutting criteria

Tooling of diameter 125mm, 25mm wide and with two knives was fitted to the machine spindle. Timber was hand fed into the cutting area at a rate of between 4 and 8 meters per minute with the spindle rotating at 6000 r.p.m. Cutting depth was set at 10mm.

The figures quoted in the noise chart are Emission levels and are not necessarily safe working levels. Whilst there is a correlation between Emission levels and exposure levels, this cannot be used reliably to determine whether or not further precautions are required. Factors that influence the actual level of exposure to the work face include the duration of exposure, the characteristics of the work room, other sources of dust and noise i.e., the number of machines on other adjacent processes. Also the permissible exposure levels can vary from country to country. This information however, will enable the user of the machine to make a better evaluating of the hazard and risk.

NOISE EMISSION CHART

MODEL:- Vertical spindle moulder TYPE :- BCC50HZ 415V		
DECLARED NOISE EMISSION VALUES in accordance with ISO 4871		
Declared A-weighted sound power level (L _{WAD}) in dB re 1p _w	Idling	Operating
79.86		89.65
Declared A-weighted emission sound level (L _{pAe}) in dB re 20uPa at the operators position	81.26	91.05
Environmental correction factor (K)	= 3	
values determined according to specific test code ISO 7960 Annex D		

Working Areas (Fig 4)

The working area shown in the illustrations are for a standard BCC machine and for a machine with optional infeed/outfeed tables and front support rails.

The indicated region is the anticipated area in which the operator will move in. Assistants, such as off loaders, will probably work outside these areas and is dependant on the individual factory layouts.

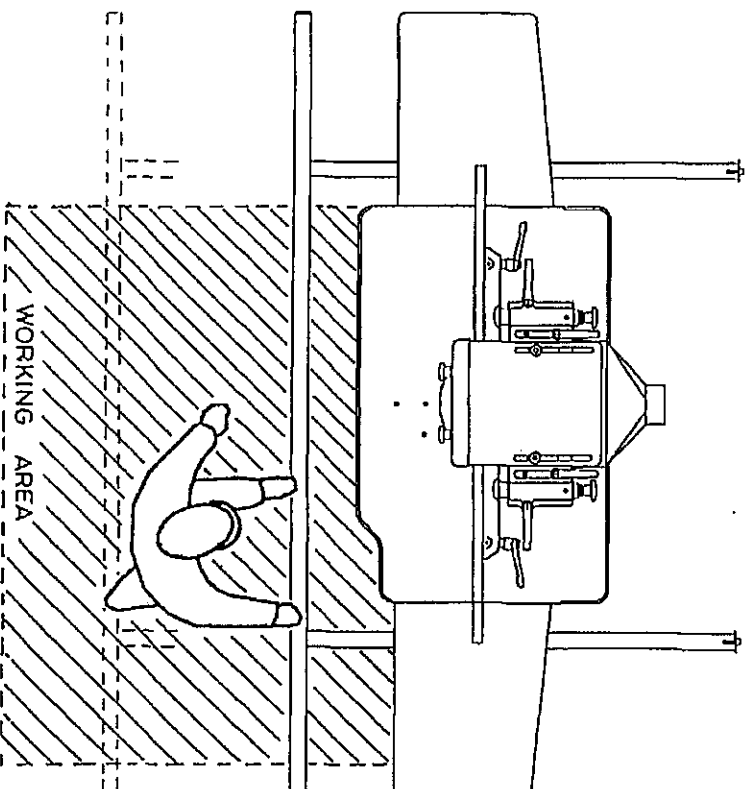
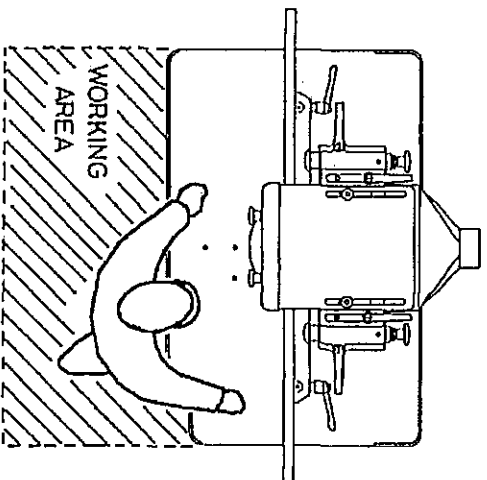


FIG 4 OPERATOR WORKING AREA

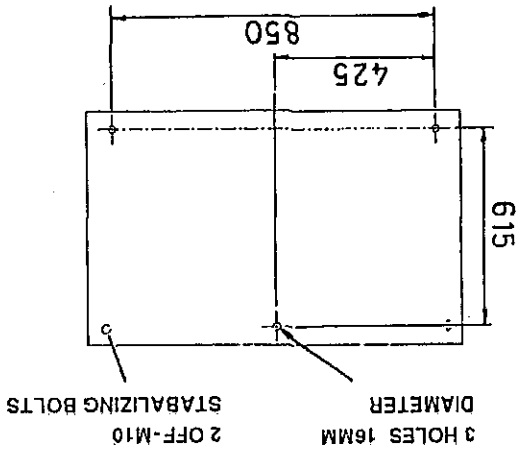
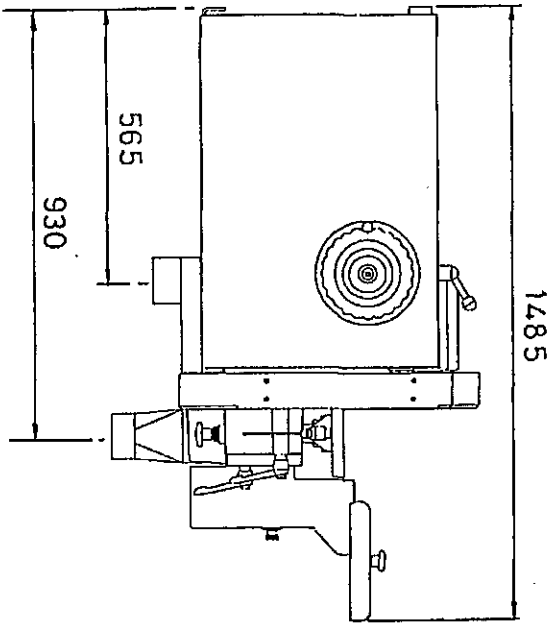
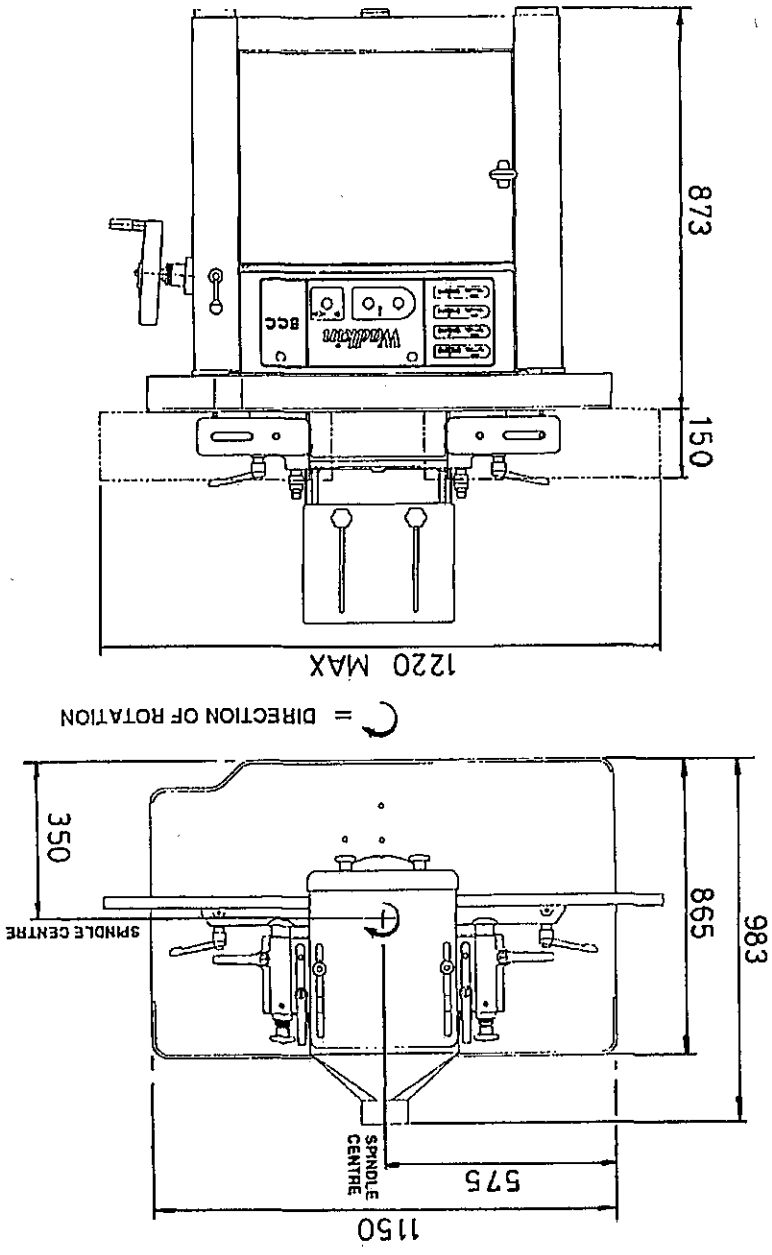


FIG 5 FOUNDATION DIMENSIONS - BASIC MACHINE

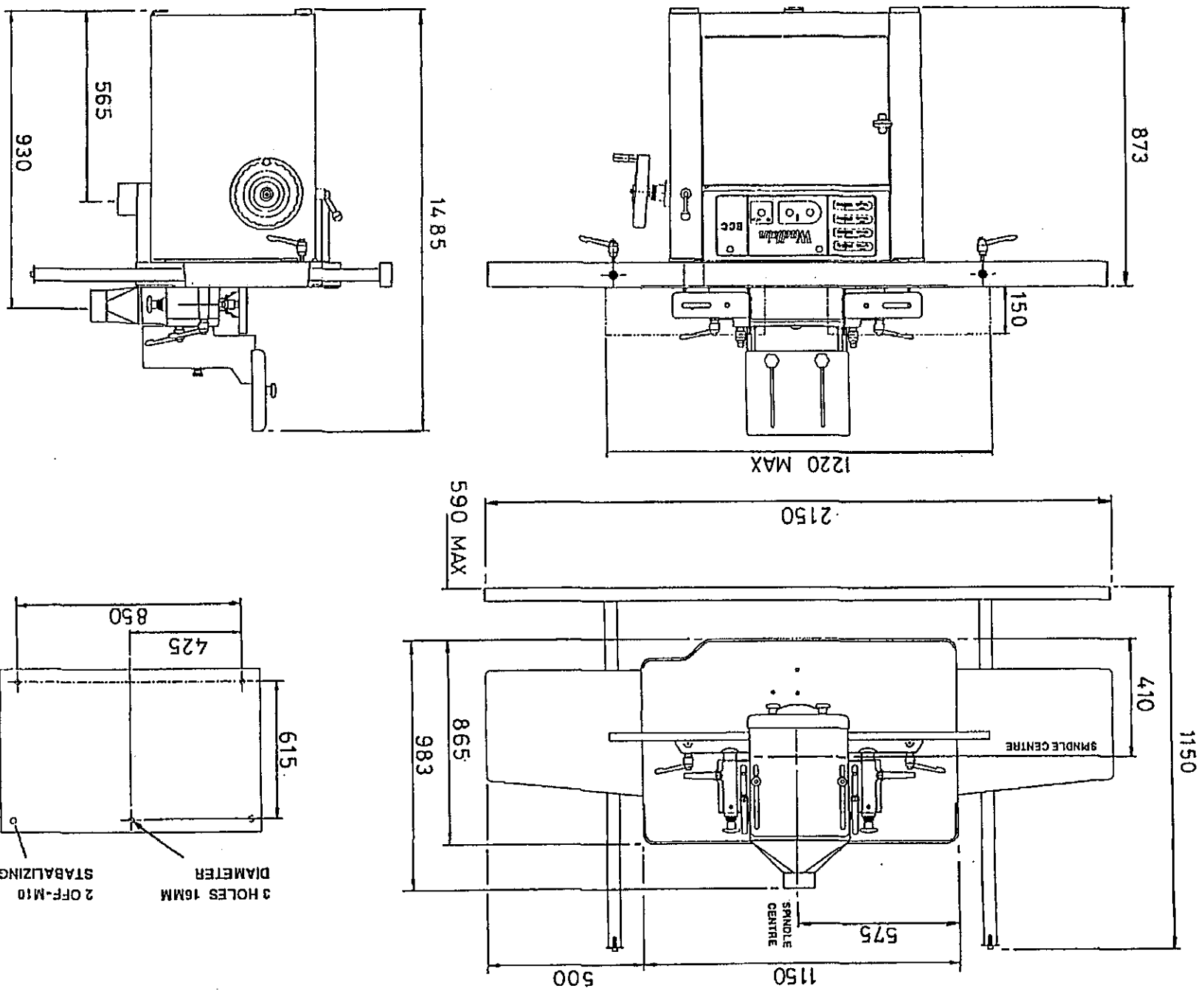


FIG 6 FOUNDATION DIMENSIONS - MACHINE WITH EXTENSION TABLES AND FRONT SUPPORT RAIL



TOOLING REQUIREMENTS

General

Under the European standards tooling used on this machine MUST conform to the following specifications. The machine must not be modified in any way to allow non conforming tools to be used.

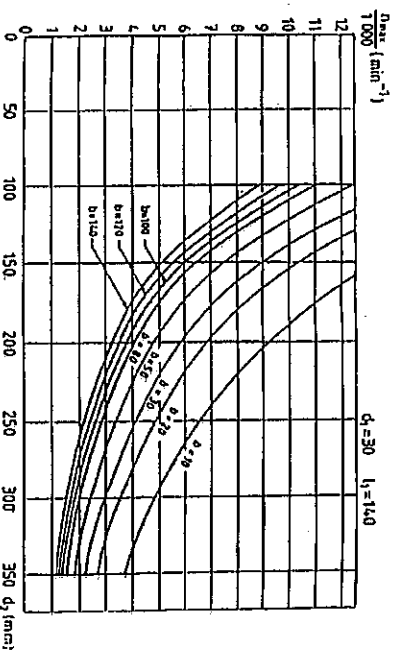
Tool Specifications

The below chart gives the maximum tool diameters for moulding and tenoning using various loose piece spindle sizes.

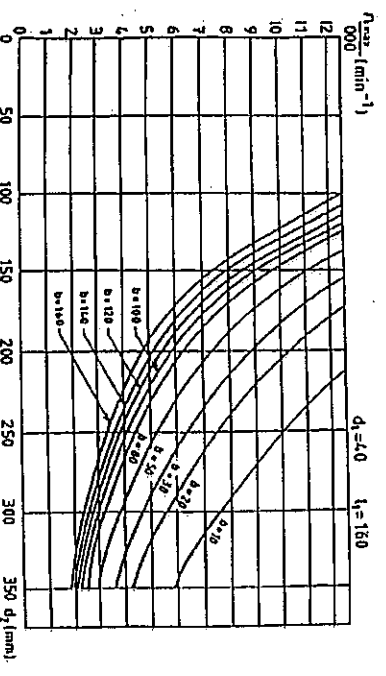
Spindle Dia (mm)	Max length of tool (mm)	Max tool Dia (mm)	Moulding	Tenoning
20	80	150	160	
30 to 39	140	250	300	
40 to 49	160	250	350	
50	160	275	400	

The following graphs have been compiled to facilitate the selection of spindle speed in relation to tool size and spindle diameter. Where a selected spindle speed falls between available machine speeds the nearest lower speed must be selected.

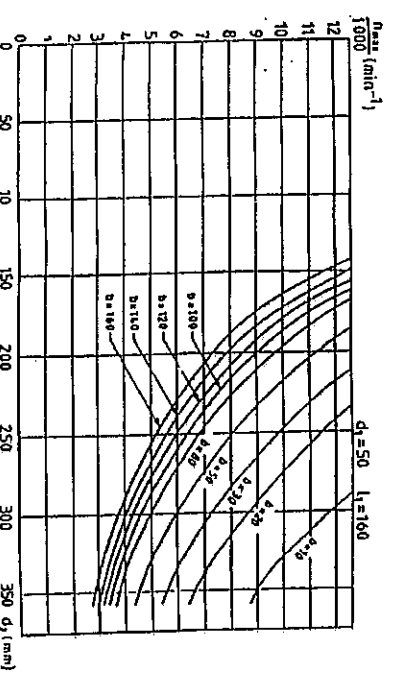
d_2 = tool cutting diameter
 b = length of cut



Graph for a spindle of diameter 30mm to 39mm inclusive and a maximum tool length of 140mm.



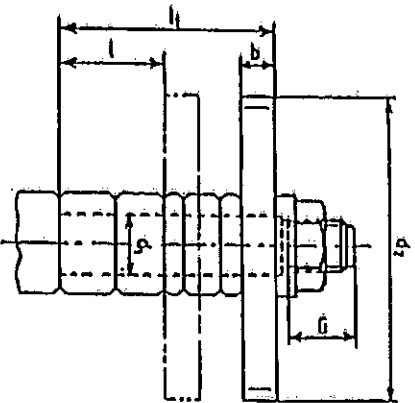
Graph for a spindle of diameter 40mm to 49mm inclusive and a maximum tool length of 160mm.



Graph for a spindle of diameter 50mm and a maximum tool length of 160mm.

To calculate the maximum permissible spindle speed for a tool not represented on the graphs the following formulae can be used.

- G = Length of thread.
 d_1 = Loose piece spindle diameter.
 d_2 = Cutting diameter.
 b = Length of cut or total length of cut when cutting on multiple faces.
 l = Maximum usable length of spindle.
 k = Tool body (steel) = 30,6618 (light alloy) = 52,2819
 n = Revolutions/min.
 l = Tool height setting.



$\Theta_0, \Theta_1, \Theta_2, \Theta_3, \Theta_4, N, B$ at lg are separate relations used to ease calculation.

$$n = \frac{\Theta_2}{\sqrt{2}} 10^3 (\text{min}^{-1})$$

where

$$\Theta_1 = \frac{\Theta_0}{\sqrt{\left(\frac{\Theta_0}{\Theta_1}\right)^2 + 1}}$$

with

$$\Theta_2 = \frac{\Theta_1 \times \Theta_2}{d_2} 10^3$$

$$\Theta_0 = 44,0073 \frac{d_1}{(1+G)^2} 10^3$$

$$\Theta_1 = K \left(\frac{d_1}{d_2} \right)^2 \times \frac{1}{\sqrt{1 - \left(\frac{d_1}{d_2} \right)^2}} 10^3$$

$$\Theta_2 = \left[N^2 \times \frac{b}{d_2} \times \left(\frac{l}{d_2} \right)^2 \right]^{1/2}$$

$$N = \left[(1+B) + \sqrt{(1+B)^2 - (1+B)+1} \right]^{1/2}$$

$$B = 3 \frac{K_0}{d_2} \left(\frac{l}{d_2} \right)^2$$

$$\frac{K_0}{d_2} = \frac{3}{16} \left[\left(\frac{b}{d_2} \right)^2 \times \frac{4}{9} + \left(\frac{d_1}{d_2} \right)^2 + 1 \right]$$

$$\frac{l}{d_2} = \left[\left(\frac{b}{l} \right)^{-1} - 0,5 + \frac{1}{\left[\left(\frac{b}{l} \right)^{-1} - 0,5 \right]^{1,2}} \right] \frac{b}{d_2}$$

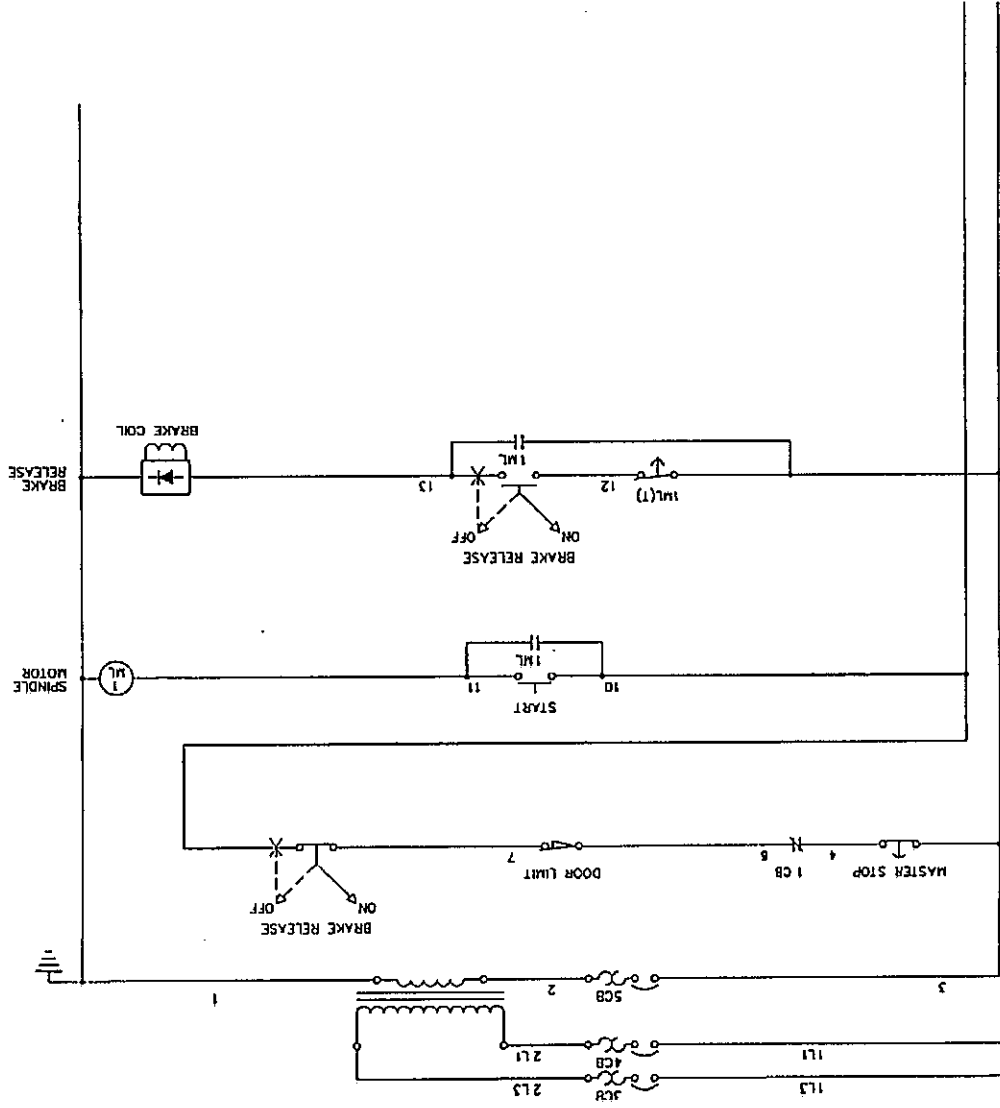


MACHINE SPECIFICATION

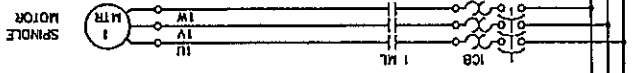
Table size	1150mm x 865mm
Table height	873mm
Table rings, opening diameters	75mm, 110mm, 150mm, 210mm, 280mm, 355mm
Loose top piece diameter (standard) (optional)	30mm 35mm, 40mm, 50mm, 1", 1 1/2"
Maximum usable length for top pieces	140mm across range except for 160mm (50mm diameter top piece) 80mm (1" diameter top piece)
Work spindle taper	No 4 Morse taper
Spindle rise and fall adjustment	150mm
Spindle speeds (r.p.m)	3000, 4000, 6000, 8000
Fence plate sizes	150mm x 510mm
Drive motor power (standard)	5.5Kw (7.5Hp)
Brake	Auto braking
Weight (standard machine)	575Kg
Extraction outlet diameters	100mm
Extraction volume requirements per duct	13 cubic meters (436c.f.m)
Extraction velocity	26m/s



BCC ELECTRICAL DIAGRAM



SPINDLE MOTOR



INCOMING MAINS MUST BE FUSED
M MAINS ISOLATOR

NOTE: -- ALL COILS TO BE SUPPRESSED



SECTION 2 INSTALLATION

Unloading

Ensure that all lifting equipment used is capable of lifting the weight of the machine as a minimum. Refer to Specifications (Section 1) for machine weight.

To lift, place a sling either side of the machine passing under the overhanging table and as close to the main body as possible. Slowly lift the machine ensuring it does not tilt and slings are not slipping.

WARNING DO NOT WALK OR STAND UNDERNEATH A SLUNG MACHINE.

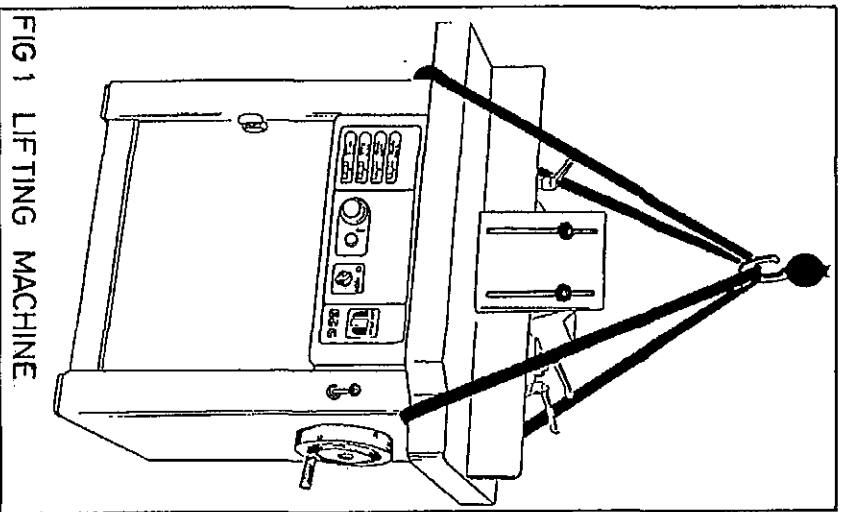


FIG 1 LIFTING MACHINE

Unpacking

Remove the packaging from all the items and ensure that no damage has occurred during transit.

Ascertain that the machine is complete with all fittings, requested accessories and tool kit.

Contents of standard tool kit :-

Hook spanner	for spindle nut
Open ended spanner	46mm A/F
Double ended spanner	17mm/19mm A/F
Compartment lock key	
Push stick (C.E machines only)	

Cleaning

Before levelling the machine remove the anti-rust material particularly from the bright areas. This may be accomplished using a clean soft rag soaked in paraffin. **DO NOT** use a substitute as it may participate an explosion.

Location and Foundation

The machine should be so placed that the traffic of persons and materials to and from the moulder fits smoothly into the general work flow. It should not be sited such that the operator is placed in a possible hazardous position. Adequate clearance around the machine should be provided to cater for intended workpieces.

To obtain the best results from the Wadkin machine it is important that the floor on which the machine is to stand has been levelled and is dry.

The floor may be pre-drilled and anchors already fitted or the machine may be sited and used as a template. Hole positions for fixing are found on the 'machine dimensions illustration'.

NOTE:- The machine must be firmly secured to the floor before machining.



Open the front access door to obtain access to anchor bolts and the two rear stabilizing bolts. The stabilizing bolts should be adjusted until they touch the floor and then fastened in position by tightening the locknuts. Fully tighten the anchor bolts and close access door.

Supplies and Services

Electrical Supply

The customer is responsible for an adequate electrical supply. Details of the power requirements are provided with the machine.

The machine is delivered with its complete electrical equipment ready for connection.

The electrical connection is at the rear of the machine and an electrical schematic diagram can be found in the electrical cabinet as well as within this manual.

POINTS TO NOTE WHEN CONNECTING THE POWER SUPPLY

- A) Check the voltage, phase and frequency correspond to those on the motor plate.
- B) Check the main fuses are of the correct capacity in accordance with the machine nameplate.
- C) Connect the incoming supply leads to the appropriate terminals.
- D) Check all connectors are sound and that equipment is earthed.
- E) Check the spindle rotation:-
When viewed from the front of the machine the rotational direction should be anti-clockwise. If this is incorrect reverse any two of the incoming mains leads after having first isolated the power.

Exhaust Connections
The exhaust connections are located at the rear of the machine. The lower extraction being for the machine base and the upper extraction for the cutter.

Each outlet is 100mm in diameter and should be connected to the main extraction duct by a length of flexible hose.

The volume of air to be extracted at each outlet is 436 c.f.m at a rate of 26 meters per second.



SECTION 3 OPERATING INSTRUCTIONS

Safety and Safety Devices

The safe operation of woodworking machinery requires constant alertness and close attention to the work in hand.

Before operating this machinery carefully read and understand the operational and safety aspects to be observed.

Blunt cutters often contribute to accidents. An efficient machinist knows when sharpening is necessary, but if there is a reluctance to spend time on grinding and resetting, the cutters may run beyond their efficient limits.

Cutters that have 'lost' their edge not only cut inefficiently, they tend to chop and snatch at the workpiece. This lowers the quality of finished work, but more seriously increases the risk of accidents.

A safety device prevents the machine from operating if the front access door is open and at the same time the door cannot be closed if the spindle lock is left engaged.

Note:- The speed stamped on the cutters is their maximum operating speed NOT their normal operating speed at which they should be run.

Before Operating the Machine

Ensure that all guards and fences are securely fitted and correctly adjusted. Guards and other safety devices are NOT to be removed/opened while the machine is in operation. They are there for YOUR SAFETY.

Ensure cutters/blades are the correct type and size for the prevailing machine conditions and workplace.

Check cutters rotate in the correct direction of cut, are sharp and securely fastened.

Remove or securely fasten loose clothing; confine long hair and remove jewellery, etc.

Ensure adequate working space and lighting is provided.

Switch on all dust extraction equipment, ensure it is working correctly.

Check machine is in a safe and secure manner to operate.

It is bad practice to use cutters at the top of the spindle, always fit as low down as possible.

Check that any jigs to be used are robustly made, safe and appropriate for the workpiece and machine.

Check main is 'ON' and isolator at the rear of the machine is 'ON'.

During Machining

Wear suitable protective equipment, e.g. goggles, ear defenders, dust mask.

Stop the machine using the master stop before making adjustments or cleaning wood chips from the work area.

Keep the floor area around the machine clean and free from wood refuse.

Do not allow the floor to become slippery with oil or grease.

Report any machine malfunction or operator hazard to a person in authority immediately. Do not attempt to start or repair the machine unless qualified to do so. The machine must be immediately stopped using the master stop if running.

Ensure all power sources are isolated before commencing any maintenance work.

Comply with the Woodworking Machines Regulations. Failure to do so could result in legal proceedings.

Never leave the machine running whilst unattended.

Do not attempt to operate the machine while under the influence of anything that reduces your alertness.

Machine Controls (Fig 1)

Before attempting to use the machine operators must be familiar with the controls and their usage.

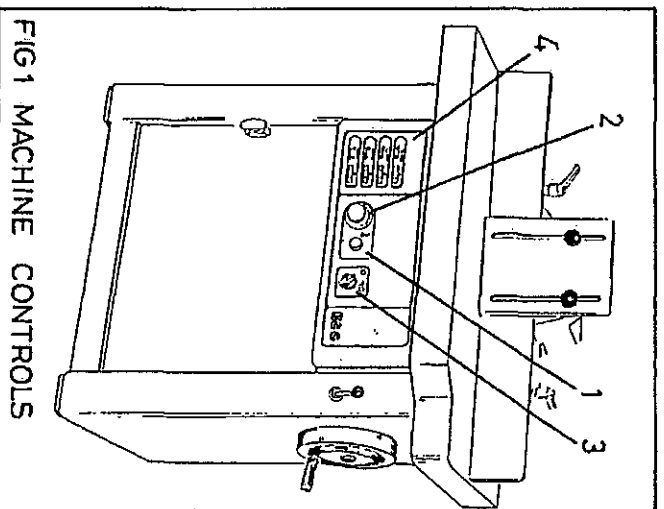


FIG1 MACHINE CONTROLS

The control panel has been designed for the easiest possible use and may contain the following:-

- 1) A green push to start button.
- 2) A large red stop/emergency stop button. When pressed the button remains in and must be turned clockwise to be released. The brakes on the motor are automatically applied to stop the spindle.
- 3) Brake release button:- This MUST only be switched to the release position <- (O) -> when the spindle is stationary and the emergency stop button is in the pressed. Switching to the release position whilst the spindle is running will cause the machine to stop. The machine will not start unless switch is in the brake position 'O'.
- 4) Operators tool to speed selection guide. The three tool diameters given are the minimum, optimum and the maximum. Operators are advised to see the tooling section of this manual for specific recommendations.

False Fences

On a vertical spindle moulder the gap between the two halves of the straight fence has to be wide enough to give clearance for the cutters. This allows exposure of the cutters, the cutterblock, the spindle and in addition the leading end of the workplace may foul the edge of the take-off half of the fence.

The supplied guarding provides protection for general machining of straight work, however by fixing false fences to suit particular machining operations the safety can be greatly increased.



A false fence replacing the supplied permali fence can substantially reduce or even close the fence gap leaving only the cutters exposed.

CHANGING LOOSE WORK SPINDLE AND/OR CUTTER

- 1) Isolate power by pressing emergency stop button. Allow the spindle to come to rest.
- 2) Remove/open guarding to allow clear unimpeded access to the cutter.
- 3) Turn brake release switch to the 'off' position ←(O)→.
- 4) Open access door below the control panel.
- 5) Engage spindle lock by pushing handle (1) in and then turning clockwise until pin (2) engages in the recess (3).

Note:- The lock engages in one of four positions in the spindle and it may be necessary to rotate the spindle by hand whilst pushing handle in to obtain engagement.

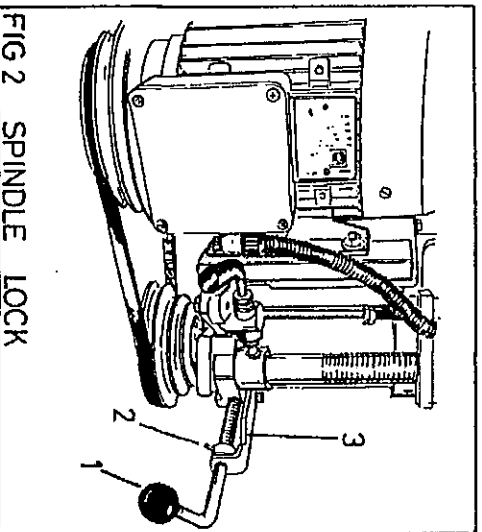


FIG 2 SPINDLE LOCK

- 6) Unscrew and remove top nut on loose work spindle.
- 7) Remove spacers and cutters as required.

- 8) If replacing the cutter but keeping the same spindle then position spacers and cutter to suit the workpiece and reverse procedures (1-6)

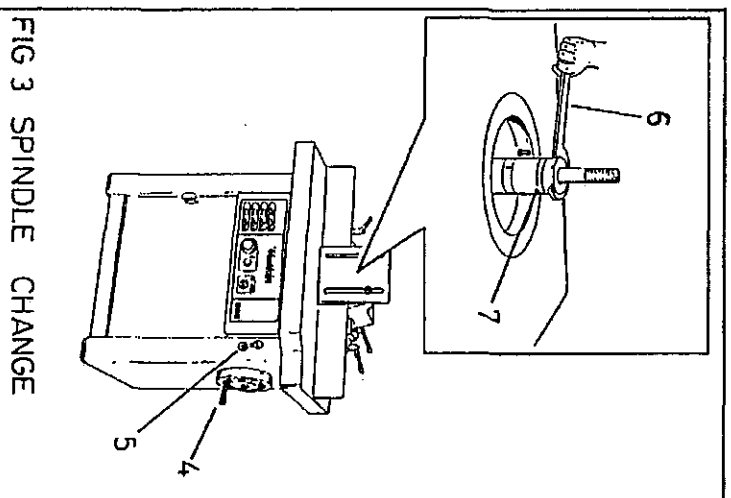


FIG 3 SPINDLE CHANGE

If replacing the loose work spindle then the main spindle must be adjusted vertically. Release lock (5) and using the winding handle (4) adjust spindle until the supplied hook spanner (5) can fit comfortably on the main spindle nut (7). Loosen nut by turning anti-clockwise to unscrew.

- 9) Lift loose top spindle and nut clear.
- 10) Before fitting new top spindle, check that both spindle seatings are clean and free from burrs, dirt and rust. Ensure main spindle nut is fully engaged on the work spindle before fitting into the main spindle.



-
- 11) Tighten the main spindle nut.
 - 12) Select ring to suit cutter.
 - 13) Fit new cutter and spacers to suit. Secure with loose work spindle nut.
 - 14) Disengage spindle lock and close access door.
 - 15) Check and alter if necessary, spindle speed, spindle height fences, etc.
 - 16) Engage brake motor.
 - 17) Replace/close all guarding.
 - 18) Release emergency stop button.

MACHINE ADJUSTMENTS

Top Guard Opening (Fig 4)

- 1) Isolate power at master stop and allow spindle to come to rest.
- 2) Slacken off top cover handwheel locks (1).
- 3) Slide cover (2) forwards until locks are behind hinge.
- 4) Open cover.

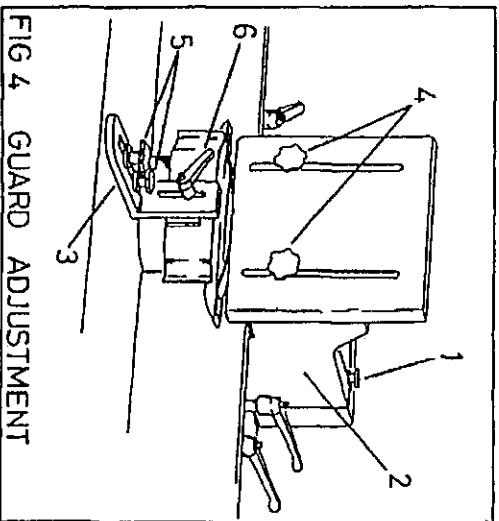


FIG 4 GUARD ADJUSTMENT

Top Cover/Shaw Guard (Fig 4)

- 1) Isolate power at master stop.
- 2) Ensure spindle is at rest before slackening off top cover locks (1).
- 3) Position cover horizontally to give maximum coverage of tool without interfering with the cutter.

- 4) Tighten locks (1).

- 5) Slacken off the top shaw guard locks (4) and position so shaw guard lightly rubs on timber to be machined. Re-tighten locks.

- 6) Restore power if no further alterations are required.

Fence Shaw Guard (Fig 4)

- 1) Isolate power at master stop.
- 2) Adjust vertical height of fence by slackening off locking handle (6) and positioning to suit. Re-tighten handle.
- 3) Laterally adjust fence shaw guard (3) by slackening off the two handwheel locks (5) and adjust so as to lightly rub on machined component.
- 4) Tighten locks (5).
- 5) Restore power.

Straight Fence Adjustment (Fig 5, Fig 6)

If the workpiece IS NOT to be machined across its entire face then the infeed and outfeed fences can be set in line with each other. Where the full face IS to be machined the outfeed fence should be set further forward i.e towards the front of the machine, to suit the new machined surface.

- 1) Isolate power at emergency stop if not already isolated. Allow spindle to come to rest.

- 2) Slacken off both the fence locking handles, position fences clear of the maximum cutting circles and then re-fasten the locks. This will prevent accidental damage to cutters whilst adjusting fences.

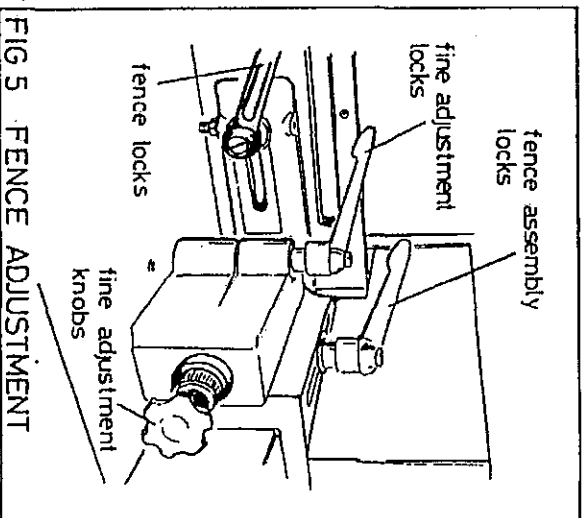


FIG 5 FENCE ADJUSTMENT

- 3) Open guards and place a straight edge along the outfeed fence projecting across the cutter.
- 4) The positional relationship between the outfeed fence and the cutter varies depending on the machining to be carried out.

i) *Full face machining*

Loosen the locking handle for the outfeed fine adjustment. Reposition the outfeed fence using the fine adjustment knob so that the cutter is just touching the straight edge and then tighten the lock.

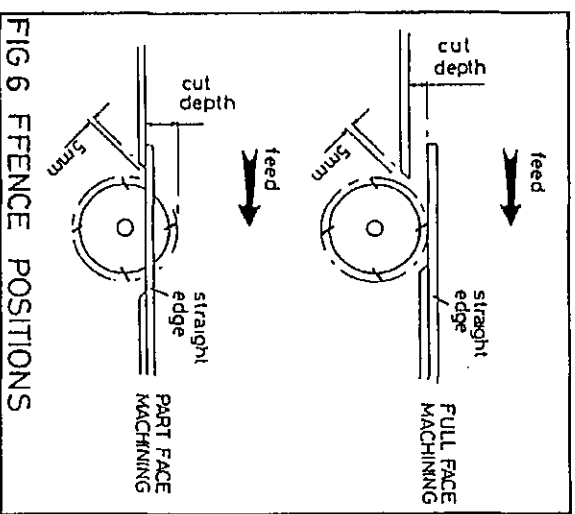


FIG 6 FENCE POSITIONS

ii) *Partial face machining*

Using a rule, measure the distance from the outfeed fence to the maximum cutting diameter. This will be the cut depth.

Loosen the outfeed fence fine adjustment lock and turn the knob until the correct depth is measured. Re-tighten the lock.

If the fence movement is outside the limits of the fine adjustment then the whole fence assembly should be re-positioned. To move the fence assembly slacken off the two locking handles, slide the unit to its new position and re-tighten the handles.

- 5) For partial face machining the infeed fence should be adjusted so as to just touch the straight edge projecting across from the outfeed fence.

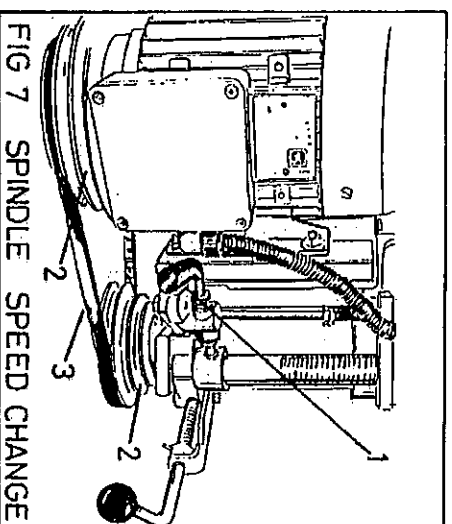
On full face machining a rule should be used to measure the distance from the straight edge to the infeed fence face. This distance will be the cut depth and the fence should be adjusted to suit.

To adjust the fence for either application slacken off the adjustment lock, re-position the fence using the knob and then re-fasten the lock.

- 6) Release both fence locks and adjust until the fence noses are approximately 5mm from the maximum cutting diameter. Tighten locks.
- 7) Close/re-place guards and re-engage power.

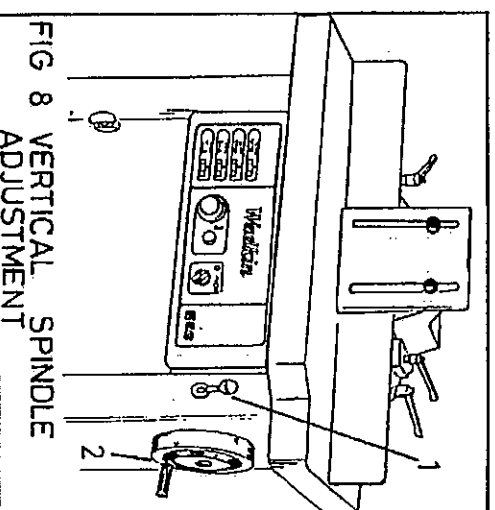
Spindle Speed Change (Fig 7)

- 1) Isolate power at emergency stop if not already isolated and allow spindle to come to rest.
- 2) Disengage brake by turning switch to the 'OFF' position (←(O)→).
- 3) Open lower access door.
- 4) Pull handle (1) forward i.e away from the motor. This releases the tension on the belt by allowing the pulleys (2) to come closer together.
- 5) Position drive belt (3) to suit cutter.
- 6) Tension belt by pushing handle towards motor mounting plate (4).
- 7) Close door and re-engage power.



Vertical Spindle Adjustment (Fig 8)

- 1) Isolate power at emergency stop and allow spindle to come to rest.
- 2) Loosen handwheel lock (1). For setting purposes only it may be found helpful if some of the guarding is opened/removed to permit clear viewing.



- 3) Raise or lower the spindle by turning the handwheel (2) to suit the workpiece or by reading off the digital readout located behind the handwheel (2).

Note:- Whilst the rise and fall movement of the spindle provides immediate adjustment of cutter height, further adjustment outside this range can be achieved by re-positioning the collars on the work spindle. Where avoidable, cutters should not be positioned at the top of the work spindle.

- 4) Tighten handwheel lock (1) when set.
- 5) Re-engage power.

Table Rings Removal/Re-placement

The rings are machined to a fine tolerance to ensure a close fit between each other. To prevent the rings rotating each ring has a pin which locates in the next ring or in the case of the outer ring, the main table. Because of the close tolerances rings must be removed or fitted squarely to the table.

The following sequence of operations must be performed with the power 'OFF' and isolated and with the cutter removed.

- 1) Position guards to allow unimpeded access.
- 2) Release fence plate locks and position fences at their extremities. In this position it is possible to remove or replace either or both of the two inner rings.

- 3) To remove or replace the outer rings the fence locks have to be totally unscrewed and the fences removed (see Section 3-Straight fence adjustment Fig 5).
- 4) Re-fit cutter.
- 5) Replace/re-position Re-position fences and tighten locks.
- 6) Replace guards and reset if necessary.
- 7) Restore power.

Ring Fence - Fitting and Adjustment (Fig 9, Fig 10)

The power must be isolated before proceeding with the ring fence fitting/alteration.

- 1) Remove fence shaw guard (if fitted) by fully unscrewing the two locking handwheels (1) and lifting unit (2) clear.
- 2) Open guard (3).

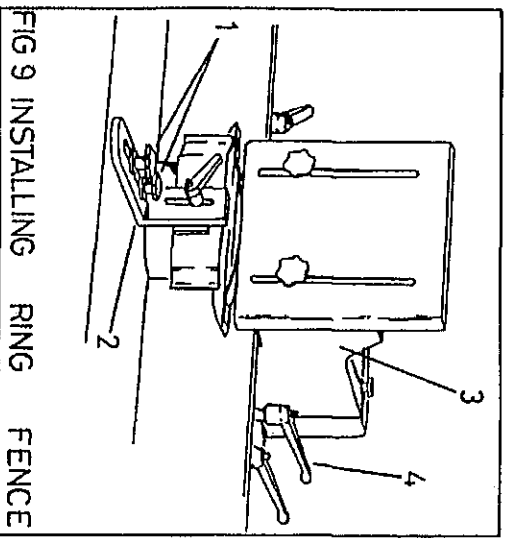
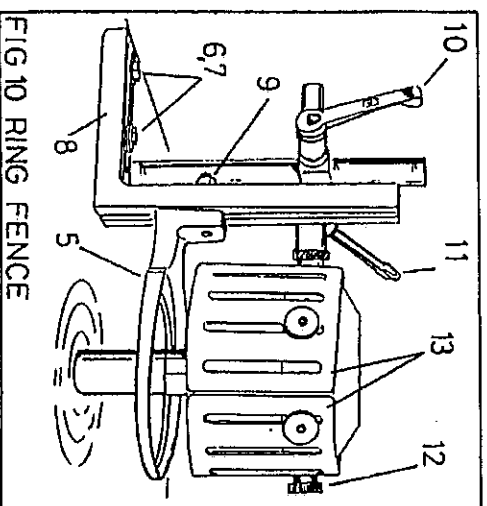


FIG 9 INSTALLING RING FENCE

- 3) Fully unscrew locking handles (4).
- 4) Lift unit clear of table.
- 11) Restore power.
- 12) When re-fitting unit for straight working reverse the procedure.

WARNING:- This unit should not be lifted by a single person unless using mechanical assistance such as a crane.

- 5) Remove cutter and/or work spindle and replace with tooling suitable for proposed machining.
- 6) Carefully place ring fence assembly onto table ensuring ring fence (5) fits over cutter. Secure to table with two M12 setscrews (6) and washers (7) which should only be fastened finger tight at this stage.
- 7) The ring fence has a line marked at the front, this is the 'cutting point'. Adjust the ring fence bracket (8) until the cutter projects beyond the ring fence at the 'cutting point' by the desired amount i.e the depth of cut.
Tighten setscrews (6).
- 8) Slacken off lock (9) and position ring fence (5) vertically to suit workpiece.
Re-tighten when in position.
- 9) Slacken lock handle (10) and (11) and position hood just clear of cutters and just above work spindle.
Tighten handles (10 and 11).
- 10) Slacken hand nuts (12) and position guards (13) to cover maximum amount of cutter leaving only sufficient room for work to pass underneath.
Secure hand nuts (12) when guards are set.





SECTION 4 MAINTENANCE

Scheduled Maintenance

Scheduled maintenance consists of regularly maintaining the machine in a good operating condition, capable of safely producing good quality trouble free work, with the minimum of down time.

This includes tasks such as regular cleaning and lubrication which can and should be performed by the operator.

Much attention has been given to keeping lubrication and maintenance down to a minimum. In consequence the cutterblock spindle has been fitted with permanently lubricated bearings.

Weekly

A common grease nipple (A), is used to lubricate the rise and fall spindle screw and the wormwheel with one 'shot' of Wadkin grade L6 grease from a pump type grease gun. Adjust the screw to its maximum and minimum limits to spread grease and prevent particle build up. Lightly oil, using Wadkin grade L1 oil in a can, the motor pivot and belt tension links (B). DO NOT allow oil to fall onto belt or pulleys.

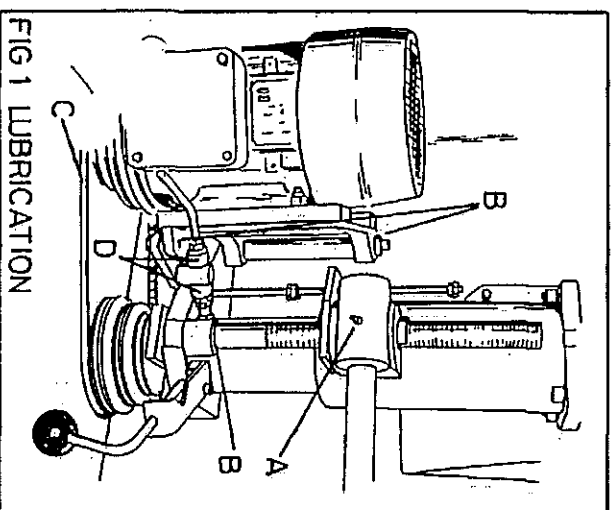
It is recommended that the machine be cleaned thoroughly once a week, especially when working on hardwood or highly resinous material, to prevent choking of ventilator airways and build up of deposits on working parts. Ensure sawdust does not build up around motor and belts.

Clean spindles regularly and remove all remains of resin and grease. Do the same with cutterblock collars, machine table and fences. Check that all machine parts can slide, or rotate freely.

If cleaning with compressed air, take care not to direct the jet into the spindle bearing housing, moving shafts, etc to avoid forcing dust and debris into bearings and housings.

Monthly

Check the condition of drive belt (C) and rubber belt tension buffers (D).



Drive Belt Tension, Adjustment and Replacement (Fig 2)

Before attempting to check/adjust or replace the belt, isolate power at master stop and ensure cutter is stationary.

Checking Belt Tension:

The belt is, at the correct tension when on application of an average thumb pressure of 22-31N (5-7 lb/f), at the belts mid span, it deflects by 8-10mm.

Adjustment

After a period of time the stiffness of the buffers (1) may reduce and this could cause the pulley centres to 'wave'.

If this happens, slightly tighten the locknuts either side by an equal amount to compress the buffers.

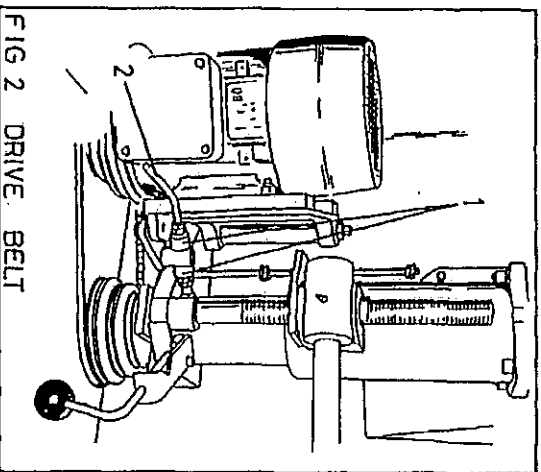


FIG 2 DRIVE BELT

To adjust the belt tension the locknuts behind the buffers (1) should be loosened and the buffers re-positioned to suit the threaded handle (2).

Replacement

To replace a belt follow the procedure described in 'Section 3- Spindle speed changing' except replace the belt instead of re-positioning.

Brake Motor Maintenance (Fig 3)

The friction disc brake in the motor is not adjustable and when it has worn down to such an extent that the brake operating air gap has opened up to 0.65mm (brake de-energised) the disc should be re-placed.

To measure this gap would entail the strip down of the motor and therefore it is more practicable to measure the stopping time. A period significantly greater than the normal 10-12 seconds should be investigated.

Before proceeding isolate power at machine isolator.

Remove any covers or guarding to allow unimpeded access to the motor. Unscrew motor cowl fasteners and pull cowl clear. Remove fan from motor shaft. Plastic fans are normally secured by pins and metal fans by key and/or grub screws. With the fan removed the brake unit should be visible.

To replace the friction disc, the brake must firstly be removed from its mounting by removal of the four fixing screws (1) and withdrawing the brake from the hub. When this has been accomplished, lightly bend back the system locking tabs (4) by about 1mm, (using snipe nosed pliers) this enables the assembly to be separated by contra-rotating the flange (2) and the magnet system (3). The worn disc (5) can then be removed. It will be noted that the friction disc (5) has a protruding boss at one side of the toothed bore, ensure when installing the new disc, that this boss is situated at the mounting flange (2) side of the brake.

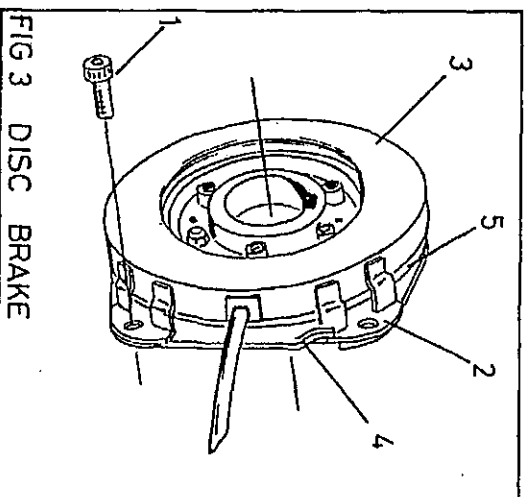


FIG 3 DISC BRAKE



To re-assemble, reverse the dismantling procedure then ensure the locking tabs (4) are fully re-clamped. Visually centralise the disc toothed bore by thumb pressure, then re-mesh onto the brake hub, re-fasten into position by fixing screws (1). Replace fan, cowl and any removed guards or covers, ensuring they are securely fastened where necessary.



APPROVED LUBRICANTS

WADKIN	CASTROL	B.P.	SHELL	MOBIL	ESSO	GULF	CAITEX
L1	Hypdin AMS 32	Energol HLP 32	Tellus 37	DTE oil Light 24	Nuto H32 49 AW	Harmony Oil/HDA	Rando
L2	Alpha ZN 150	Energol HP 150	Vitrea 150 or CS 150	Vactra Extra	Spartan EP 150 Heavy	Service 19	URSA P40
L4	Magna 68	Energol HP 68	Vitrea 68 or CS68	Vactral Oil	Nurray 68 Heavy Medium	Service 51	URSA P20
L6	Spheroil AP3	Energol LS3	Alvania Grease No. 3	Mobilplex Grease No. 48	Beacon 3	Gulfcrown Grease No. 3	Regal Startak Premium 3

L1 Oil Hydraulic oil with anti-corrosion, anti-oxidation, anti wear, anti-foam performance.

L2 Oil Gear oil (viscosity 150 centi-stokes at 40 degrees c).

L4 Oil Plain mineral oil (viscosity 68 centi-stokes at 40 degrees c).

L6 Grease Grease NLG1 No3 consistency lithium bearing grease.



SECTION 5 ILLUSTRATED PARTS LIST

CONTENTS

1. Fence Assembly
2. Fence Guard Assembly
3. Removable Table Rings
4. Spindle Rise and Fall
5. Spindle Assembly
6. Motor Mounting and Belt Tensioner
7. Loose Top Piece
8. Ring Fence
9. Optional Side Tables and Front Support Rail

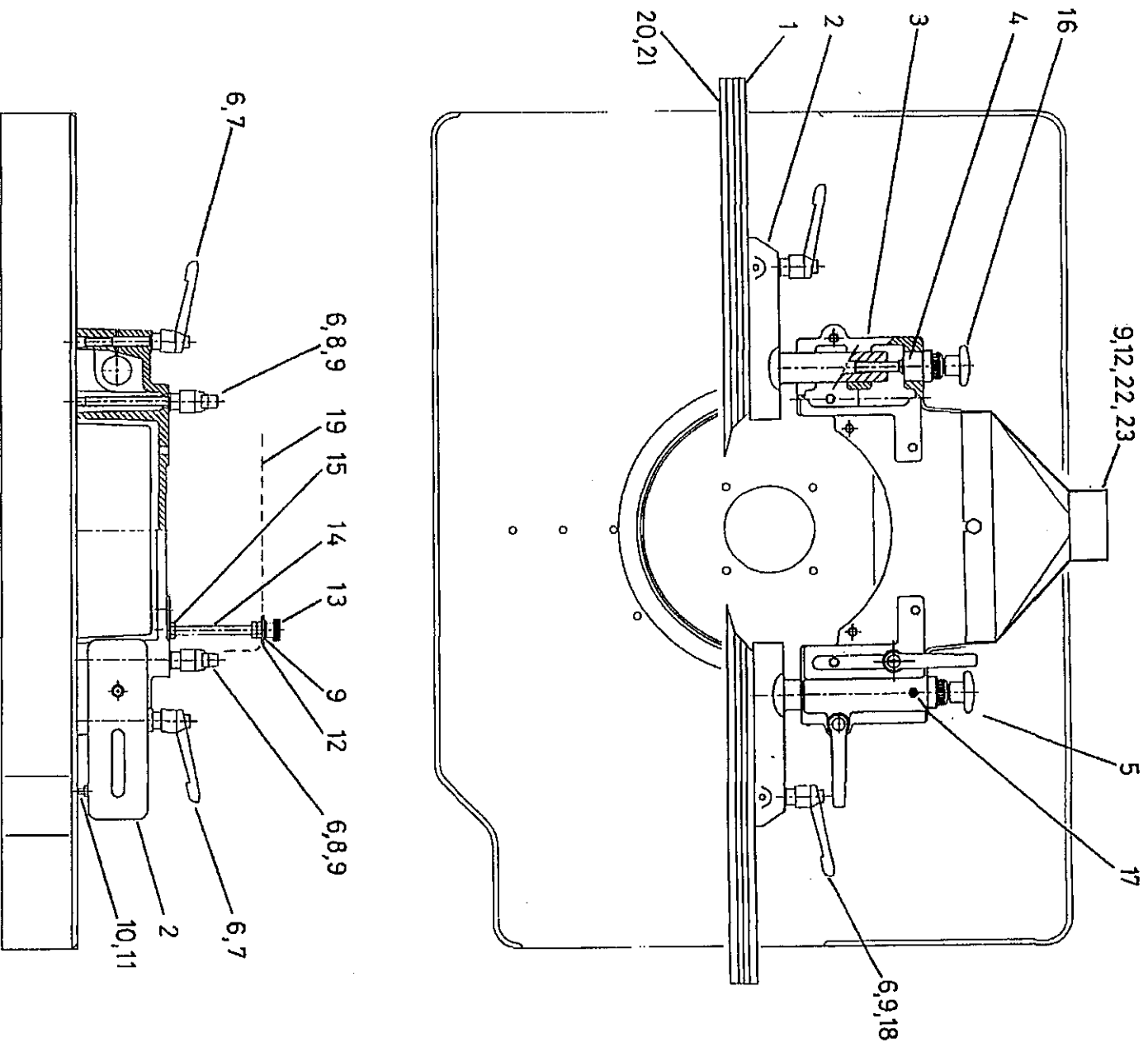


FIG 1 FENCE ASSEMBLY



1. FENCE ASSEMBLY

Ref No	Description	No. Off
1.	Fence plate	2
2.	Fence bracket	2
3.	Fence body	1
4.	Fence adjusting screw assembly comprising of: adjusting screw, collar, bush and 20mm external circlip	2
5.	Collar	2
6.	'Kipp' handle 12mm	6
7.	Stud M12 x 105mm long	2
8.	Locking stud for fence	2
9.	Plain washer M12	7
10.	Brass slotted grub screw M8 x 45mm long	2
11.	Locknut M8	2
12.	Rubber washer	3
13.	Knurled knob	2
14.	Locking stud	2
15.	Locknut M12	6
16.	Handwheel M8	2
17.	Hexagon socket grub screw M12 x 20mm long	2
18.	Stud M12 x 80mm long	2
19.	Top cover (see fence guard assembly)	1
20.	Permal fence	2
21.	Hexagon socket counter sunk screw M8 x 20mm long	12
22.	Dust hood	1
23.	Hexagon head set screw M12 x 25mm long	1

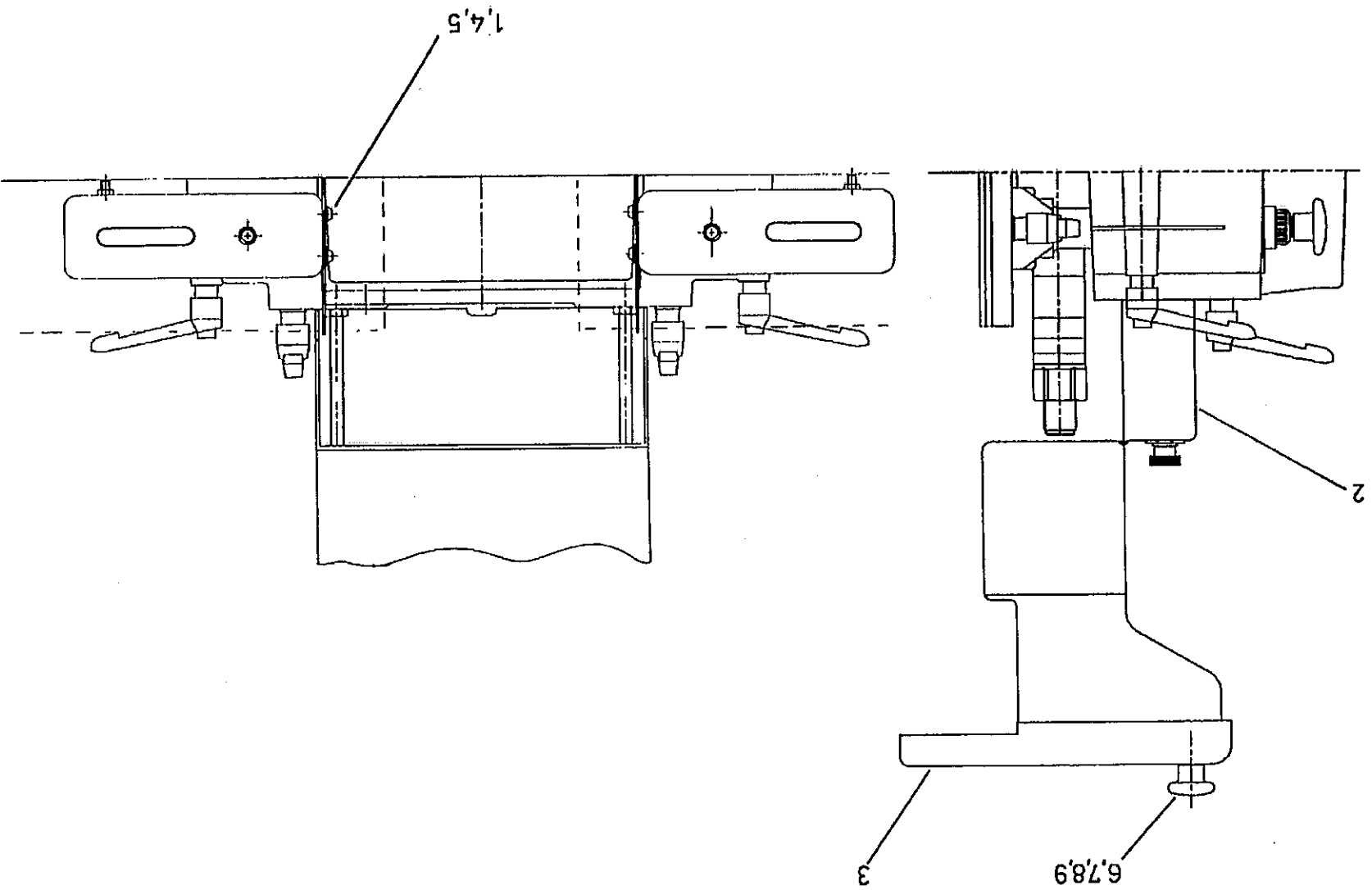


FIG 2 FENCE GUARD ASSEMBLY



2. FENCE GUARD ASSEMBLY

Ref No	Description	No. Off
1.	Chip deflector	2
2.	Top cover	1
3.	Front visor	1
4.	Hexagon socket button head screw M8 x 20mm long	4
5.	Plain washer M8	4
6.	Stud M8 x 30mm long	2
7.	Fibre washer	4
8.	Plastic handwheel M8	2
9.	Plain large diameter washer M8	2

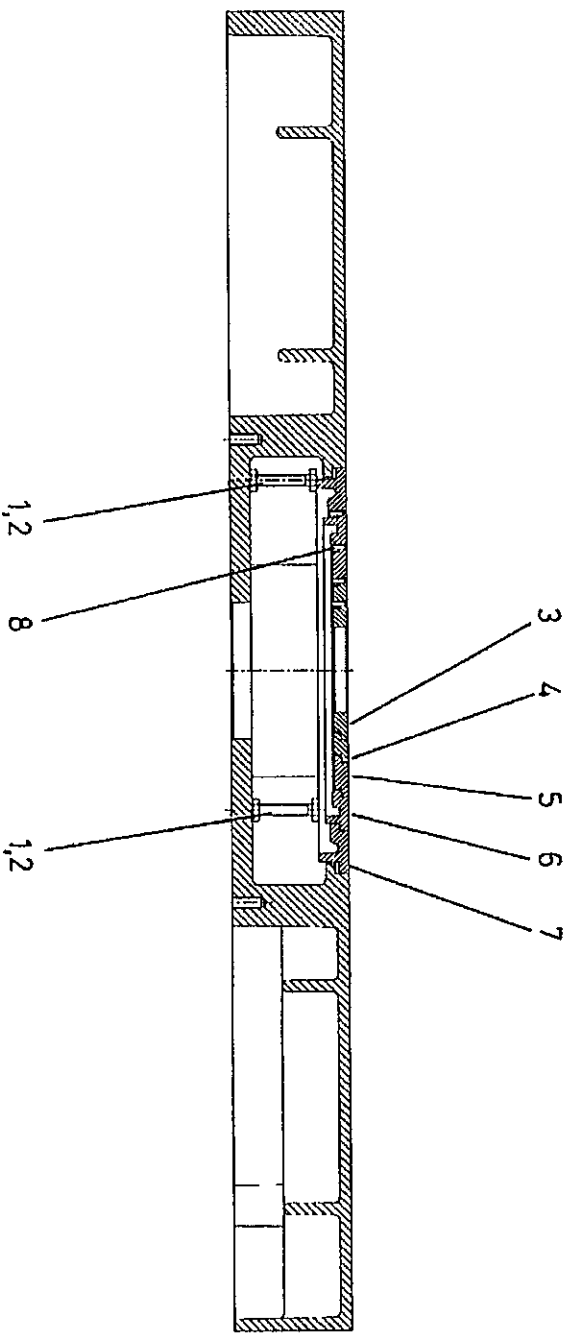


FIG 3 TABLE RINGS



3. TABLE RINGS

Ref No	Description	No. Off
	Levelling screw	3
	Locknut M10	3
1.	Table ring 122mm O/D x 75mm I/D	1
2.	Table ring 162mm O/D x 110mm I/D	1
3.	Table ring 162mm O/D x 110mm I/D	1
4.	Table ring 222mm O/D x 150mm I/D	1
5.	Table ring 222mm O/D x 150mm I/D	1
6.	Table ring 280mm O/D x 210mm I/D	1
7.	Table ring 355mm O/D x 268mm I/D	1
8.	Tension pin dia 3mm x 12mm long	4

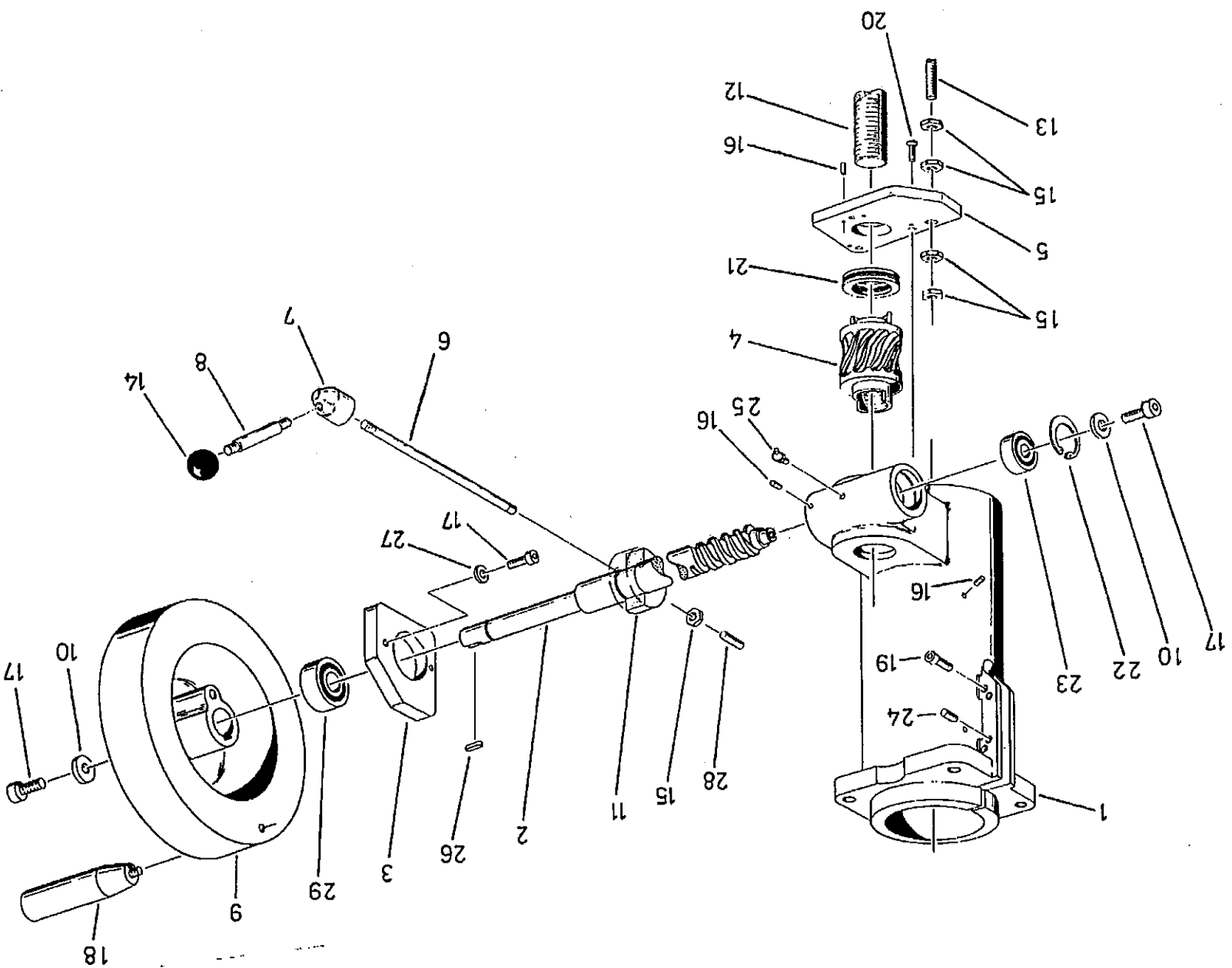


FIG 4 SPINDLE RISE AND FALL



4. RISE AND FALL ADJUSTMENT

Ref No	Description	No. Off
1.	Rise and fall housing	1
2.	Rise and fall handwheel shaft	1
3.	Handwheel bearing plate	1
4.	Rise and fall nut	1
5.	Rise and fall screw thrust plate	1
6.	Rise and fall locking shaft	1
7.	Locking handle boss	1
8.	Stud for locking handle boss	1
9.	Rise and fall handwheel	1
10.	Washer	2
11.	Locking collar	1
12.	Rise and fall screw	1
13.	Rise and fall stop rod	1
14.	M10 ball knob	1
15.	Locknut M10	5
16.	Hexagon socket grubscREW M6 x 10mm long	9
17.	Hexagon socket capscREW M8 x 20mm long	3
18.	Handle M8	1
19.	Hexagon socket capscREW M8 x 35mm long	2
20.	Hexagon socket countersunk screw M8 x 16mm long	3
21.	'SKF' thrust bearing ref. 51107	1
22.	Internal circlip dia 42mm	1
23.	'Nadella' E-bearing ref 6302	1
24.	Hexagon socket grubscREW M8 x 20mm long	2
25.	Grease nipple M6	1
26.	Key 8mm x 7mm x 20mm long	1
27.	Plain washer M8	2
28.	Brass stud M10 x 35mm long	1
29.	'SKF' bearing ref. 6204-2RS	1

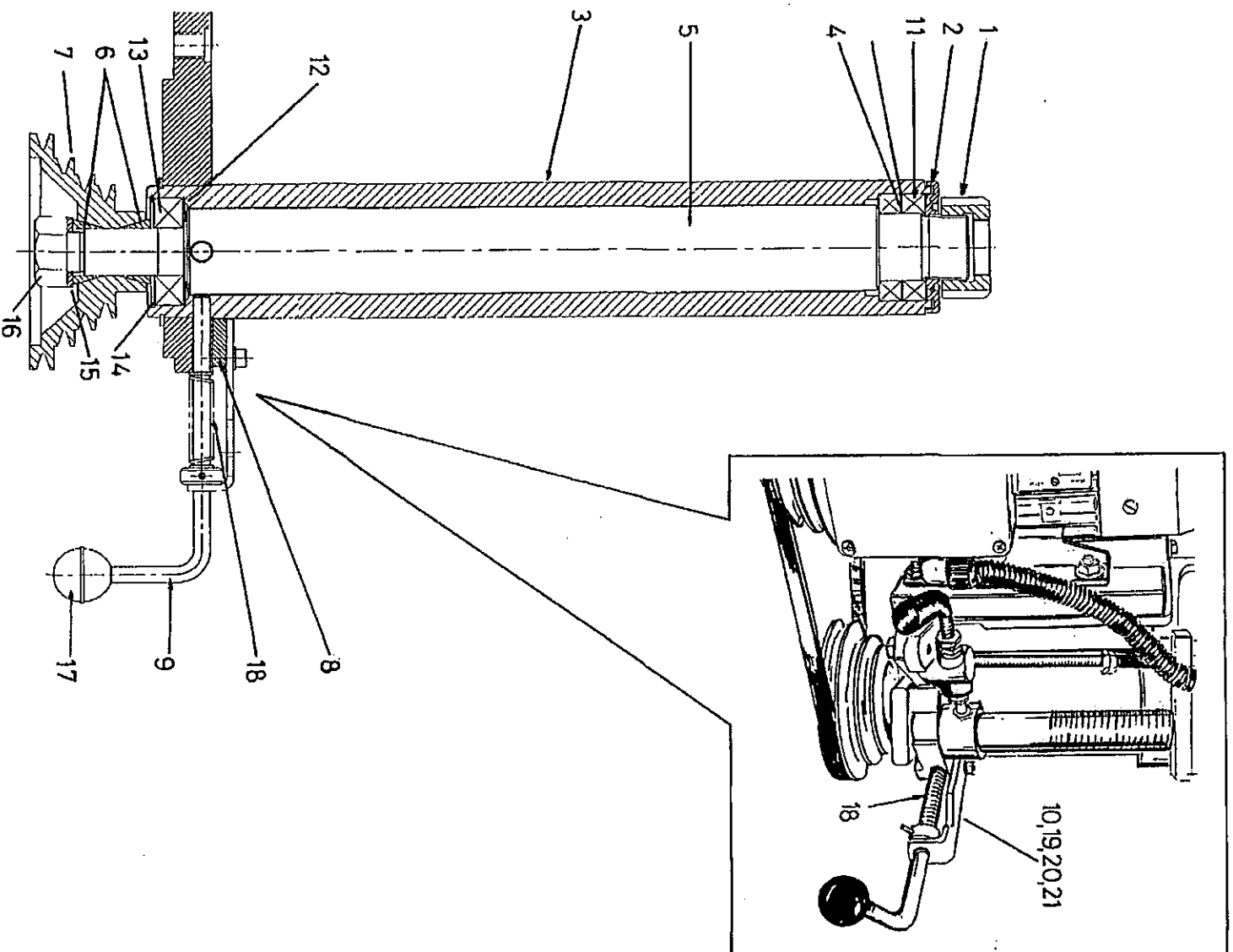


FIG 5 SPINDLE ASSEMBLY



6. MOTOR MOUNTING AND TENSIONER

Ref No	Description	No. Off
1. *	Drive motor	1
2.	Motor platform	1
3.	Motor pivot shaft	1
4.	Motor pulley	1
5.	Motor spindle washer	1
6.	Belt tension handle	1
7.	Belt tension link pivot bush	1
8.	Belt tension link	1
9.	Belt tension pivot boss	1
10.	Belt tension buffer	2
11.	Belt tension handle boss	1
12.	Motor packing piece (left hand)	1
13.	Motor packing piece (right hand)	1
14.	Special washer	1
15.	Nut M10	1
16.	Plain washer M10	5
17.	Self lock nut M10	4
18.	Hexagon socket capscREW M10 x 20mm long	5
19.	Notch nut M20	1
20.	Key 8mm x 7mm x 40mm long	1
21.	Hexagon socket countersunk screw M10 x 30mm long	1
22.	Stud M10 x 35mm long	4
23.	Locknut M12	5
24.	Washer M12	2
25.	Hexagon setscrew M8 x 20mm long	1
26.	Plain washer M8	1
27.	Drive belt ref 'SPZ 1120'	1

* Specify motor size

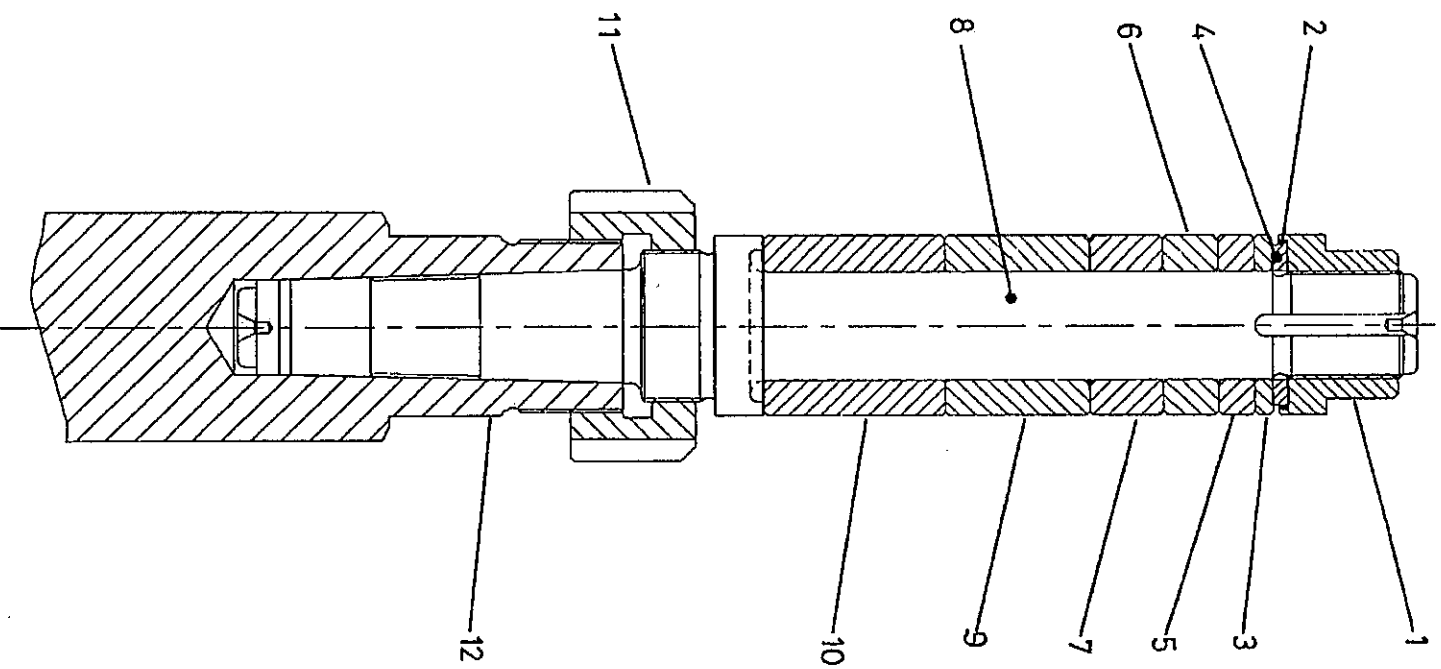


FIG 7 LOOSE TOP SPINDLE



5. SPINDLE ASSEMBLY

Ref No	Description	No. Off
1.	Spindle locking nut	1
2.	Dust cap	1
3.	Spindle barrel	1
4.	Bearing spacer	1
5.	Main spindle	1
6.	Drive cone	2
7.	Spindle pulley	1
8.	Packing block	1
9.	Plunger lock assembly	1
10.	Plunger lock bracket	1
11.	'Kluber' bearing ref C3 6010-2Z	2
12.	Pre-load washer ref EPL 58	3
13.	Bearing ref6307-2Z	1
14.	Internal circlip dia. 80mm	1
15.	Plain washer M30	1
16.	Self locking nut M30	1
17.	Ball knob M12	1
18.	Spring ref ETS 127	1
19.	Plain washer M8	1
20.	Hexagon socket capscrew M8 x 40mm long	1
21.	Hexagon socket countersunk screw M8 x 40mm long	1

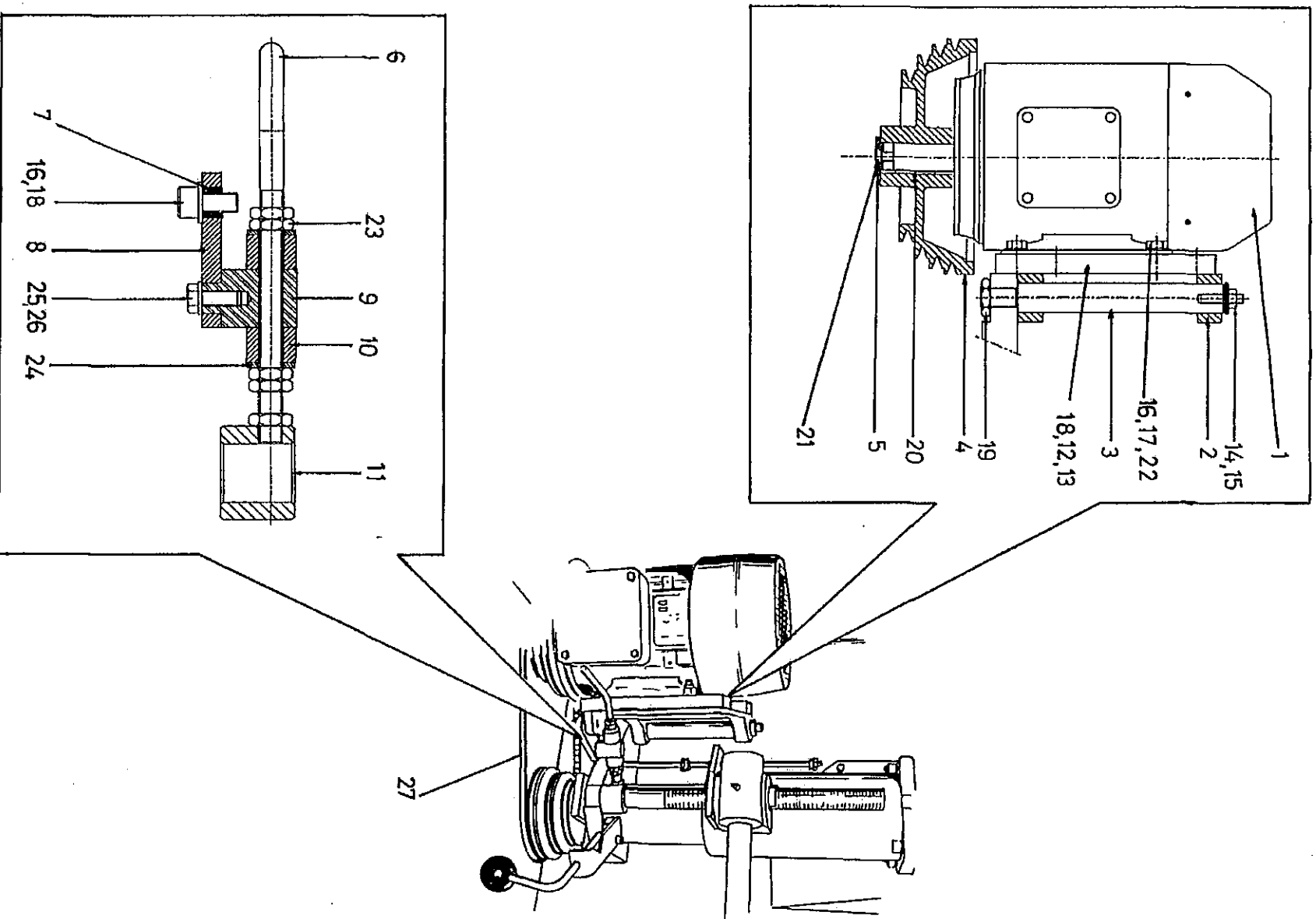


FIG 6 MOTOR MOUNTING AND BELT TENSIONER



7. LOOSE TOP SPINDLE

Ref No	Description	No. Off
1.	Loose spindle nut	1
2.	Retaining clip	1
3.	5mm spacer	1
4.	Spindle nut washer	1
5.	10mm spacer	1
6.	15mm spacer	1
7.	20mm spacer	1
8.	Loose spindle	1
9.	40mm spacer	1
10.	50mm spacer	1
11.	Main spindle nut	1
12.	Main spindle	1

Note: When ordering any of the above parts specify the loose spindle diameter.

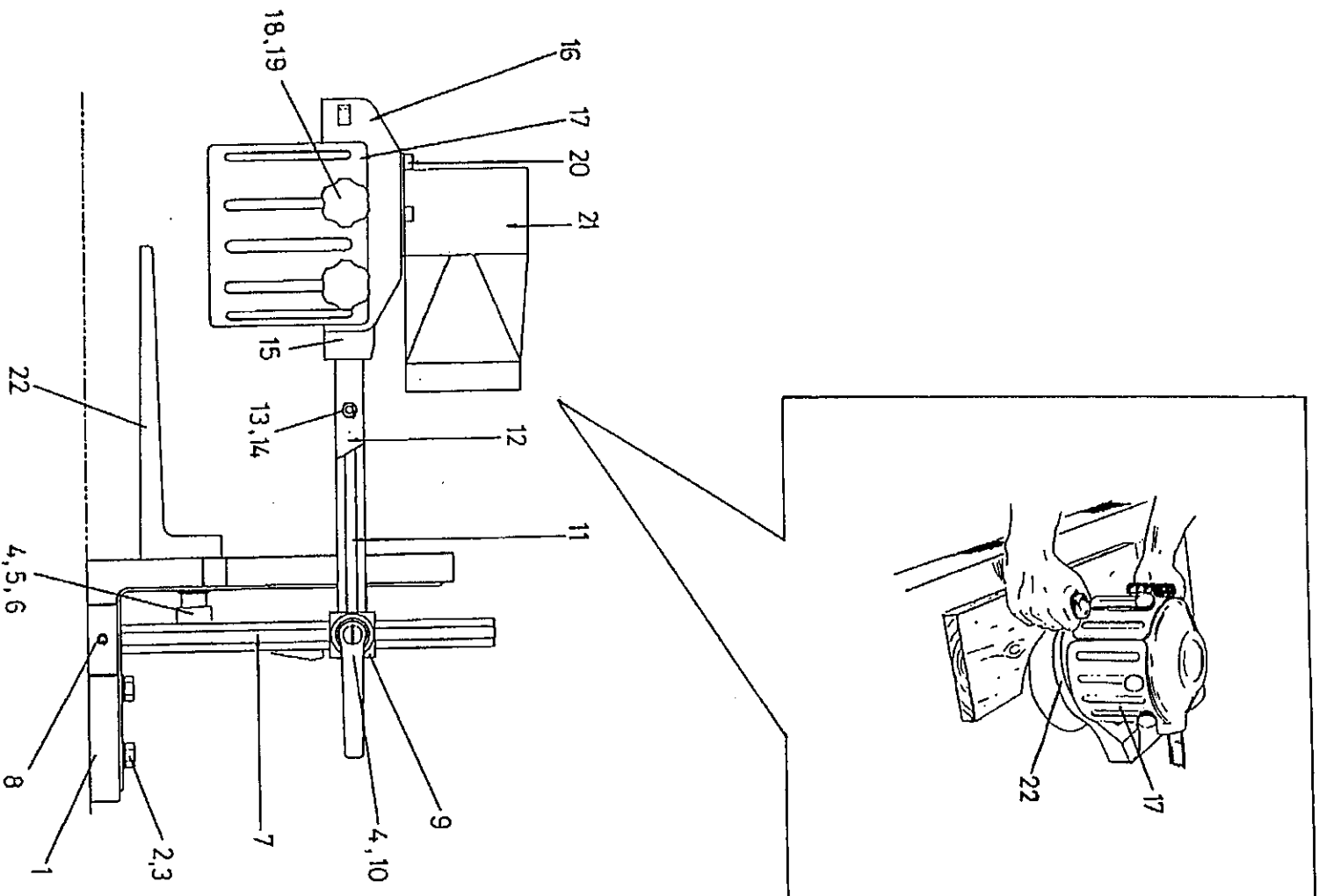


FIG. 8 RING FENCE



8. RING FENCE

Ref No	Description	No. Off
1.	Ring fence bracket	1
2.	M12 x 50mm long hexagon head setscrew	2
3.	M12 plain washer	2
4.	M12 hand lever	3
5.	M12 large diameter plain washer	1
6.	M12 x 80mm long screwed stud	1
7.	Post for ring fence	1
8.	M10 x 15mm long hexagon socket grubscREW	1
9.	Ring fence filboe	1
10.	M12 x 40mm long screwed stud	2
11.	Ring guard shaft	1
12.	Ring guard canting shaft	1
13.	M8 self locking nut	1
14.	M8 x 55mm long screwed stud	1
15.	M10 x 20mm long hexagon socket grubscREW	1
16.	Ring guard	1
17.	Ring guard flap	3
18.	M10 handwheel	6
19.	M10 x 20mm long coach bolt	6
20.	M8 x 10mm long hexagon socket capscrew	3
21.	Ring fence guard/dust chute	1
22.	1 6 3/4" ring fence	1
23.	1 4 1/2" ring fence	1

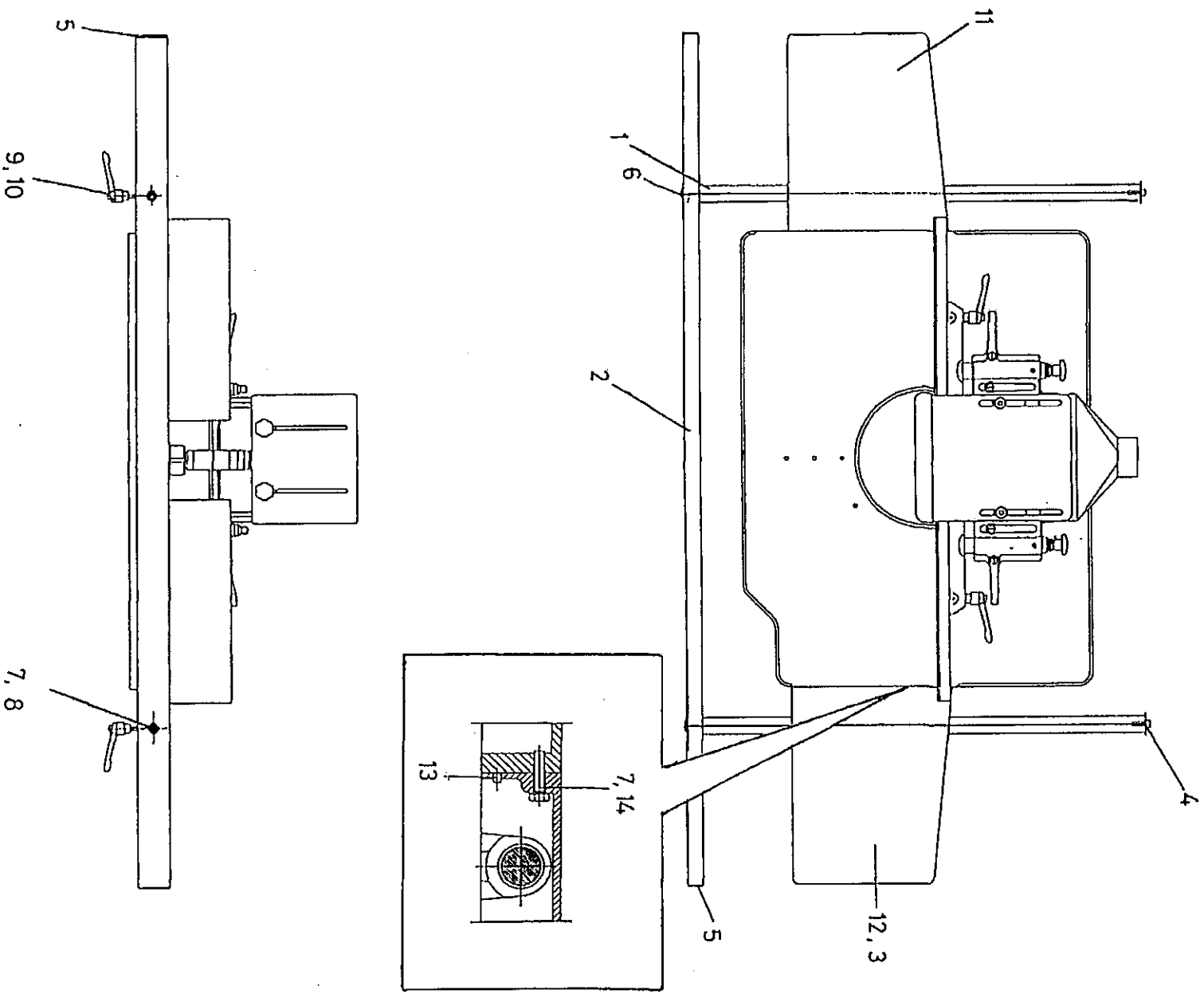


FIG.9 SIDE TABLES AND FRONT SUPPORT RAIL



9. SIDE TABLES AND FRONT SUPPORT RAIL

Ref No	Description	No. Off
1.	Sash support rail	1
2.	Slide bar	2
3.	40mm x 46mm x 50mm oilite bush (under side tables)	2
4.	Stop washer	2
5.	End cap	2
6.	Black plug	2
7.	M10 plain washer	6
8.	M10 x 25mm long hexagonal socket capscrew	4
9.	M10 kipp handle	2
10.	M10 x 65mm long screwed stud	2
11.	Left hand extension table	1
12.	Right hand extension table	1
13.	M8 x 10mm long hexagonal socket grubscREW	4
14.	M10 x 45mm long hexagon head setscrew	4

LIFTING AND TRANSPORTATION

Dimensions and Weight

Length for transportation	1200mm
Width for transportation	1000mm
Height for transportation	1450mm
Weight for transportation	650kg

The wooden spacer blocks secured to the bottom of the machine must also be removed.

Ascertain that the machine is complete with all fittings, requested accessories and tool kit.

Contents of standard tool kit :-

Hook spanner for spindle nut
Open ended spanner 46mm A/F
Double ended spanner 17/19mm
Push stick (C.E machines only)
Compartment lock key

Unloading

Ensure that all lifting equipment used is capable of lifting the weight of the machine as a minimum.

The machine leaves the factory fitted to a wooden pallet or blocks which allows for lifting and movement by a fork lift.

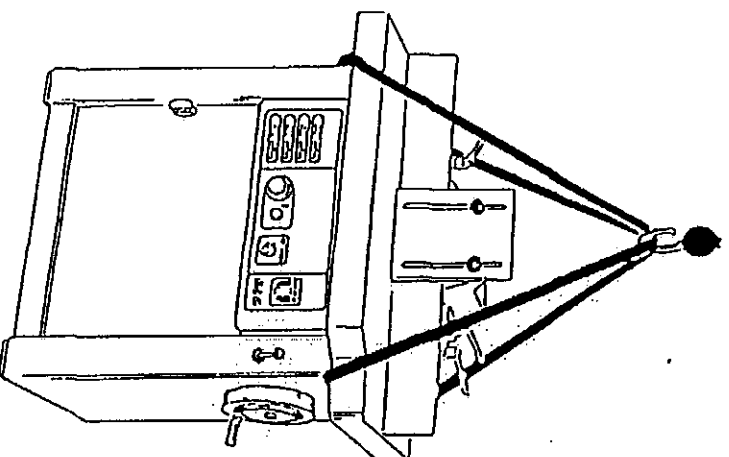
Alternatively it may be crane lifted. To lift, place a sling either side of the machine, passing under the overhanging table and as close to the main body as possible. Slowly lift the machine ensuring it does not tilt and slings are not slipping.

Whilst moving avoid jolting or vibrating the machine.


WARNING:- Do not walk or stand underneath a raised machine.

Unpacking

Remove the packaging from all the items and ensure that no damage has occurred during transit.



BCC

The logo features a stylized white 'W' shape on a black background. The 'W' is composed of two thick, curved strokes that meet at the top and bottom, creating a dynamic, flowing appearance. The word 'Wadkin' is written in a white, serif font, positioned to the right of the 'W' shape.

Wadkin

ULTRACARE LTD.
spares +44 (0)870 850 9114
tooling +44 (0)870 850 9113
service +44 (0)870 850 9112