



ULTRACARE

At the Cutting Edge of Industry

EKA

SINGLE END TENONER

SPARE PARTS BOOKLET



SPARE PARTS BOOKLET

CONTENTS

1. Basic ordering requirements.
2. Sample type order.
3. List of item numbers and description of item.
4. Drawing showing item numbers.

EKA

SINGLE END TENONING
MACHINE

WADKIN LTD., GREEN LANE WORKS, LEICESTER, ENGLAND.

SPARE PARTS

Should spare parts be required due to breakage or wear full particulars including the machine and test number must be given. This information is on the nameplate attached to the machine and will be similar to the picture below.

WESTON Ltd.		
LEESTER ENGLAND		
MACHINE SERIAL NO.	FD 5134	
MACHINE TEST NO.	7:601	
PATENT NO.		
VOLTAG	SPAZ	CYCLES
400	3	50
SEE MAINTENANCE INSTRUCTION BOOK FOR DIMENSION DETAILS		

Please see the next page for sample detail of how to order spare parts.

SAMPLE TYPE ORDER

MACHINE: EKA

MACHINE NO: 1407

TEST NO: 68975

PARTS REQUIRED

1 - EKA497/EKA13 BRAKE SHOE

1 - EKA497/EKA56 SCREW FOR VEE STRIP

1 - EKA497/EKA184 ADJUSTING SCREW

1 - EKA497/EKA254 STUD FOR OPERATING BRAKE

1 - EKA497/EKA336 CLAMP SPRING

EKA SPARE PARTS LIST

EKA497/EKA5	BEARING BRACKET FOR CUTTER CARRIAGE
EKA497/EKA6	BEARING BRACKET FOR CUTTER CARRIAGE
EKA497/EKA10	END COVER FOR BEARING BRACKET
EKA497/EKA13	BRAKE SHOE
EKA497/EKA17/A	SCRIBING CUTTER CARRIAGE
EKA497/EKA18	BEARING BRACKET FOR CUTTER CARRIAGE
EKA497/EKA19	BEARING BRACKET FOR CUTTER CARRIAGE
EKA497/EKA20	END COVER FOR BEARING BRACKET
EKA497/EKA37	TOP SPINDLE CUTTERHEAD
EKA497/EKA38	TOP SPINDLE CUTTERHEAD
EKA497/EKA39	BOTTOM SPINDLE CUTTERHEAD
EKA497/EKA40	BOTTOM SPINDLE CUTTERHEAD
EKA497/EKA47	BRAKE BOX
EKA497/EKA48	END CAP FOR BRAKE BOX
EKA497/EKA49	BRAKE DRUM
EKA497/EKA55	ADJUSTING SCREW FOR CARRIAGES
EKA497/EKA56	SCREW FOR VEE STRIP
EKA497/EKA69	FEATHER FOR CUTTER SPINDLE
EKA497/EKA70	FEATHER FOR CUTTER SPINDLE
EKA497/EKA79	RAISING SCREW FOR TOP CARRIAGE
EKA497/EKA80	COLLAR FOR RAISING SCREW
EKA497/EKA90	DISTANCE SLEEVE FOR SPINDLE
EKA497/EKA95	SPECIAL HEX HEAD SCREWS FOR HOLDING DOWN MAIN FRAME
EKA497/EKA96/A	TOP CUTTER SPINDLE
EKA497/EKA97//A	BOTTOM CUTTER SPINDLE
EKA497/EKA98	KEY FOR BRAKE DRUM
EKA497/EKA99	ADJUSTING SCREW
EKA497/EKA118	CUTTER FOR BOTTOM BLOCK
EKA497/EKA145	SPRING FOR STOP STRIP
EKA497/EKA180	TOP SCRIBING CUTTER SPINDLE
EKA497/EKA184	DISTANCE SLEEVE

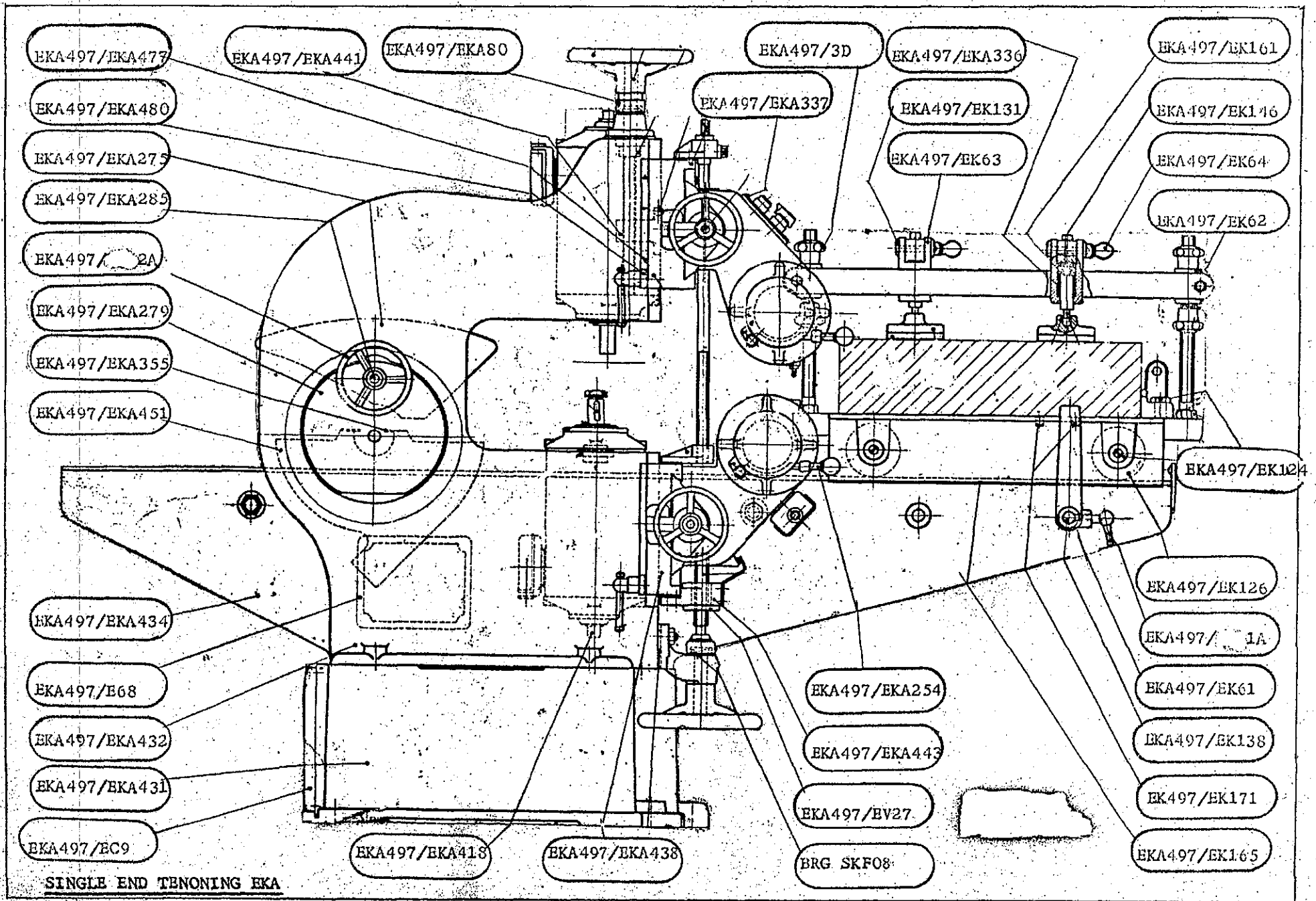
EKA497/EK 134	CROSS BAR FOR CLAMP
EKA497/EK 135	BOLT FOR CLAMP
EKA497/EK 136	SCREW FOR TABLE ROLLERS
EKA497/EK137	TABLE STOP
EKA497/EK138	PIN FOR STOP
EKA497/EK143	SLEEVE FOR STOP
EKA497/EK146	WEAR PAD FOR CLAMP SPINDLE
EKA497/EK150	CUTTERS FOR TOP HEAD
EKA497/EK151	CUTTERS FOR BOTTOM HEAD
EKA497/EK155	SPUR CUTTERS
EKA497/EK161	NUT FOR CRAMP SPINDLE
EKA497/EK162	SPLIT RING
EKA497/EK164	LIP PLATE FOR FRONT TABLE
EKA497/EK165	DUST PLATE FOR FRONT TABLE
EKA497/EK171	GRUBSCREWS FOR FRONT TABLE
EKA497/EK173	PIN FOR SLEEVE FOR STOP
EKA497/EK174	LOCKNUTS FOR SLEEVE FOR STOP
EKA497/EK197	PAD FOR LOCKING SCRIBING SPINDLE
EKA497/EK206/A	BEARING NUT FOR SCRIBING APPARATUS
EKA497/EK233	NUT FOR INTERMEDIATE SLIDE FOR SCRIBING SPINDLE
EKA497/1A	SAW COLLAR
EKA497/1A	TWO BALL HANDLE
EKA497/1B	BALL BEARING LOCKNUT
EKA497/1B	SAW COLLAR
EKA497/2	GREASE RETAINER
EKA497/2A	HANDWHEEL
EKA497/2A	DRIVING PEG
EKA497/2B	BALL BEARING LOCKNUT
EKA497/3	COLLAR
EKA497/3A	BALL BEARING LOCKNUT

EKA497/EKA488	VEE STIP FOR SCRIBERS
EKA497/EKA489	HORIZONTAL ADJ. SCREW BOTTOM SCRIBER
EKA497/EKA490	VERTICAL ADJ. SCREW TOP SCRIBER
EKA497/EKA491	VERTICAL ADJ. SCREW BOTTOM SCRIBER
EKA497/EK7	NUT FOR TOP CUTTER CARRIAGE
EKA497/EK12	BEARING FOR TOP RAISING SCREW
EKA497/EK57	FRONT TABLE
EKA497/EK58	SLIDING TABLE
EKA497/EK59	FENCE
EKA497/EK60	END COVER FOR TABLE ROLLERS
EKA497/EK61	STOP
EKA497/EK62	BEARING NUT FOR CLAMP SCREW
EKA497/EK63	CLAMP BODY
EKA497/EK64	CLAMP HANDLE
EKA497/EK65	STOP FOR FENCE
EKA497/EK70	BACK TABLE
EKA497/EK102	KEY FOR CUTTER SPINDLES
EKA497/EK104	ADJUSTING SCREW FOR TOP CUTTER CARRIAGE SLIDE
EKA497/EK106	PIVOT PIN FOR GUARDS
EKA497/EK117	SPINDLE FOR TABLE ROLLERS
EKA497/EK118	LOCKING SLEEVE FOR SPINDLE FOR TABLE ROLLERS
EKA497/EK120	STOP ROD
EKA497/EK121	STOP STRIP FOR SLIDING TABLE
EKA497/EK122	STUD FOR STOP STRIP
EKA497/EK123	FLAT SCRAPER FOR TABLE WAY
EKA497/EK124	PIVOT PIN FOR FENCE
EKA497/EK126	PLAIN TABLE ROLLER
EKA497/EK128	STAY ROD FOR TABLE WAYS
EKA497/EK130	CLAMP SPINDLE
EKA497/EK131	PIVOT PIN FOR CLAMP
EKA497/EK133	CLAMP POST

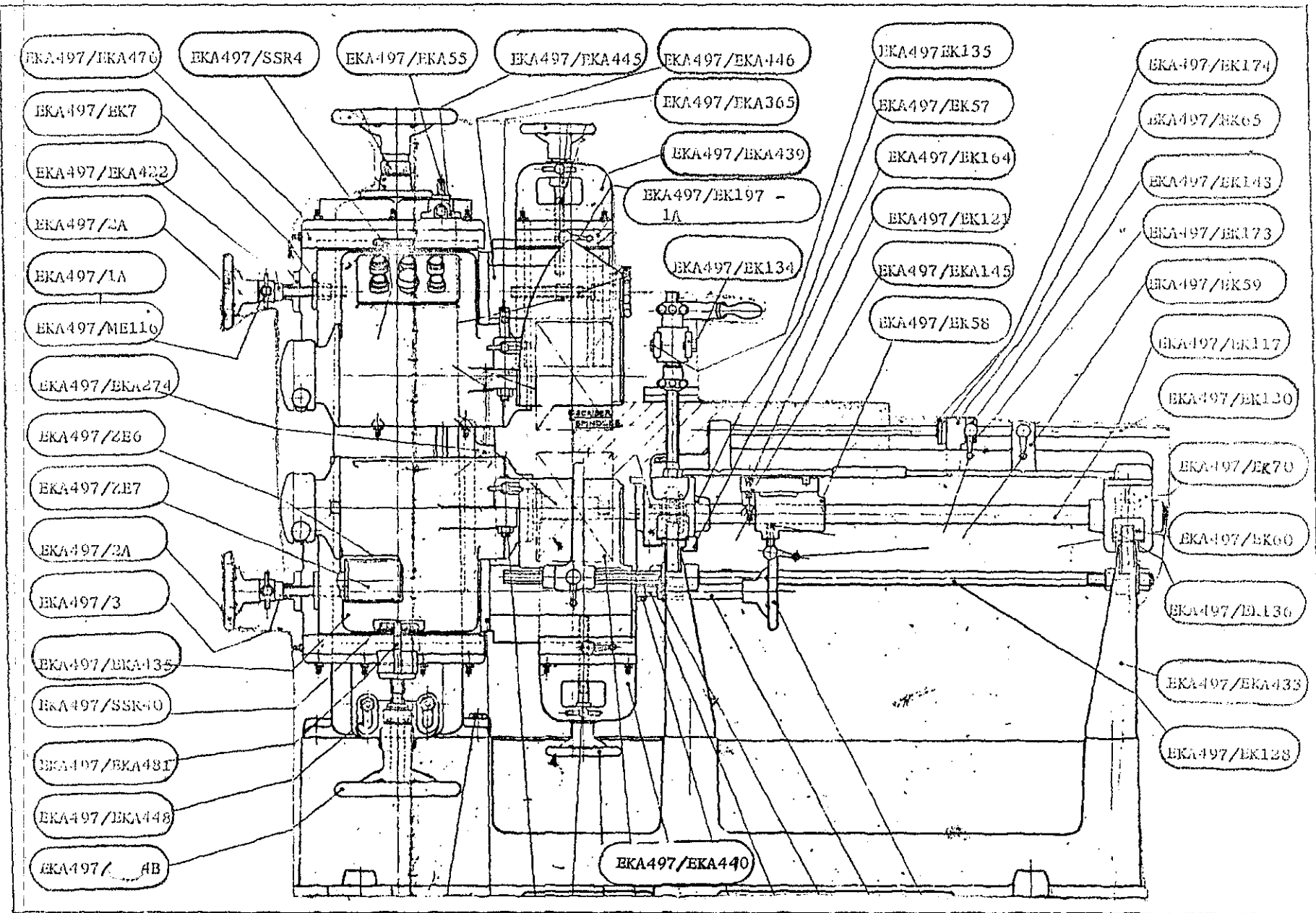
EKA497/3D	STAR HANDWHEEL
EKA497/4B	HANDWHEEL
EKA497/5	COLLAR
EKA497/7A	BALL BEARING LOCKNUT
EKA497/7B	BALL BEARING LOCKNUT
EKA497/11/A	HANDWHEEL
EKA497/17	GREASE RETAINER
EKA497/102	GREASE RETAINER
EKA497/CR4	END CAP FOR TAIL END
EKA497/EV27	NUT FOR RAISING SCREW
EKA497/GM210	FELT WIPERS
EKA497/ME116	PAD FOR CHIPBREAKER ROD
EKA497/ME117	WASHER FOR SPRING BALANCE
EKA497/RD43	PIVOT PIN
EKA497/SKF0.8	BEARING
EKA497/SKFF2209	BEARING
EKA497/SKFF2309	BEARING
EKA497/SKF RL10	BEARING
EKA497/SKF RM8	BEARING
EKA497/SKF RML0	BEARING
EKA497/SKF RML2	BEARING
EKA497/SSR4	BRASS SCALE $3\frac{1}{4}$ " x $\frac{5}{8}$ " x 20 B.W.G.
EKA497/SSR40	BRASS SCALE $3\frac{1}{4}$ " x $\frac{5}{8}$ " x 20 B.W.G.
EKA497/MA497	NUT FOR SCRIBER SPINDLE
EKA497/MA498	NUT FOR SCRIBER SPINDLE
EKA497/MPL407	NUT FOR SCRIBER SPINDLE
EKA497/YK91	BRAKE LINING
EKA497/ZE6	TERMINAL BOX
EKA497/ZE7	TERMINAL BOX COVER

EKA497/EKA366	KEY FOR TOP SCRIBER SPINDLE
EKA497/EKA367	KEY FOR SAW SPINDLE
EKA497/EKA418	BOTTOM SCRIBING SPINDLE
EKA497/EKA421	BALL BEARING LOCKNUT FOR SPINDLE
EKA497/EKA431	BASEPLATE
EKA497/EKA432	MAIN FRAME
EKA497/EKA433	RIGHT HAND SLIDEMAY
EKA497/EKA434	LEFT HAND SLIDEMAY
EKA497/EKA435	BOTTOM TENON CUTTER CARRIAGE
EKA497/EKA436	TOP TENON CUTTER CARRIAGE
EKA497/EKA437	TOP TENON SLIDE
EKA497/EKA438	BOTTOM TENON SLIDE
EKA497/EKA439	TOP SCRIBER SLIDE
EKA497/EKA440	BOTTOM SCRIBER SLIDE
EKA497/EKA441	RAISING NUT FOR TOP TENON
EKA497/EKA442	BRACKET FOR TENON SCREEN
EKA497/EKA443	BRACKET FOR BOTTOM TENON NUT
EKA497/EKA444	NUT FOR BOTTOM TENON
EKA497/EKA445	BRACKET FOR TOP TENON
EKA497/EKA446	SLIDE FOR SCRIBER
EKA497/EKA447	SLIDE FOR BOTTOM SCRIBER
EKA497/EKA448	BEARING FOR BOTTOM RAISING SCREW
EKA497/EKA451	LOWER SAW GUARD FOR CUT OFF SAW
EKA497/EKA475	VEE STRIP FOR SCRIBERS
EKA497/EKA476	VEE STRIP FOR TENON SLIDES
EKA497/EKA477	LIP PLATE FOR VERTICAL SLIDES
EKA497/EKA479	WEAR STRIP
EKA497/EKA480	CLAMP PLATE FOR VERTICAL SLIDES
EKA497/EKA481	POINTER (BOTTOM TENON)
EKA497/EKA482	POINTER FOR TOP TENON
EKA497/EKA483	STRIP FOR BOTTOM CARRIAGE BRACKET

EKA497/EKA185	END COVER
EKA497/EKA186	LOCKNUT
EKA497/EKA187	END COVER
EKA497/EKA188	GUARD FOR BOTTOM C/BLOCK
EKA497/EKA206	HANDWHEEL FOR TOP HORIZONTAL SCRIBER SHAFT
EKA497/EKA208	RAISING SCREW FOR BOTTOM CUTTER CARRIAGE
EKA497/EKA211	CLAMP PLATE
EKA497/EKA212	RUBBER PAD FOR CLAMP
EKA497/EKA216	GUARD FOR TOP CUTTERBLOCK
EKA497/EKA233	HEX COLLAR FOR BOTTOM SCRIBER
EKA497/EKA234	HANDWHEEL SHAFT FOR BOTTOM SCRIBER
EKA497/EKA235	PIN FOR BOTTOM SCRIBER
EKA497/EKA252	NUT FOR SAW SPINDLE
EKA497/EKA254	STUD FOR OPERATING BRAKE
EKA497/EKA256	STOP PIN FOR TOP SCRIBER
EKA497/EKA273	STATOR FRAME FOR CUT OFF SAW
EKA497/EKA274	STATOR FRAME HOUSING FOR CUT OFF SAW
EKA497/EKA275	TOP SAW GUARD FOR CUT OFF SAW
EKA497/EKA278	BEARING HOUSING FOR CUT OFF SAW
EKA497/EKA279	END COVER FOR CUT OFF SAW
EKA497/EKA280	STATOR FRAME NUT FOR CUT OFF SAW
EKA497/EKA281	CUT OFF SAW SPINDLE
EKA497/EKA282	LOCKING STUD FOR CUT OFF SAW
EKA497/EKA283	LOCKING PAD FOR CUT OFF SAW
EKA497/EKA284	STATOR FRAME KEY
EKA497/EKA285	ADJUSTING SCREW FOR CUT OFF SAW
EKA497/EKA286	BEARING END COVER
EKA497/EKA336	CLAMP SPRING
EKA497/EKA337	PUSH BUTTON PLATE
EKA497/EKA355	PLATE FOR SAW GUARD
EKA497/EKA364	BUSH FOR TOMMY BAR
EKA497/EKA365	PIVOT PIN FOR GUARD (TOP TENON)



SINGLE END TENONING EKA



EKA497/EKA476

EKA497/SSR4

EKA497/EKA55

EKA497/EKA445

EKA497/EKA446

EKA497/EK135

EKA497/EK174

EKA497/EK7

EKA497/EKA365

EKA497/EK57

EKA497/EK65

EKA497/EKA422

EKA497/EKA439

EKA497/EK164

EKA497/EK143

EKA497/2A

EKA497/EK197 - 1A

EKA497/EK123

EKA497/EK173

EKA497/1A

EKA497/EK134

EKA497/EKA145

EKA497/EK59

EKA497/ME116

EKA497/EK58

EKA497/EK117

EKA497/EKA274

EKA497/EK130

EKA497/2E6

EKA497/EK70

EKA497/2E7

EKA497/EK60

EKA497/2A

EKA497/EK136

EKA497/3

EKA497/EKA135

EKA497/EKA433

EKA497/SSR40

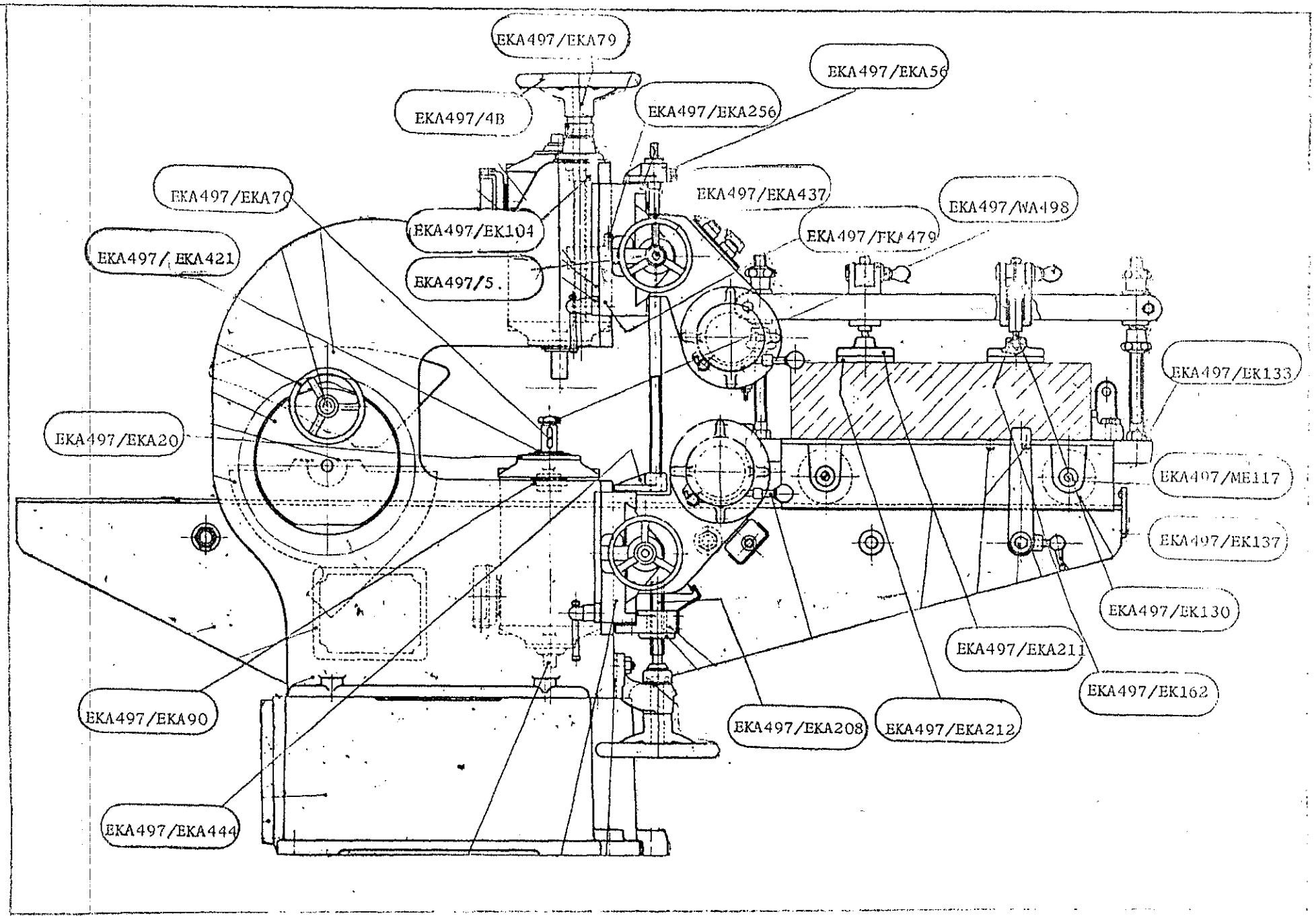
EKA497/EK128

EKA497/EKA481

EKA497/EKA448

EKA497/EKA440

EKA497/AB



EKA497/EKA79

EKA497/EKA56

EKA497/4B

EKA497/EKA256

EKA497/EKA70

EKA497/EKA437

EKA497/WA498

EKA497/EKA421

EKA497/EK104

EKA497/FKA479

EKA497/5

EKA497/EK133

EKA497/EKA20

EKA497/ME117

EKA497/EK137

EKA497/EK130

EKA497/EKA211

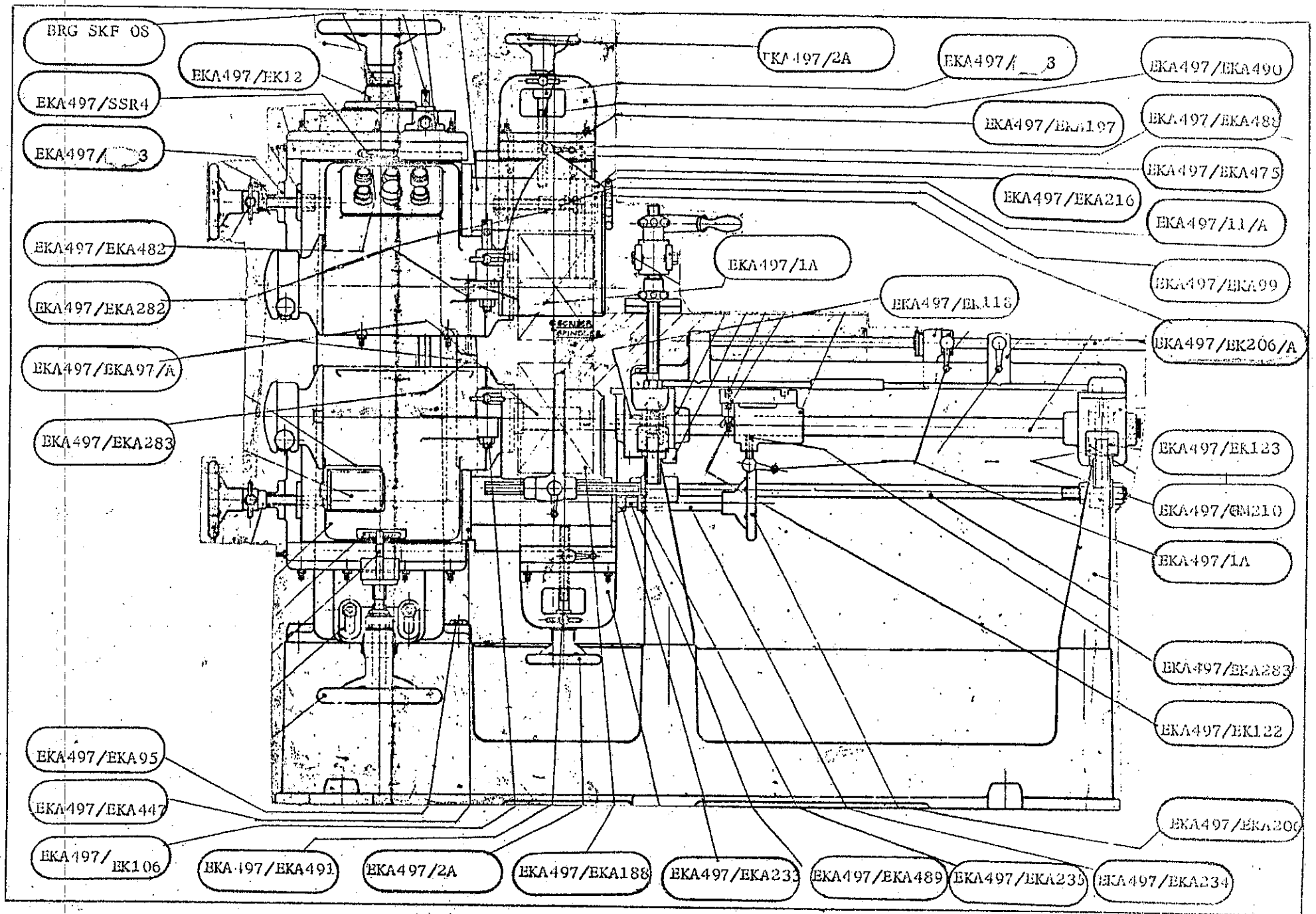
EKA497/EK162

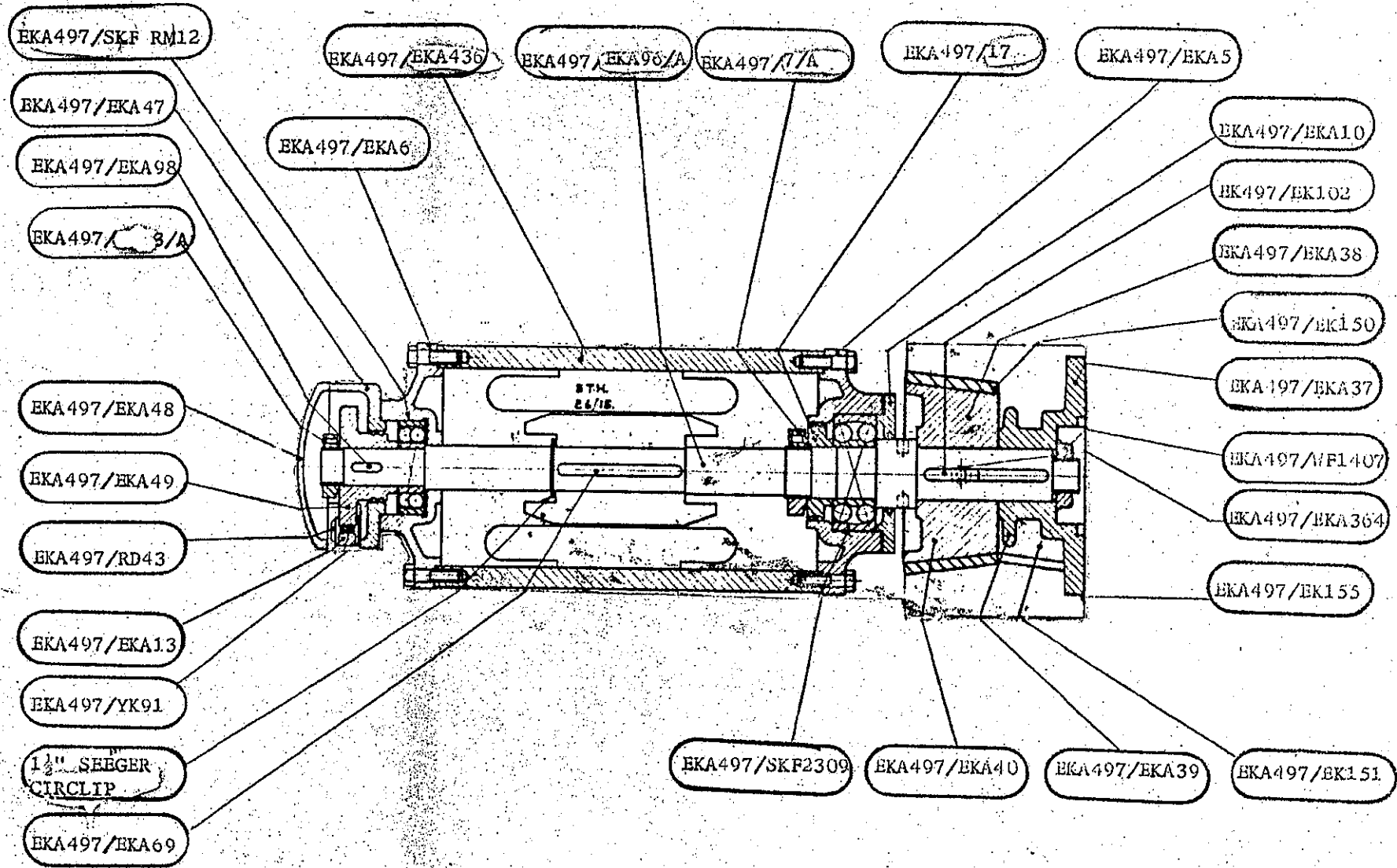
EKA497/EKA90

EKA497/EKA208

EKA497/EKA212

EKA497/EKA444





CROSS SECTION OF TOP TENON SPINDLE UNIT

