



ULTRACARE
At the Cutting Edge of Industry

K23/K25

**THROUGH FEED FOUR
SIDE PLANING
MACHINE**

ILLUSTRATED PARTS LIST

PARTS MANUAL No.2035/1

ILLUSTRATED PARTS LIST - MODEL K23
WADKIN LIMITED, LEICESTER

CONTENTS

PAGE NO.	DESCRIPTION
1	FENCES, BEDPLATES & SIDE GUIDES (LONG INFEED)
2	FENCES, BEDPLATES & SIDE GUIDES (SHORT INFEED)
3	SHORT INFEED TABLE
4	SIDE ROLLER PRESSURE UNIT
5	ANTI-KICKBACK UNIT
6	SPINDLE UNIT
7	FIRST BOTTOM HEAD
8	TOP IDLE ROLLER PRESSURE
9	BELT ARRANGEMENT (NEAR SIDE HEAD/FENCE SIDE HEAD SPINDLE)
10	FENCE SIDE HEAD CARRIAGE
11	NEAR SIDE HEAD CARRIAGE
12	FENCE SIDE HEAD & NEAR SIDE HEAD LATERAL ADJUSTMENT GEARBOX
13	SIDE HEAD LOCKING ARRANGEMENT
14	TOP HEAD ADJUSTMENT
15	TOP HEAD RISE & FALL BEVEL BOX - SHEET 1

NOTE: WHEN ORDERING PARTS, PLEASE QUOTE MACHINE MODEL AND SERIAL NUMBER.

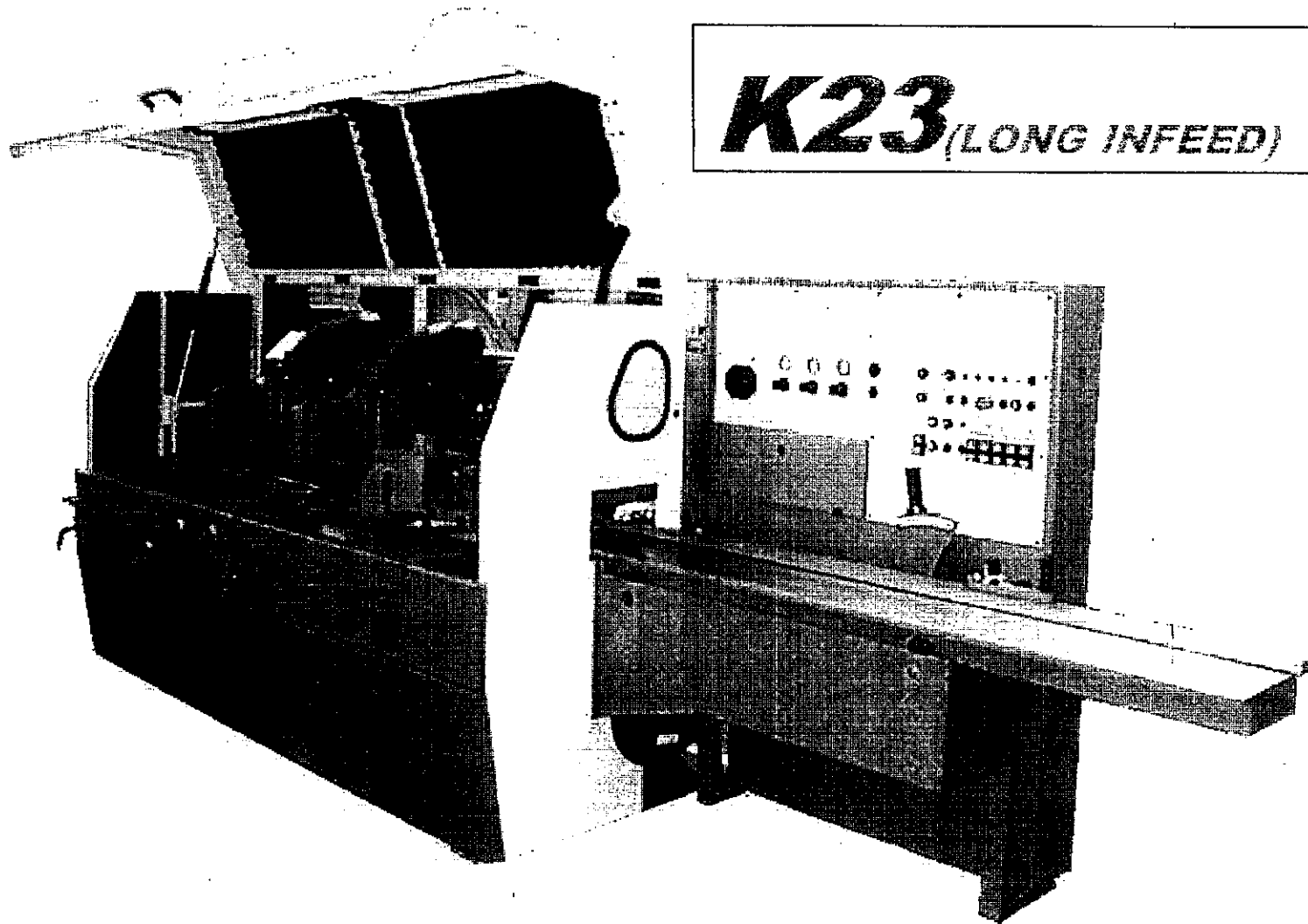
MODEL K23

ILLUSTRATED PARTS LIST

ILLUSTRATED PARTS LIST - MODEL K23
WADKIN LIMITED, LEICESTER
CONTENTS

PAGE NO.	DESCRIPTION
16	TOP HEAD RISE & FALL BEVEL BOX - SHEET 2
17	TOP HEAD RISE & FALL BEVEL BOX - SHEET 3
18	TOP/SECOND BOTTOM SPINDLE AXIAL ADJUSTMENT
19	TOP HEAD CHIPBREAKER
20	TOP HEAD PAD PRESSURE (SINGLE)
21	TOP HEAD PAD PRESSURE (SPLIT)
22	DRIVEN/IDLE BEDROLLER
23	SECOND BOTTOM HEAD ADJUSTMENT
24	BOTTOM HEAD RISE & FALL BEVEL BOX
25	SECOND BOTTOM HEAD BARREL LOCKING
26	BEAM AND GEARBOX ARRANGEMENTS
27	SIMPLABELT Z CONFIGURATION VARIABLE SPEED DRIVE
28	BEAM RISE & FALL BEVEL BOX
29	SHAFT MOUNTED FEEDROLL
30	FLANGED MOUNTED FEEDROLL

K23 (LONG INFEED)

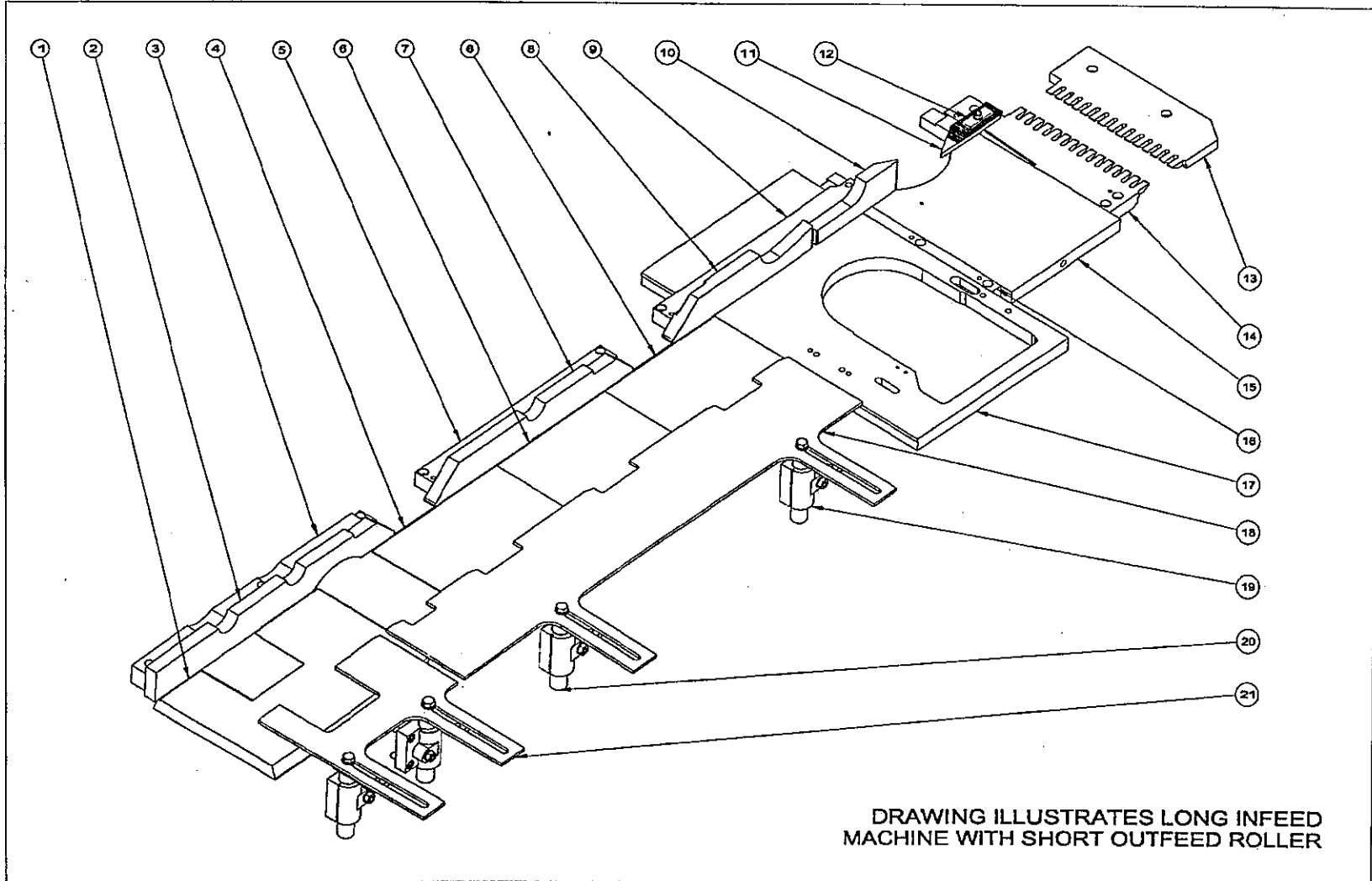


MODEL K23

ILLUSTRATED PARTS LIST

ILLUSTRATED PARTS LIST - MODEL K23
 WADKIN LIMITED, LEICESTER
 DESCRIPTION: FENCES, BEDPLATES & SIDE GUIDES (LONG INFEEED)

REF. NO.	PART DESCRIPTION	QUANTITY
1	BEDPLATE AFTER SECOND BOTTOM HEAD	1
2	FENCE OVER SECOND BOTTOM HEAD	1
3	FENCE SUPPORT, OUTFEED	1
4	BEDPLATE BEFORE SECOND BOTTOM HEAD	1
5	FENCE SUPPORT BETWEEN TOP HEADS	1
6	BEDPLATE UNDER TOP HEADS	2
7	FENCE BETWEEN TOP HEADS	1
8	FENCE BEFORE FIRST TOP HEAD	1
9	FENCE SUPPORT - FENCE SIDE HEAD TO FIRST TOP HEAD	1
10	FENCE NOSEPIECE AFTER FENCE SIDE HEAD	1
11	FENCE NOSEPIECE REBATING	1
12	SERRATED CLAMP PLATE	1
13	LIP PLATE FOR INFEEED TABLE	1
14	BEDPLATE AFTER FIRST BOTTOM HEAD	1
15	FENCE SIDE HEAD BEDPLATE	1
16	BEDPLATE BETWEEN FENCE SIDE HEAD AND NEAR SIDE HEAD	1
17	NEAR SIDE HEAD BEDPLATE	1
18	SIDE GUIDE UNDER TOP HEADS	1
19	FRONT FENCE SUPPORT BRACKET	4
20	VERTICAL SHAFT FOR SUPPORT	4
21	SIDE GUIDE AFTER SECOND BOTTOM HEAD	1



WADKIN LIMITED. LEICESTER

ASSEMBLY PROFILE OF
FENCES, BEDPLATES & SIDE GUIDES

DRAWN BY: S.J.DAVIS

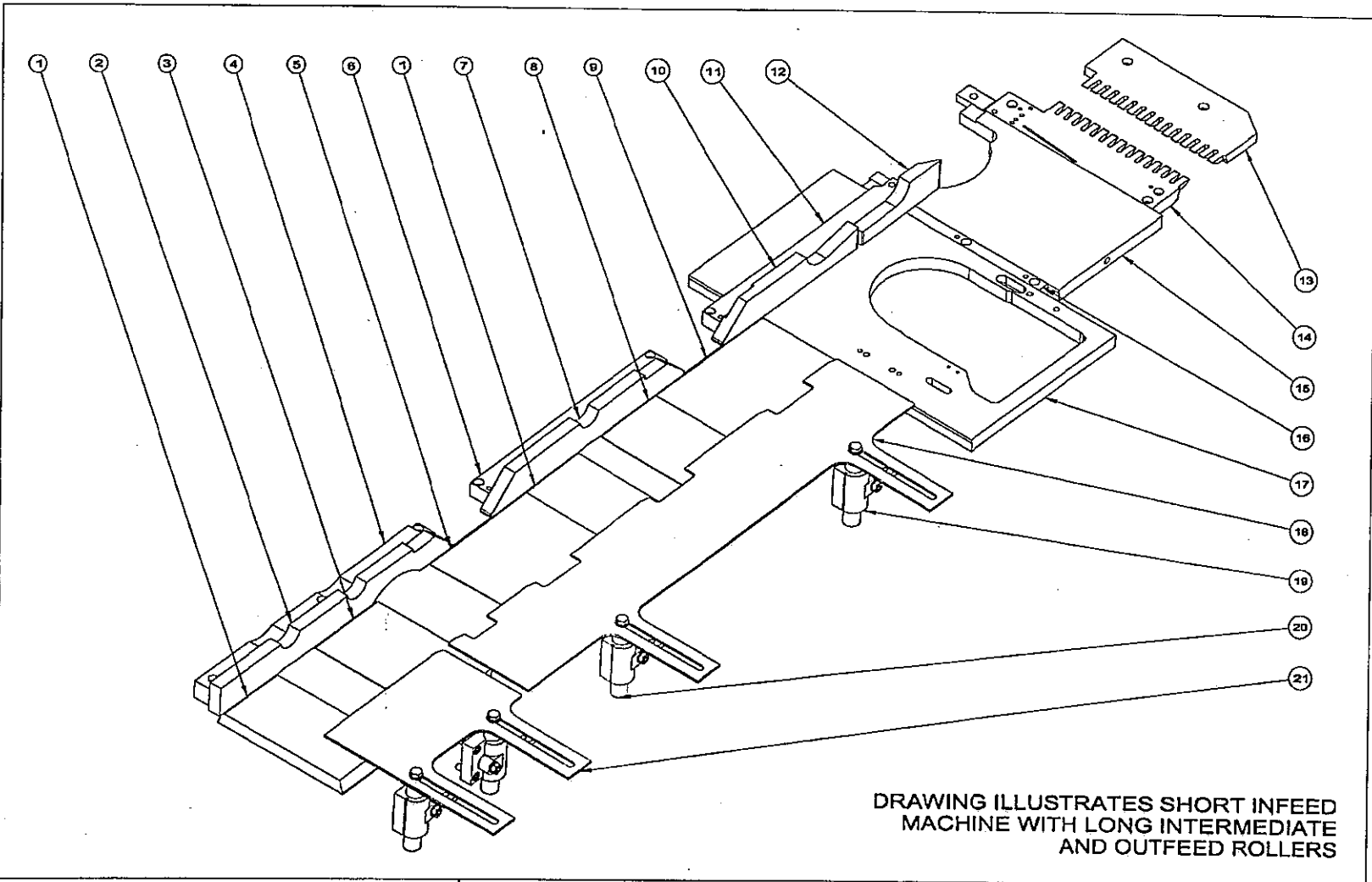
MODEL K23

ILLUSTRATED PARTS LIST

ILLUSTRATED PARTS LIST - MODEL K23
 WADKIN LIMITED, LEICESTER

DESCRIPTION: FENCES, BEDPLATES & SIDE GUIDES (SHORT INFEEED)

REF. NO.	PART DESCRIPTION	QUANTITY
1	BEDPLATE AFTER INTERMEDIATE AND OUTFEED ROLLER	2
2	FENCE OVER SECOND BOTTOM HEAD	1
3	SHORT BEDPLATE AFTER SECOND BOTTOM HEAD	1
4	FENCE SUPPORT, OUTFEED	1
5	BEDPLATE BEFORE SECOND BOTTOM HEAD - INTERMEDIATE BEDROLL	1
6	FENCE SUPPORT BETWEEN TOP HEADS	1
7	FENCE BETWEEN TOP HEADS	1
8	BEDPLATE BEFORE INTERMEDIATE BEDROLL	1
9	BEDPLATE UNDER TOP HEADS	1
10	FENCE BEFORE FIRST TOP HEAD	1
11	FENCE SUPPORT - FENCE SIDE HEAD TO FIRST TOP HEAD	1
12	FENCE NOSEPIECE AFTER FENCE SIDE HEAD	1
13	LIP PLATE FOR INFEEED TABLE	1
14	BEDPLATE AFTER FIRST BOTTOM HEAD - SHORT INFEEED	1
15	FENCE SIDE HEAD BEDPLATE	1
16	BEDPLATE BETWEEN FENCE SIDE HEAD AND NEAR SIDE HEAD	1
17	NEAR SIDE HEAD BEDPLATE	1
18	SIDE GUIDE UNDER TOP HEADS	1
19	FRONT FENCE SUPPORT BRACKET	4
20	VERTICAL SHAFT FOR SUPPORT	4
21	SIDE GUIDE AFTER SECOND BOTTOM HEAD	1



DRAWING ILLUSTRATES SHORT INFEED
MACHINE WITH LONG INTERMEDIATE
AND OUTFEED ROLLERS

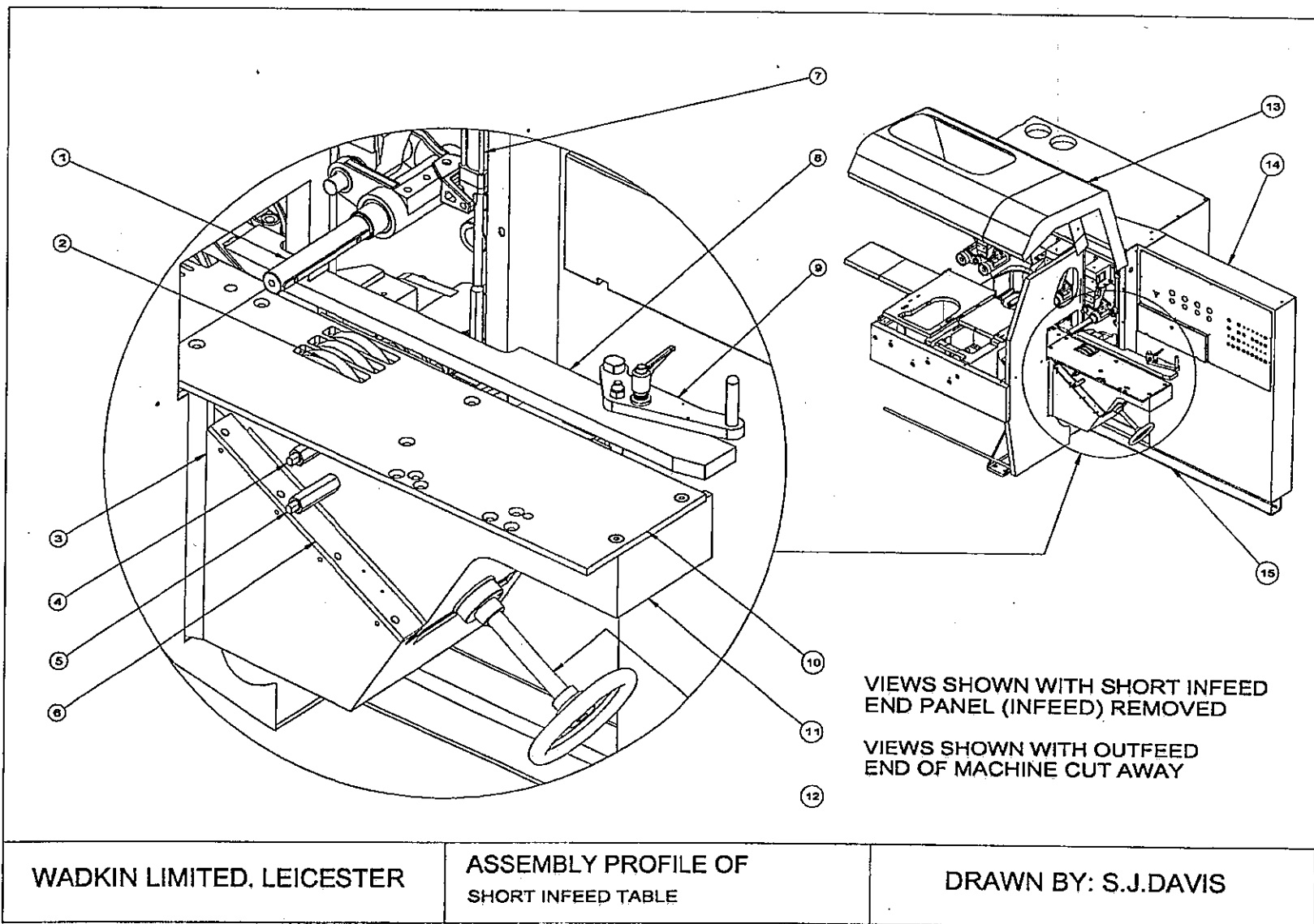
<p>WADKIN LIMITED. LEICESTER</p>	<p>ASSEMBLY PROFILE OF FENCES, BEDPLATES & SIDE GUIDES</p>	<p>DRAWN BY: S.J.DAVIS</p>
----------------------------------	--	----------------------------

MODEL K23

ILLUSTRATED PARTS LIST

ILLUSTRATED PARTS LIST - MODEL K23
WADKIN LIMITED, LEICESTER
DESCRIPTION: SHORT INFEED TABLE

REF. NO.	PART DESCRIPTION	QUANTITY
1	TOP DRIVEN INFEED SHAFT FOR ROLLERS	1
2	BOTTOM DRIVEN INFEED ROLLERS	3
3	SHORT INFEED CRADLE	1
4	TOP POSITION ROLLER HEIGHT ADJUSTMENT CONTROL	1
5	BOTTOM POSITION ROLLER HEIGHT ADJUSTMENT CONTROL	1
6	FRONT LIP PLATE (REAR NOT SHOWN)	1
7	PNEUMATIC CYLINDER FOR PURE HORIZONTAL THRUST	1
8	INFEED FENCE FOR SHORT INFEED	1
9	INFEED FENCE ADJUSTMENT CONTROL PLATE	1
10	BEDPLATE FOR SHORT INFEED TABLE	1
11	SHORT INFEED TABLE	1
12	TABLE RISE AND FALL ADJUSTING SCREW	1
13	ADDITIONAL LIFT UP COVER FOR SHORT INFEED	1
14	ELECTRICAL CABINET (SHORT & LONG INFEED MACHINE)	1
15	FOOT AND ELECTRICAL CABINET SUPPORT FOR SHORT INFEED	1



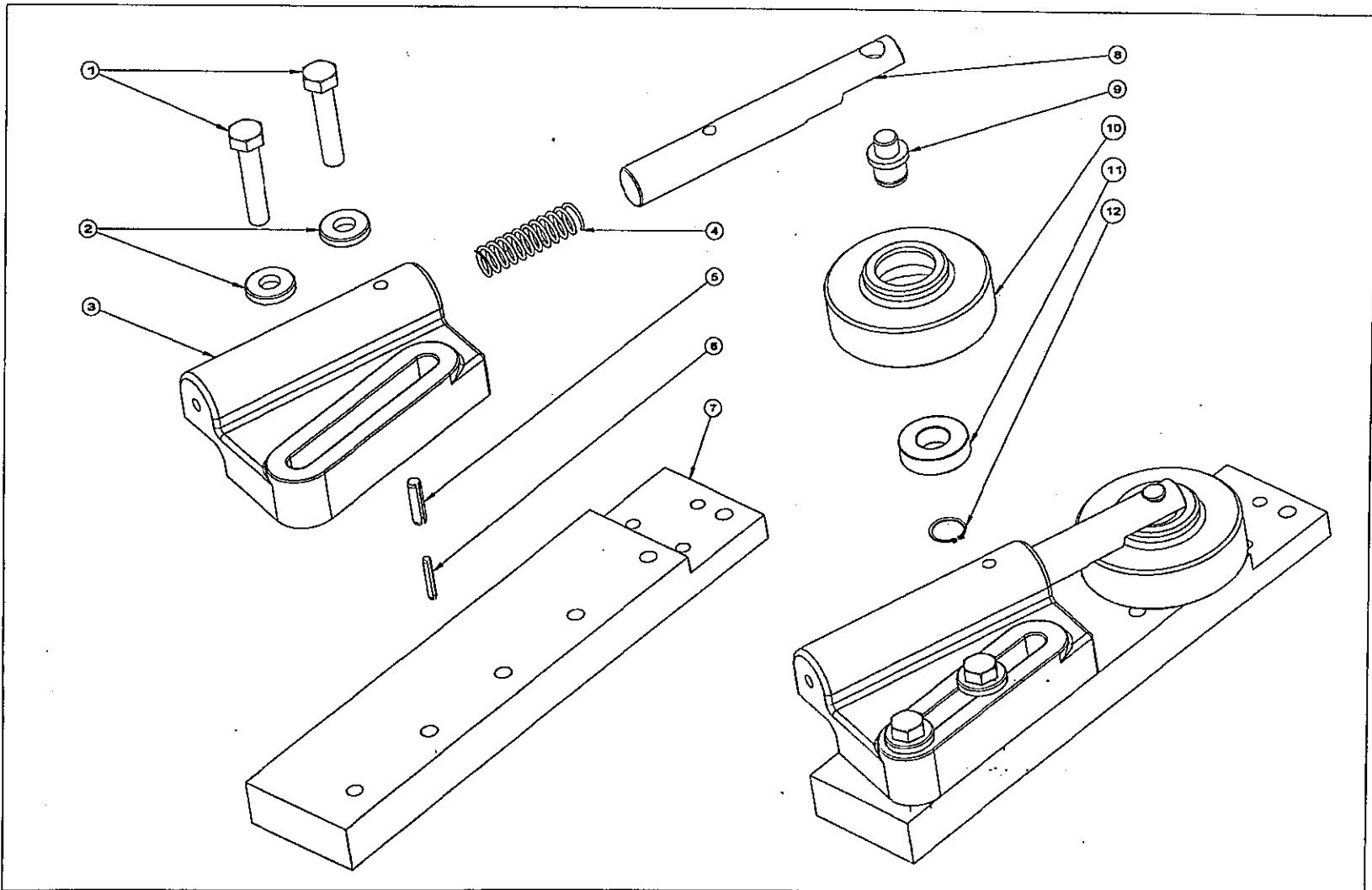
MODEL K23

ILLUSTRATED PARTS LIST

ILLUSTRATED PARTS LIST - MODEL K23
 WADKIN LIMITED, LEICESTER

DESCRIPTION: SIDE ROLLER PRESSURE UNIT

REF. NO.	PART DESCRIPTION	QUANTITY
1	M12 X 60mm HEXAGON HEAD SCREW	2
2	CLAMPING WASHER	2
3	SINGLE ROLLER SIDE PRESSURE BRACKET	1
4	SPRING	1
5	8mm DIAMETER X 30mm LONG TENSION PIN	1
6	5mm DIAMETER X 30mm LONG TENSION PIN	1
7	SUPPORT PLATE FOR SIDE ROLLER PRESSURE	1
8	PRESSURE ROLLER SLIDING SHAFT	1
9	ROLLER PIN FOR SIDE PRESSURE	1
10	ROLLER FOR SIDE PRESSURE	1
11	6004-2RS RHP & SKF BEARING	1
12	20mm DIAMETER EXTERNAL CIRCLIP	1



WADKIN LIMITED. LEICESTER

ASSEMBLY PROFILE OF
SIDE ROLLER PRESSURE UNIT

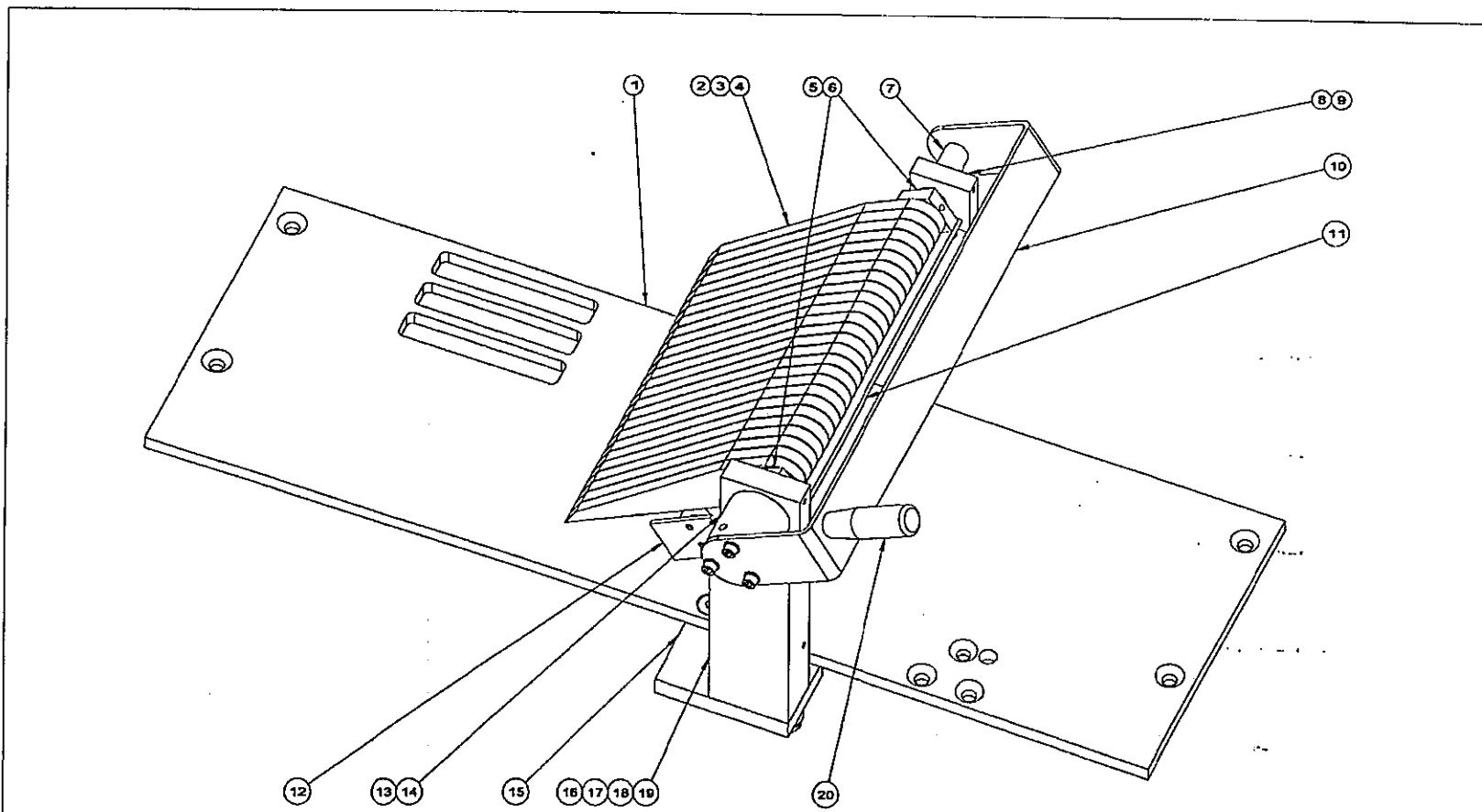
DRAWN BY: S.J.DAVIS

MODEL K23

ILLUSTRATED PARTS LIST

ILLUSTRATED PARTS LIST - MODEL K23
 WADKIN LIMITED, LEICESTER
 DESCRIPTION: ANTI-KICKBACK UNIT

REF. NO.	PART DESCRIPTION	QUANTITY
1	SHORT INFEED BEDPLATE	1
2	ANTI-KICKBACK FINGER	26
3	AS-2035 INA THRUST WASHER	27
4	20mm ID X 28mm OD X 10mm LONG BUSH	26
5	BLOCK FOR FINGER LIFT	2
6	STANDARD TAPER PIN NO. 2	2
7	SHAFT FOR ANTI-KICKBACK FINGERS	1
8	BLOCK FOR ANTI-KICKBACK SHAFT	1
9	20mm ID X 25mm OD X 15mm LONG BUSH	1
10	HANDLE FOR ANTI-KICKBACK FINGERS.	1
11	PLATE TO LOFT ANTI-KICKBACK FINGERS	1
12	MOUNTING BRACKET FOR ANTI-KICKBACK UNIT LIMIT SWITCH	1
13	CAM FOR ANTI-KICKBACK UNIT	1
14	STANDARD TAPER PIN NO. 4	1
15	MOUNTING PLATE FOR ANTI-KICKBACK UNIT	1
16	MOUNTING BLOCK FOR ANTI-KICKBACK UNIT	1
17	20mm ID X 25mm OD X 20mm LONG BUSH	1
18	PLUNGER FOR ANTI-KICKBACK UNIT	1
19	STANDARD SPRING NO. 2	1
20	1.301/80 +X- M6 REVOLVING HANDLE	1



VIEW SHOWN WITH SHORT INFEED BEDPLATE
MOUNTING POSITION IDENTICAL FOR LONG INFEED

ADDITIONAL ITEM - NOT ILLUSTRATED:
COVER FOR ANTI-KICKBACK UNIT
FENCE LOCKING EXTENSION - LONG INFEED ONLY

WADKIN LIMITED. LEICESTER

ASSEMBLY PROFILE OF
ANTI-KICKBACK UNIT

DRAWN BY: S.J.DAVIS

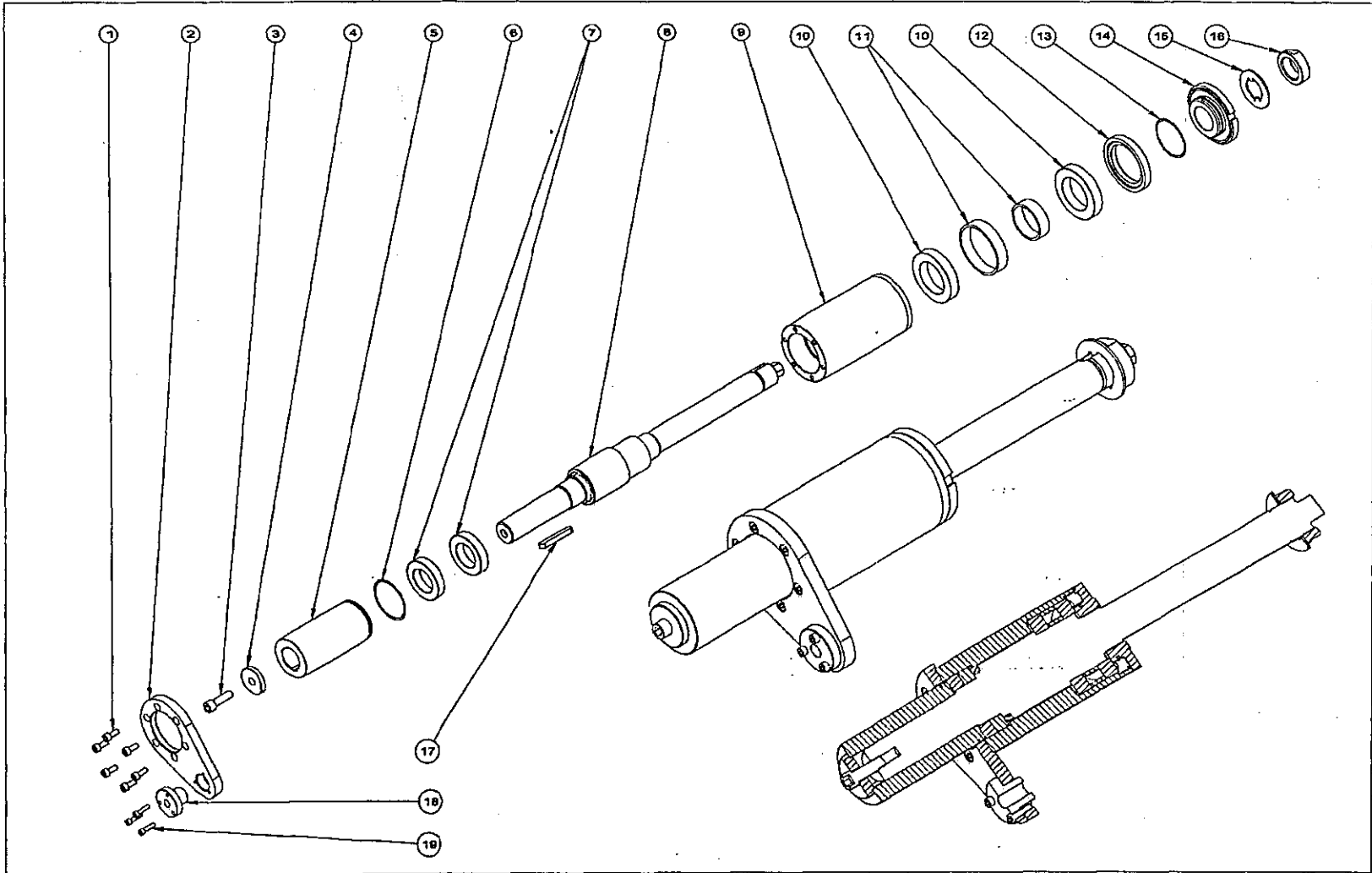
MODEL K23

ILLUSTRATED PARTS LIST

ILLUSTRATED PARTS LIST - MODEL K23
 WADKIN LIMITED, LEICESTER
 DESCRIPTION: SPINDLE UNIT

REF. NO.	PART DESCRIPTION	QUANTITY
1	M8 X 20mm HEXAGON SOCKET CAPSCREW	6
2	HORIZONTAL BARREL END CAP	1
3	M12 X 40mm HEXAGON HEAD CAPSCREW	1
4	PULLEY RETAINING WASHER	1
5	SPINDLE PULLEY	1
6	FK6ASD PISTON RING 75.0-79.5	1
7	RHP 7009 CTDUF-P4 PAIRED BEARING	1
8	40mm HORIZONTAL SPINDLE SPINDLE BARREL	1
9	RHP 7012 CTDUL-P4 PAIRED BEARING	1
10	BEARING SPACER RING ASSEMBLY	1
11	OUTER THREADED LOCKNUT	1
12	FK6ASD PISTON RING 70.0-74.5	1
13	INNER THREADED LOCKNUT	1
14	SPINDLE LOCKING COLLAR	1
15	SPINDLE SHAFT NUT	1
16	12mm X 8mm X 70mm LONG KEY	1
17	ADJUSTING NUT LEFT HANDED TRAPEZOIDAL	1
18	M6 X 25mm HEXAGON SOCKET CAPSCREW	3
19		

FOR USE ON FIRST BOTTOM HEAD SPINDLE ITEM 9 (BARREL) IS ECCENTRIC
 ALL OTHER SPINDLES USE A STANDARD CONCENTRIC BARREL



WADKIN LIMITED. LEICESTER

ASSEMBLY PROFILE OF
SPINDLE UNIT

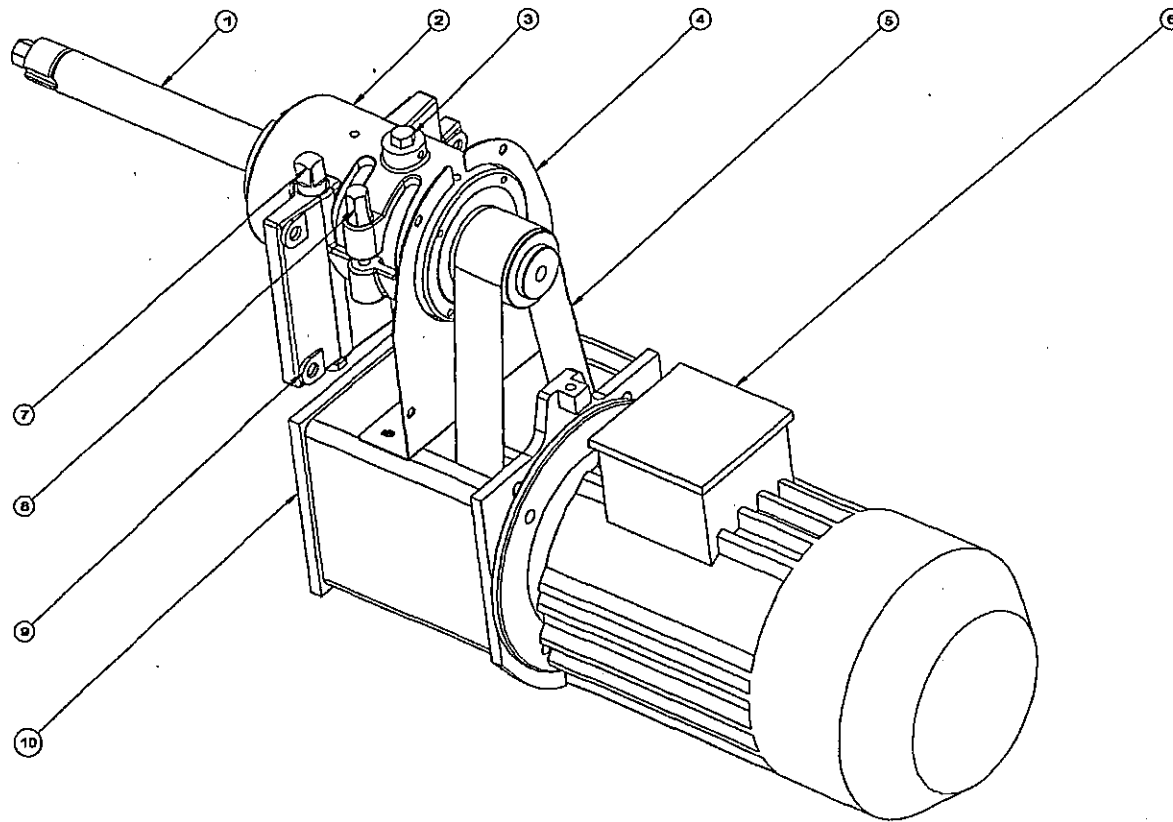
DRAWN BY: S.J.DAVIS

MODEL K23

ILLUSTRATED PARTS LIST

ILLUSTRATED PARTS LIST - MODEL K23
WADKIN LIMITED, LEICESTER
DESCRIPTION: FIRST BOTTOM HEAD

REF. NO.	PART DESCRIPTION	QUANTITY
1	FIRST BOTTOM HEAD SPINDLE	1
2	FIRST BOTTOM HEAD MOUNTING	1
3	ECCENTRIC PIN FOR FIRST BOTTOM HEAD ADJUSTMENT	1
4	BACKPLATE FOR FIRST BOTTOM HEAD BELT COVER	1
5	FIRST BOTTOM HEAD DRIVE BELT	1
6	FIRST BOTTOM HEAD MOTOR	1
7	WORM FOR FIRST BOTTOM HEAD ADJUSTMENT	1
8	CLAMPING NUT	1
9	M12 TAPER WASHER 5 DEGREES	4
10	FIRST BOTTOM HEAD MOTOR MOUNTING BRACKET	1



SETTING FOR FIRST BOTTOM HEAD SPINDLE OBTAINED BY:
ECCENTRIC PIN (HORIZONTAL ADJUSTMENT) - ITEM 3
AND WORM (VERTICAL ADJUSTMENT) - ITEM 7

ADDITIONAL ITEM - NOT ILLUSTRATED:
FIRST BOTTOM HEAD BELT COVER

WADKIN LIMITED. LEICESTER

ASSEMBLY PROFILE OF
FIRST BOTTOM HEAD

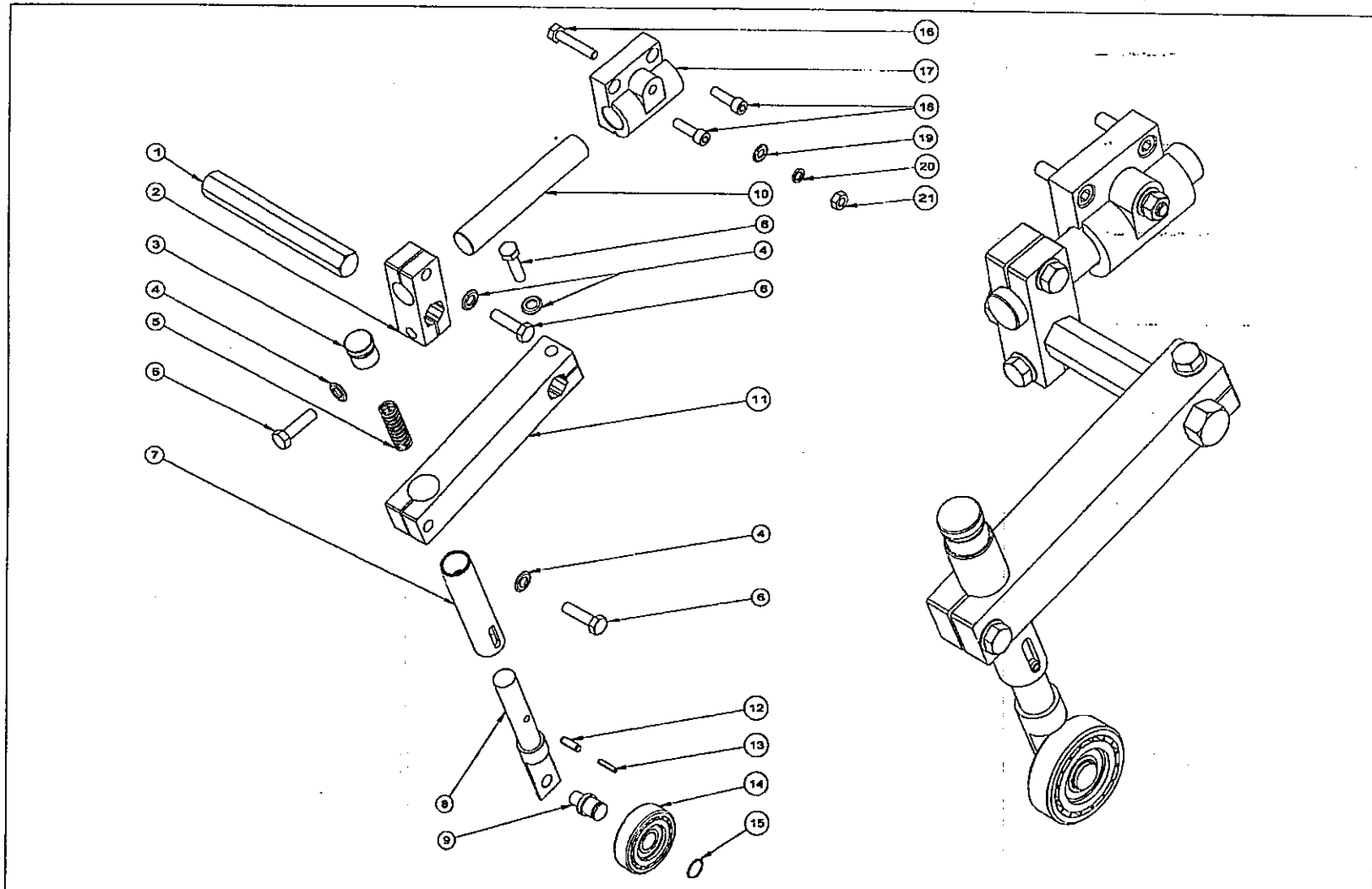
DRAWN BY: S.J.DAVIS

MODEL K23

ILLUSTRATED PARTS LIST

ILLUSTRATED PARTS LIST - MODEL K23
 WADKIN LIMITED, LEICESTER
 DESCRIPTION: TOP IDLE ROLLER PRESSURE

REF. NO.	PART DESCRIPTION	QUANTITY
1	HORIZONTAL PRESSURE BAR FOR TRANSVERSE ADJUSTMENT	1
2	SPLIT CLAMP	1
3	SPRING TENSIONER FOR TOP PRESSURE	1
4	M12 WASHER	4
5	SPRING	1
6	M12 X 45mm HEXAGON HEAD SCREW	4
7	BARREL FOR TOP PRESSURE	1
8	ROLLER ARM FOR TOP PRESSURE	1
9	ROLLER PIN FOR TOP PRESSURE	1
10	HORIZONTAL PRESSURE BAR	1
11	SPLIT CLAMP FOR PRESSURE	1
12	8mm DIAMETER X 24mm LONG TENSION PIN	1
13	5mm DIAMETER X 24mm LONG TENSION PIN	1
14	BLACK POLYURETHANE ROLLER INCLUDING BEARING	1
15	20mm DIAMETER EXTERNAL CIRCLIP	1
16	M10 X 55mm HEXAGON HEAD SCREW	1
17	BRACKET FOR TOP PRESSURE	1
18	M10 X 35mm HEXAGON SOCKET CAPSCREW	2
19	M10 WASHER	1
20	M10 SPRING WASHER SINGLE COIL	1
21	M10 HEXAGON NUT	1



WADKIN LIMITED. LEICESTER

ASSEMBLY PROFILE OF
TOP IDLE ROLLER PRESSURE

DRAWN BY: S.J.DAVIS

MODEL K23

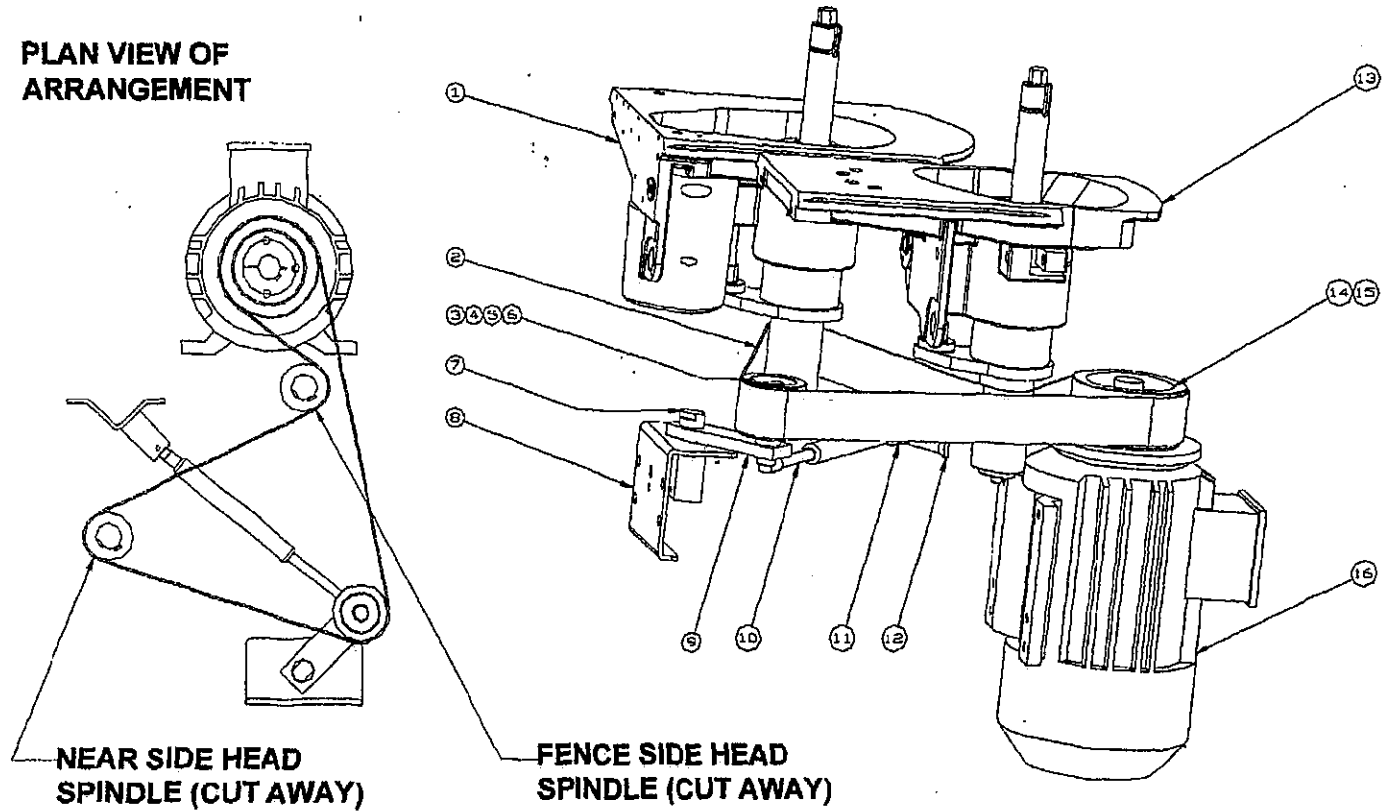
ILLUSTRATED PARTS LIST

ILLUSTRATED PARTS LIST - MODEL K23
 WADKIN LIMITED, LEICESTER

DESCRIPTION: BELT ARRANGEMENT (NEAR SIDE HEAD/FENCE SIDE HEAD SPINDLE)

REF. NO.	PART DESCRIPTION	QUANTITY
1	NEAR SIDE HEAD CARRIAGE	1
2	FENCE SIDE HEAD AND NEAR SIDE HEAD DRIVE BELT	1
3	BELT TENSIONER IDLE ROLLER	1
4	SHAFT FOR IDLE ROLLER	1
5	6305-2RS RHP & SKF BEARING	1
6	6206-2RS SKF BEARING	1
7	PIVOT PIN FOR IDLE ROLLER LINK	1
8	TENSIONER PIVOT BRACKET	1
9	PIVOT LINK FOR IDLE ROLLER	1
10	14.28.175.450.EE.1500N GAS SPRING	1
11	FIXING BLOCK FOR GAS SPRING	1
12	GAS SPRING ANCHOR	1
13	FENCE SIDE HEAD CARRIAGE	1
14	MOTOR PULLEY	1
15	TAPER LOCK BUSH	1
16	FENCE SIDE HEAD AND NEAR SIDE HEAD MOTOR	1

**PLAN VIEW OF
ARRANGEMENT**



WADKIN LTD, LEICESTER

**ASSEMBLY PROFILE OF
BELT ARRANGEMENT (NSH/FSH SPDL.)**

DRAWN BY: S.J.DAVIS

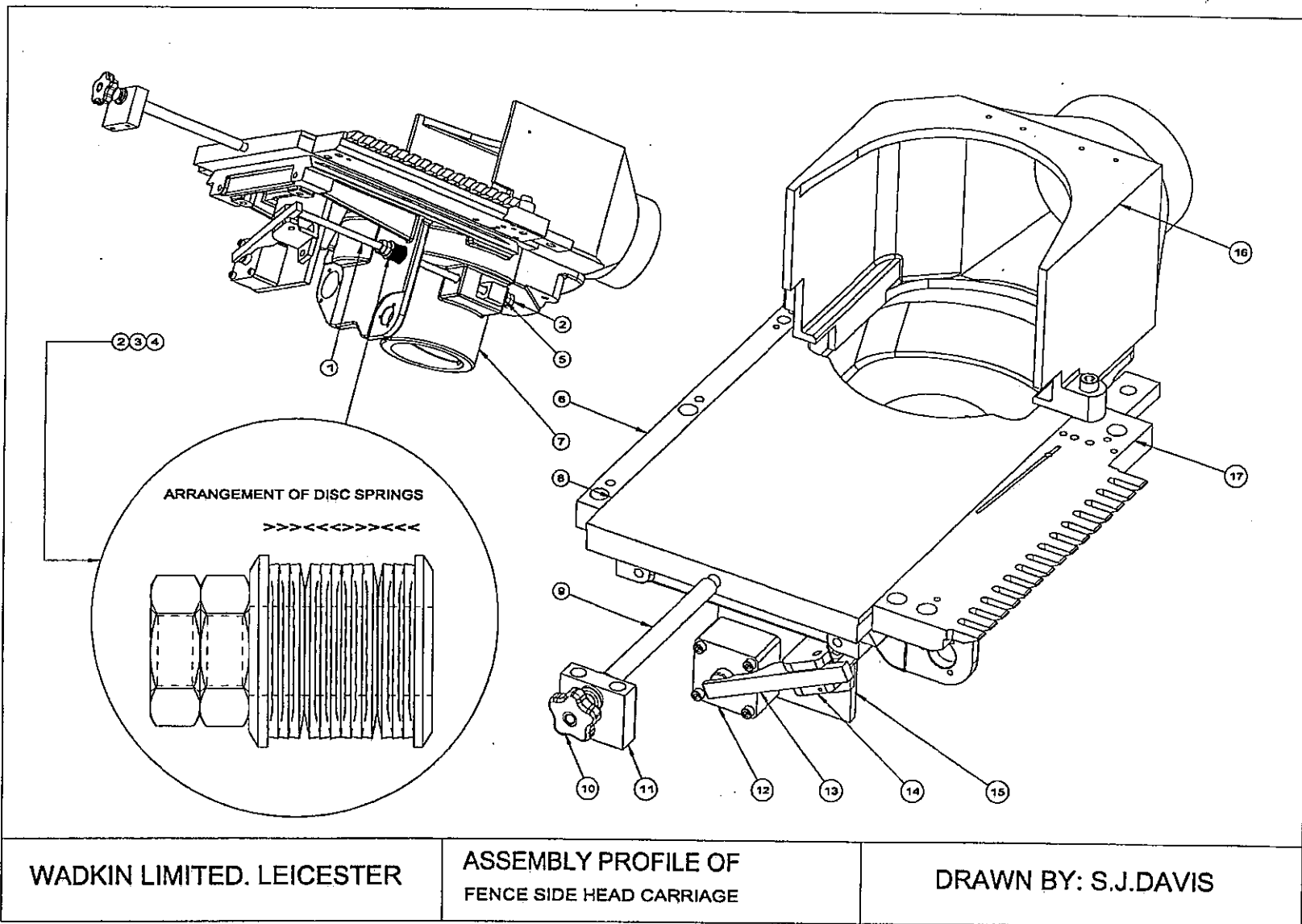
MODEL K23

ILLUSTRATED PARTS LIST

ILLUSTRATED PARTS LIST - MODEL K23
 WADKIN LIMITED, LEICESTER

DESCRIPTION: FENCE SIDE HEAD CARRIAGE

REF. NO.	PART DESCRIPTION	QUANTITY
1	BARREL CLAMPING STUD	1
2	M12 HEXAGON LOCKNUT	4
3	M12 WASHER LARGE DIAMETER	2
4	25mm OD X 12.2mm ID DISC SPRING	12
5	M12 WASHER	1
6	BEDPLATE BETWEEN FENCE SIDE HEAD AND NEAR SIDE HEAD	1
7	FENCE SIDE HEAD CARRIAGE	1
8	FENCE SIDE HEAD BEDPLATE	1
9	BEDPLATE ADJUSTMENT SCREW FOR FENCE SIDE HEAD	1
10	VCT638-M12 LOBE KNOB	1
11	BLOCK FOR FENCE SIDE HEAD BEDPLATE ADJUSTMENT	1
12	PNEUMATIC CYLINDER	1
13	PIVOT PAR	1
14	PIVOT LOCK BLOCK	1
15	PUSH PLATE	1
16	FENCE SIDE HEAD HOOD	1
17	BEDPLATE AFTER FIRST BOTTOM HEAD	1



WADKIN LIMITED. LEICESTER

ASSEMBLY PROFILE OF
FENCE SIDE HEAD CARRIAGE

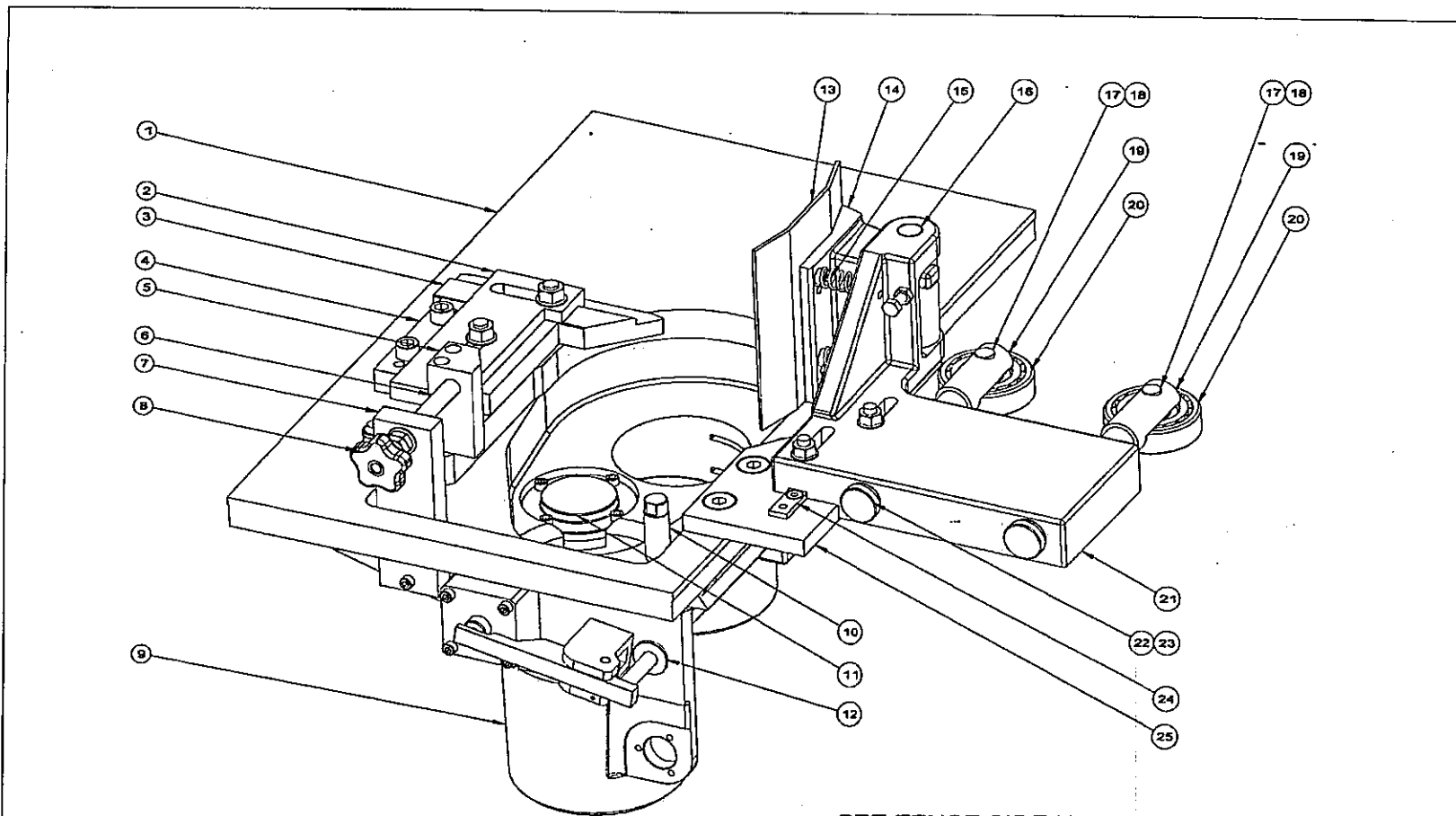
DRAWN BY: S.J.DAVIS

MODEL K23

ILLUSTRATED PARTS LIST

ILLUSTRATED PARTS LIST - MODEL K23
 WADKIN LIMITED, LEICESTER
 DESCRIPTION: NEAR SIDE HEAD CARRIAGE

REF. NO.	PART DESCRIPTION	QUANTITY
1	NEAR SIDE HEAD BEDPLATE	1
2	ARM CARRYING PRESSURE AFTER NEAR SIDE HEAD	1
3	PRESSURE SHOE AFTER NEAR SIDE HEAD	1
4	BRACKET CARRYING PRESSURE AFTER NEAR SIDE HEAD	1
5	ADJUSTING NUT FOR NEAR SIDE HEAD BEDPLATE	1
6	NEAR SIDE HEAD BEDPLATE ADJUSTING SCREW	1
7	NEAR SIDE HEAD BEDPLATE ADJUSTING BRACKET	1
8	VCT638 M12 LOBE KNOB	1
9	NEAR SIDE HEAD CARRIAGE	1
10	HOOD LOCATION PIN	1
11	END CAP FOR NEAR SIDE HEAD CARRIAGE	1
12	BUSH FOR BARREL CLAMP	1
13	NEAR SIDE HEAD CHIP DEFLECTOR	1
14	NEAR SIDE HEAD CHIPBREAKER SHOE	1
15	STANDARD SPRING NO. 3	2
16	CHIPBREAKER PIVOT PIN	1
17	ROLLER PIN FOR SIDE PRESSURE	2
18	EXTERNAL CIRCLIP 20mm DIAMETER	2
19	ROLLER ARM FOR SIDE PRESSURE	2
20	BLACK POLYURETHANE ROLLER INCLUDING BEARING	2
21	NEAR SIDE HEAD CHIPBREAKER/ROLLER CARRIER	1
22	SPRING TENSIONER FOR SIDE PRESSURE	2
23	SPRING	2
24	KEY FOR NEAR SIDE HEAD CHIPBREAKER	1
25	PLATE CARRYING NEAR SIDE HEAD ROLLER PRESSURE	1



SEE FENCE SIDE HEAD CARRIAGE
FOR DETAIL OF BARREL CLAMPING

WADKIN LIMITED. LEICESTER	ASSEMBLY PROFILE OF NEAR SIDE HEAD CARRIAGE	DRAWN BY: S.J.DAVIS
---------------------------	--	---------------------

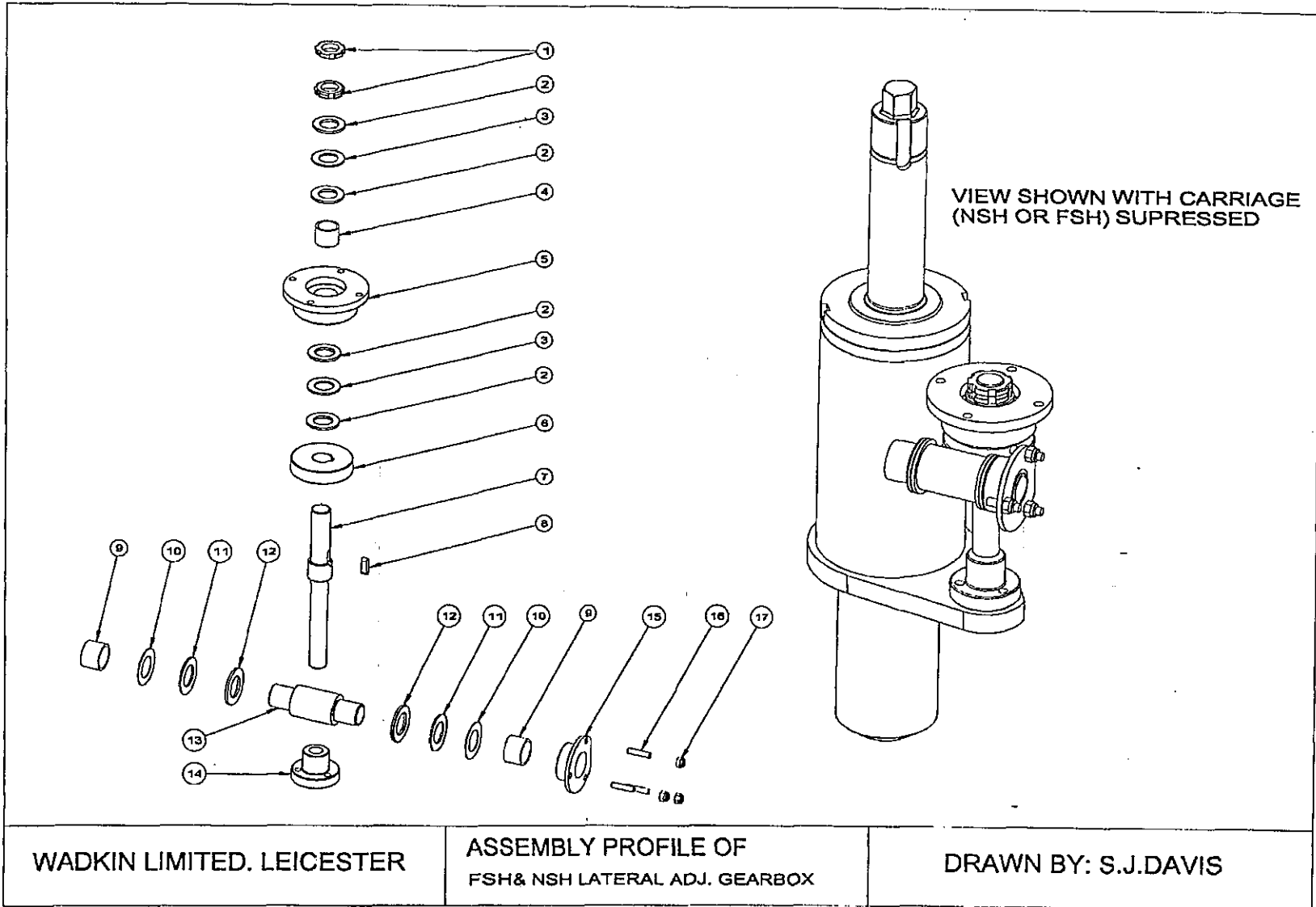
MODEL K23

ILLUSTRATED PARTS LIST

ILLUSTRATED PARTS LIST - MODEL K23
WADKIN LIMITED, LEICESTER

DESCRIPTION: FENCE SIDE HEAD & NEAR SIDE HEAD LATERAL ADJUSTMENT GEARBOX

REF. NO.	PART DESCRIPTION	QUANTITY
1	M20 NOTCH NUT	2
2	LS-2035 INA THRUST WASHER	4
3	AXK-2035 INA THRUST BEARING	2
4	20mm ID X 25mm OD X 20mm LONG BUSH	1
5	BARREL RISE AND FALL SCREW BEARING HOUSING	1
6	HELICAL GEAR FOR BARREL RISE AND FALL	1
7	BARREL RISE AND FALL SCREW	1
8	6mm X 6mm X 20mm LONG KEY	1
9	25mm ID X 30mm OD X 20mm LONG BUSH	2
10	AS-2542 INA THRUST WASHER	2
11	AXK-2542 INA THRUST BEARING	2
12	LS-2542 INA THRUST WASHER	2
13	HELICAL GEAR FOR BARREL RISE AND FALL	1
14	ADJUSTING NUT LEFT HANDED TRAPEZOIDAL	1
15	HELICAL GEAR BEARING HOUSING	1
16	M6 X 25mm SCREWED STUD	3
17	M6 HEXAGON LOCKNUT	3

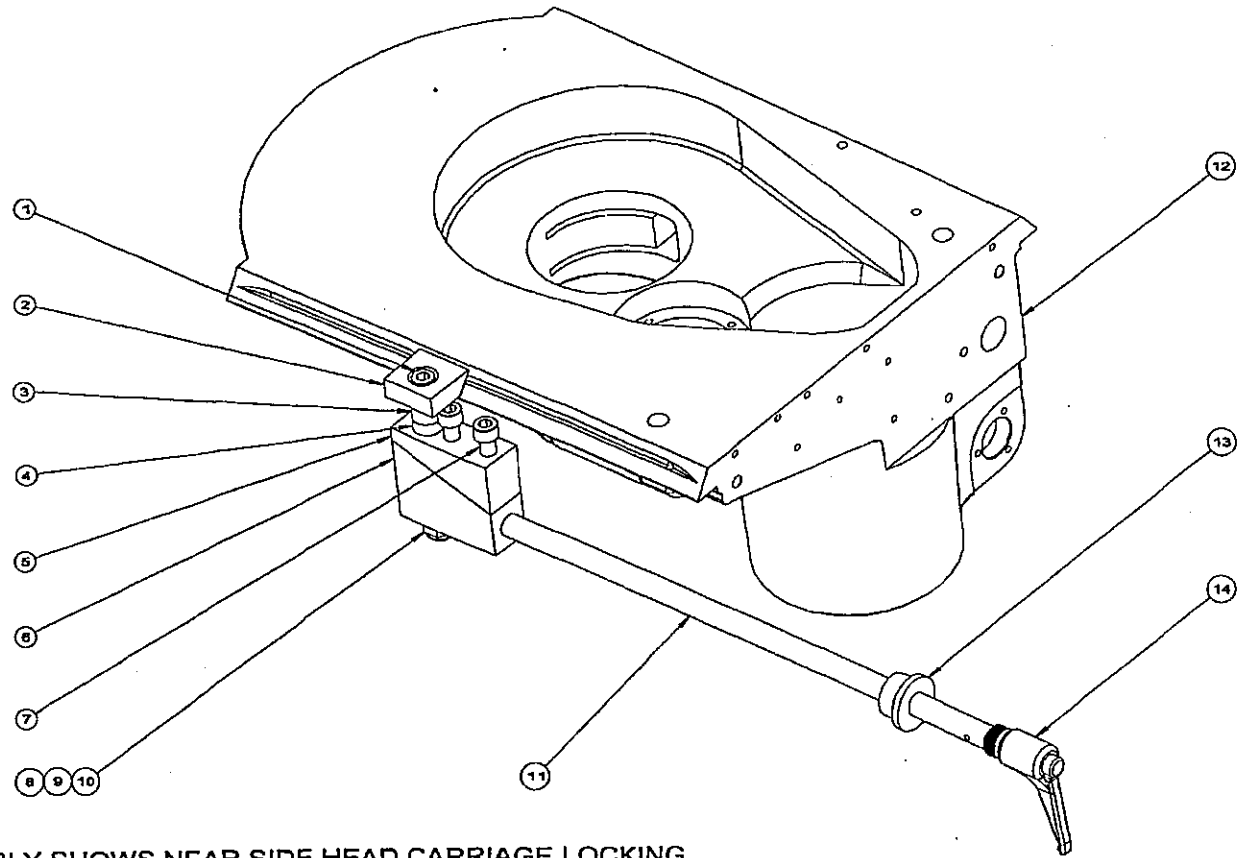


MODEL K23

ILLUSTRATED PARTS LIST

ILLUSTRATED PARTS LIST - MODEL K23
 WADKIN LIMITED, LEICESTER
 DESCRIPTION: SIDE HEAD LOCKING ARRANGEMENT

REF. NO.	PART DESCRIPTION	QUANTITY
1	M10 X 16mm HEXAGON SOCKET CAPSCREW	1
2	SIDE HEAD LOCKING WEDGE	1
3	16mm ID X 20mm OD X 16mm LONG BUSH	1
4	16mm ID X 20mm OD X 25mm LONG BUSH	1
5	LOCKING HOUSING	1
6	LOCKING WEDGE	1
7	M10 X 30mm HEXAGON SOCKETCAPSCREW	1
8	SIDE HEAD LOCKING STUD	1
9	M12 WASHER	1
10	M12 HEXAGON LOCKNUT	1
11	SIDE HEAD LOCKING STUD	1
12	NEAR SIDE HEAD CARRIAGE	1
13	FLANGED BUSH FOR LOCKING SHAFT	1
14	M10 X 30mm MALE ADJUSTING HANDLE	1



ASSEMBLY SHOWS NEAR SIDE HEAD CARRIAGE LOCKING
LOCKING IS IDENTICAL FOR FENCE SIDE HEAD CARRIAGE
EXCEPT ITEM 11 CHANGES TO A LONGER SHAFT

WADKIN LIMITED. LEICESTER

ASSEMBLY PROFILE OF
SIDE HEAD LOCKING ARRANGEMENT

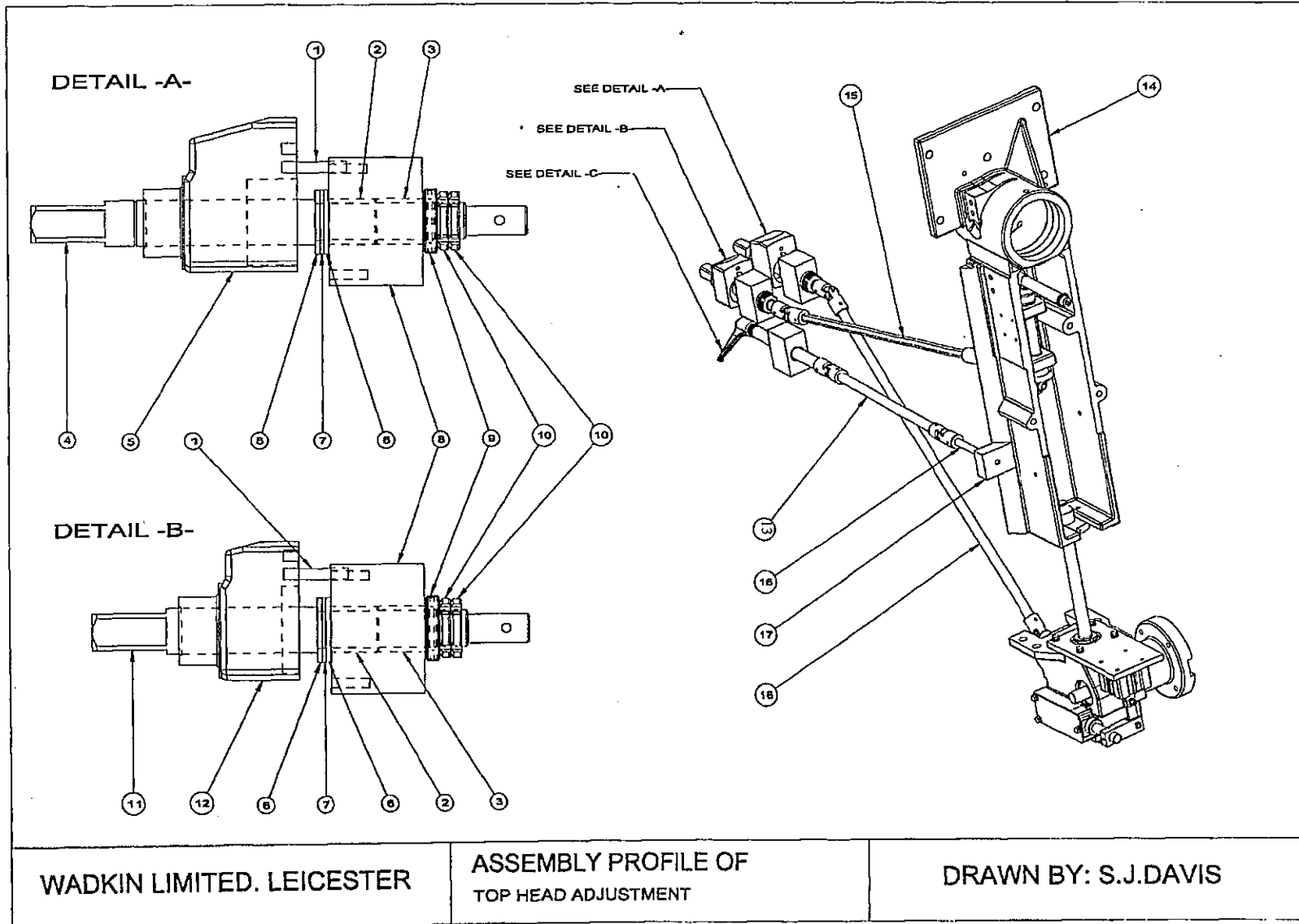
DRAWN BY: S.J.DAVIS

MODEL K23

ILLUSTRATED PARTS LIST

ILLUSTRATED PARTS LIST - MODEL K23
 WADKIN LIMITED, LEICESTER
 DESCRIPTION: TOP HEAD ADJUSTMENT

REF. NO.	PART DESCRIPTION	QUANTITY
1	6mm X 25mm LONG PLAIN DOWEL	2
2	20mm ID X 25mm OD X 20mm LONG BUSH	2
3	20mm ID X 25mm OD X 25mm LONG BUSH	2
4	INPUT SHAFT	1
5	DA10R-12.2.E.25.A1.S, SIKO DUAL READOUT CLOCK	1
6	LS-2035 INA THRUST WASHER	4
7	AXK-2035 INA THRUST BEARING	2
8	BEARING HOUSING FOR HEAD ADJUSTMENT SHAFTS	2
9	AXZ 8.20.35.4 NADELLA BEARING	2
10	M20 NOTCH NUT	4
11	INPUT SHAFT	1
12	DA1012-4-4,0-E-B-B-1-S, SIKO SINGLE READOUT CLOCK	1
13	UNIVERSAL JOINT FOR TOP HEAD RISE AND FALL LOCKING	1
14	TOP HEAD MOUNTING	1
15	UNIVERSAL JOINT FOR TOP HEAD AXIAL ADJUSTMENT	1
16	LOCKING STUD FOR RISE AND FALL	1
17	LOCKING PAD	1
18	UNIVERSAL JOINT FOR TOP HEAD RISE AND FALL	1



WADKIN LIMITED. LEICESTER

ASSEMBLY PROFILE OF
TOP HEAD ADJUSTMENT

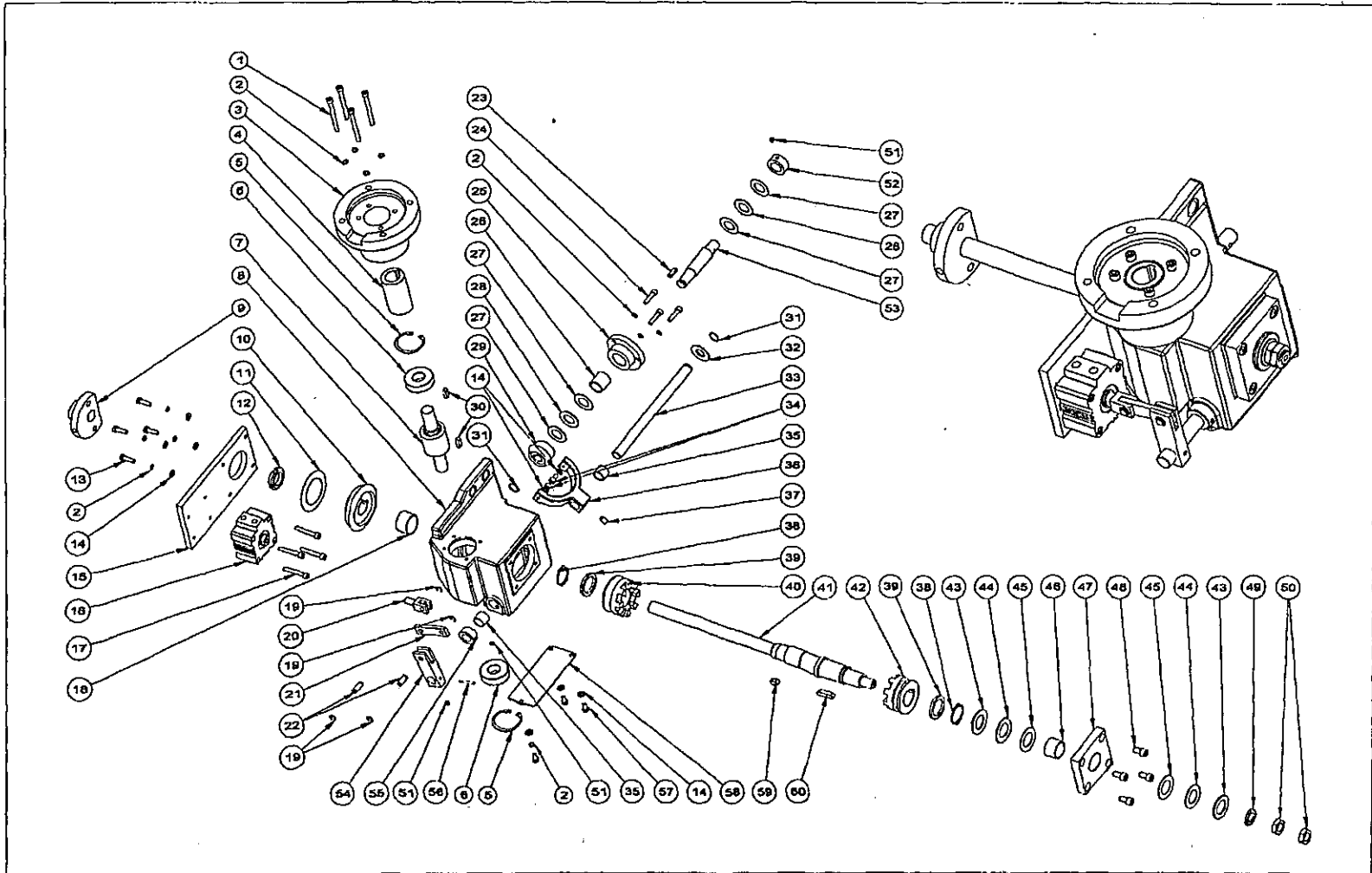
DRAWN BY: S.J.DAVIS

MODEL K23

ILLUSTRATED PARTS LIST

ILLUSTRATED PARTS LIST - MODEL K23
 WADKIN LIMITED, LEICESTER
 DESCRIPTION: TOP HEAD RISE & FALL BEVEL BOX

REF. NO.	PART DESCRIPTION	QUANTITY
1	M6 X 70mm HEXAGON SOCKET CAPSCREW	4
2	M6 SPRING WASHER SINGLE COIL	12
3	ADAPTOR FOR MOTOR/GEAR HOUSING	1
4	COUPLING FOR RISE AND FALL MOTOR	1
5	47mm DIAMETER INTERNAL CIRCLIP	2
6	6204-2RS RHP & SKF BEARING	2
7	WORM FOR TOP HEAD RISE AND FALL	1
8	WORMGEAR AND CLUTCH HOUSING	1
9	NUT FOR TOP HEAD RISE AND FALL	1
10	BEVEL GEAR FOR TOP HEAD RISE AND FALL	1
11	71.5mm OD X 45.5mm ID X 0.7mm DISC SPRING	1
12	M24 NOTCH NUT	1
13	M6 X 20mm HEXAGON HEAD SCREW	4
14	M6 WASHER	9
15	CYLINDER MOUNTING BRACKET	1
16	PNEUMATIC CYLINDER	1
17	M6 X 40mm HEXAGON SOCKET CAPSCREW	4
18	30mm ID X 35mm OD X 20mm LONG BUSH	1
19	8mm DIAMETER E RETAINING CIRCLIP	4
20	CYLINDER CLEVIS	1
21	CLUTCH LOCATION ARM	1
22	CLEVIS PIN	2
23	5mm X 5mm X 20mm LONG KEY	1
24	M6 X 25mm HEXAGON SOCKET CAPSCREW	3
25	END CAP FOR RISE AND FALL BEVEL BOX	1
26	20mm ID X 25mm OD X 25mm LONG BUSH	1



WADKIN LIMITED. LEICESTER

ASSEMBLY PROFILE OF
TOP HEAD RISE & FALL BEVEL BOX

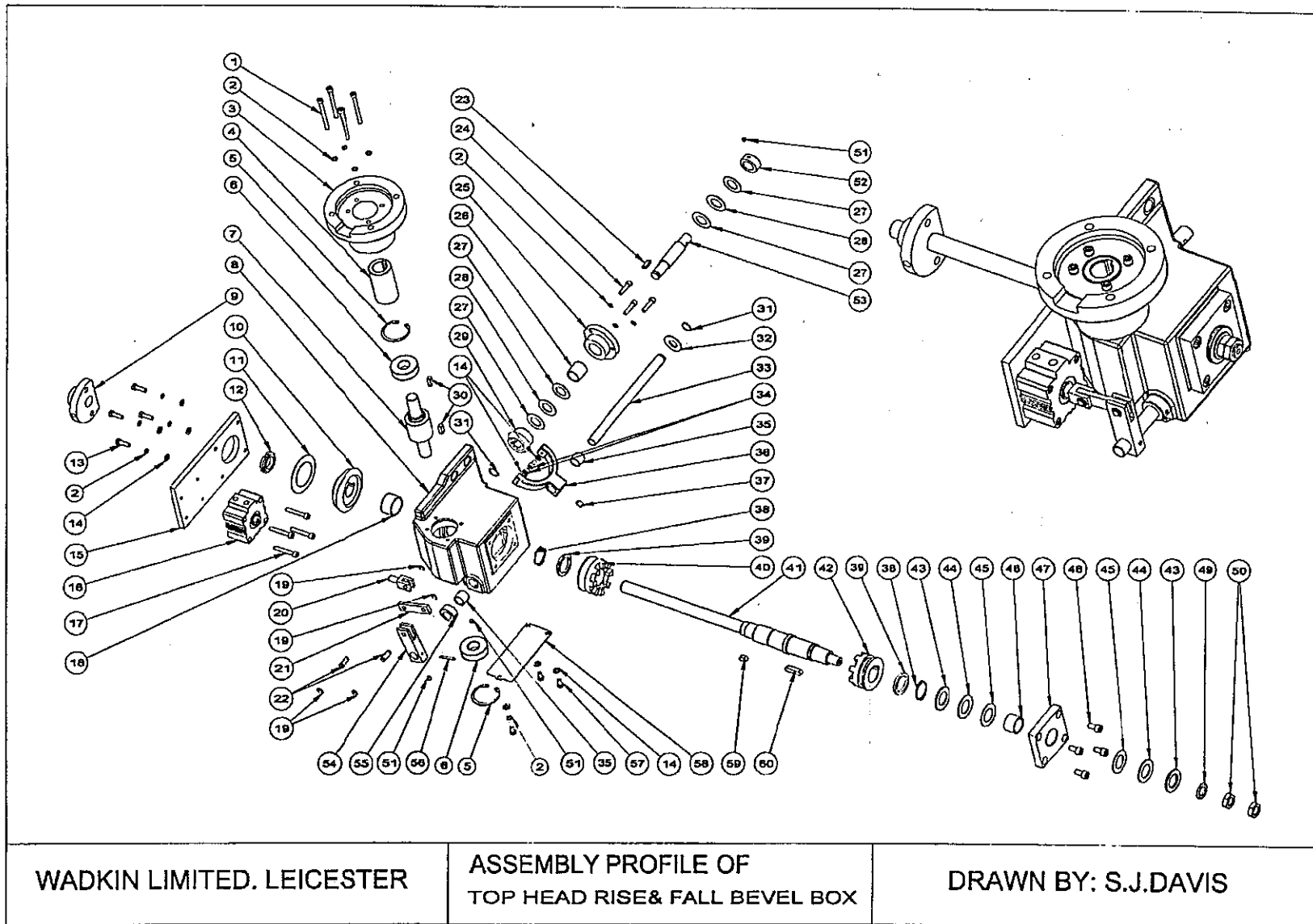
DRAWN BY: S.J.DAVIS

MODEL K23

ILLUSTRATED PARTS LIST

ILLUSTRATED PARTS LIST - MODEL K23
 WADKIN LIMITED, LEICESTER
 DESCRIPTION: TOP HEAD RISE & FALL BEVEL BOX

REF. NO.	PART DESCRIPTION	QUANTITY
27	AS-2035 INA THRUST WASHER	4
28	AXK-2035 INA THRUST BEARING	2
29	BEVEL GEAR FOR TOP HEAD RISE AND FALL	1
30	6mm X 6mm X 20mm LONG KEY	2
31	EXTERNAL CIRCLIP 16mm DIAMETER	2
32	M16 LARGE DIAMETER WASHER	1
33	PIVOT SHAFT	1
34	M6 X 10mm HEXAGON SOCKET CAPSCREW	2
35	16mm ID X 20mm OD X 16mm LONG BUSH	2
36	CLUTCH YOKE	1
37	HEXAGON SOCKET SCREW - HALF DOG POINT	1
38	30mm DIAMETER EXTERNAL CIRCLIP	2
39	CLUTCH SPACER	2
40	WORMWHEEL FOR TOP HEAD RISE AND FALL	1
41	TOP HEAD RISE AND FALL SCREW	1
42	TOP HEAD RISE AND FALL CLUTCH	1
43	LS-2542 INA THRUST WASHER	2
44	AXK-2542 INA THRUST BEARING	2
45	AS-2542 INA THRUST WASHER	2
46	25mm ID X 30mm OD X 20mm LONG BUSH	1
47	COVER FOR WORMBOX	1
48	M8 X 16mm HEXAGON SOCKET CAPSCREW	4
49	M16 WASHER	1
50	M16 HEXAGON LOCKNUT	2
51	M6 X 6mm GRUBSCREW	3
52	20mm ID X 32mm OD X 14mm LONG COLLAR	1



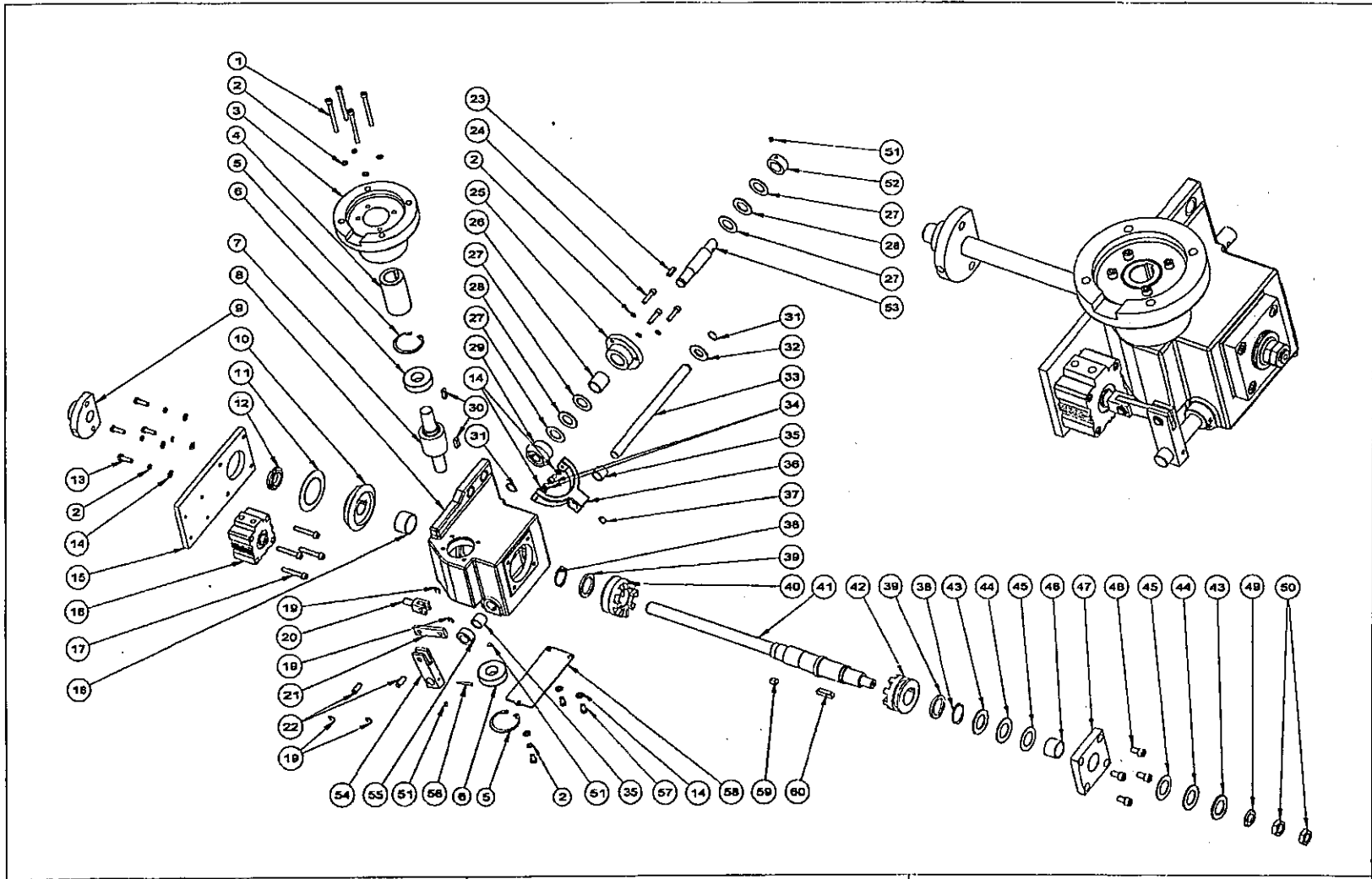
MODEL K23

ILLUSTRATED PARTS LIST

ILLUSTRATED PARTS LIST - MODEL K23
WADKIN LIMITED, LEICESTER

DESCRIPTION: TOP HEAD RISE & FALL BEVEL BOX

REF. NO.	PART DESCRIPTION	QUANTITY
53	MANUAL INPUT SHAFT	1
54	CLUTCH ARM	1
55	16mm ID X 25mm OD X 12mm LONG COLLAR	1
56	STANDARD TAPER PIN NO. 1	1
57	M6 X 12mm HEXAGON HEAD SCREW	3
58	COVER FOR WORMBOX	1
59	8mm X 7mm X 14mm LONG KEY	1
60	8mm X 7mm X 32mm LONG KEY	1



WADKIN LIMITED. LEICESTER

ASSEMBLY PROFILE OF
TOP HEAD RISE & FALL BEVEL BOX

DRAWN BY: S.J.DAVIS

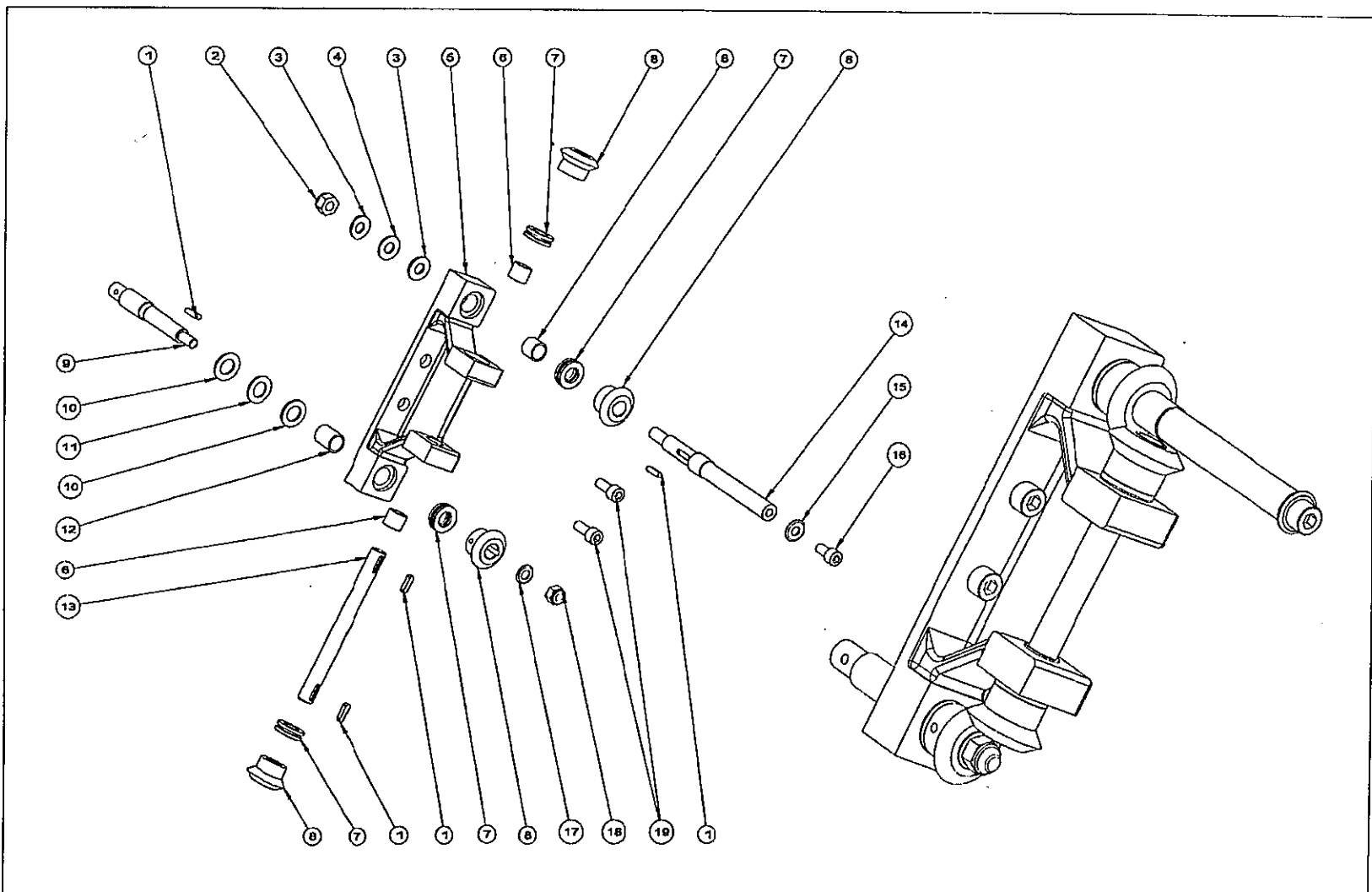
MODEL K23

ILLUSTRATED PARTS LIST

ILLUSTRATED PARTS LIST -- MODEL K23
 WADKIN LIMITED, LEICESTER

DESCRIPTION: TOPSECOND BOTTOM SPINDLE AXIAL ADJUSTMENT

REF. NO.	PART DESCRIPTION	QUANTITY
1	5mm X 5mm X 20mm LONG KEY	4
2	M12 HEXAGON LOCKNUT	1
3	LS-1226 INA THRUST WASHER	2
4	AXK-1226 INA NEEDLE RACE	1
5	BEVEL GEAR BRACKET	1
6	16mm ID X 20mm OD X 16mm LONG BUSH	3
7	RHP 51103 THRUST BEARING	3
8	STRAIGHT MITRE BEVEL GEAR	4
9	AXIAL CONNECTING SHAFT	1
10	LS-1730 INA THRUST WASHER	2
11	AXK-1730 INA THRUST BEARING	1
12	16mm ID X 20mm OD X 25mm LONG BUSH	1
13	AXIAL ADJUSTMENT BEVEL GEAR SHAFT	1
14	AXIAL ADJUSTMENT SCREW	1
15	M10 WASHER LARGE DIAMETER	1
16	HEXAGON SOCKET CAPSCREW M10 X 20mm	1
17	M10 WASHER	1
18	M10 HEXAGON LOCKNUT	1
19	M10 X 30mm HEXAGON SOCKET CAPSCREW	2



WADKIN LIMITED. LEICESTER

ASSEMBLY PROFILE OF
TOP/2ND BTM SPDL AXIAL ADJUSTMENT

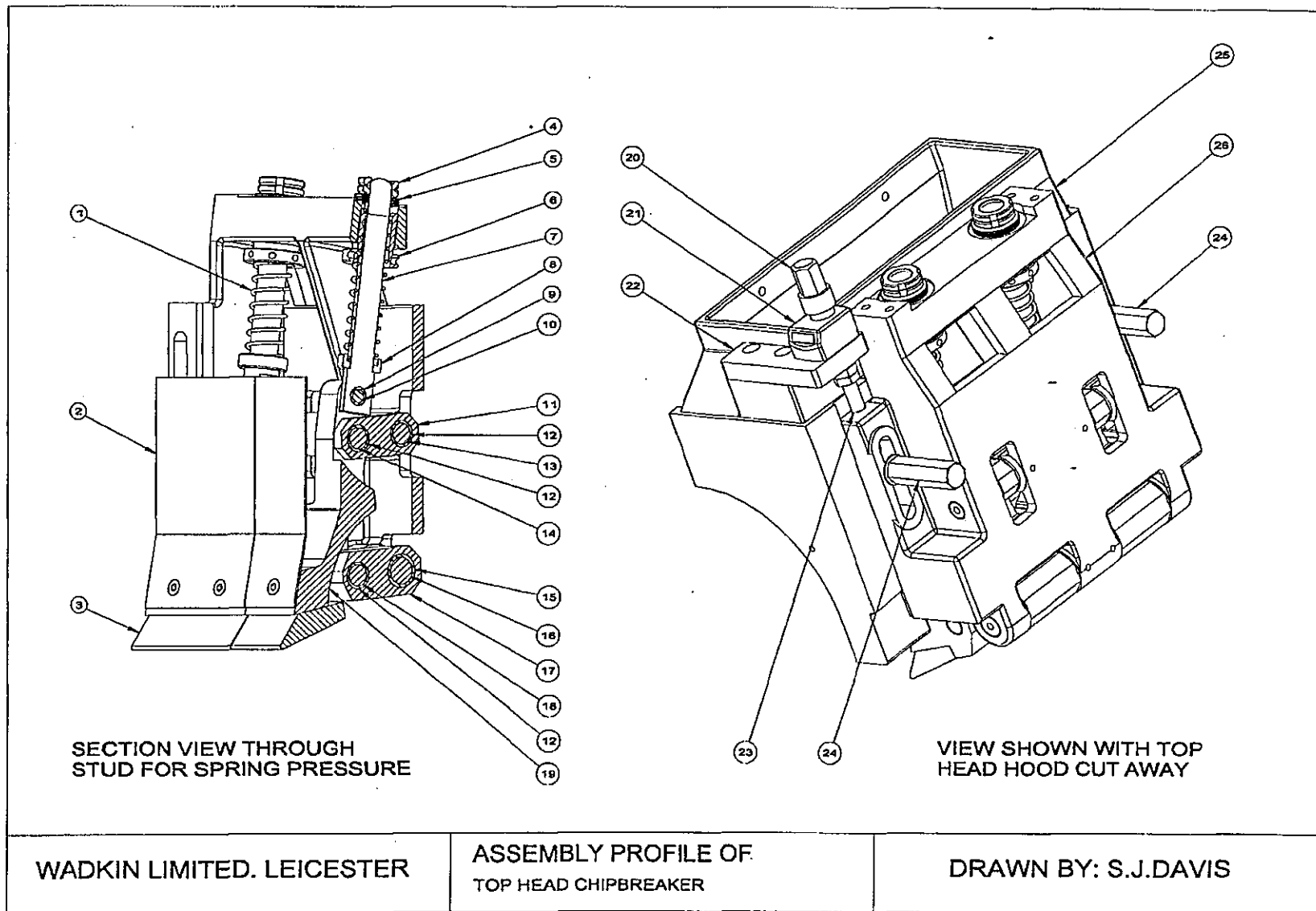
DRAWN BY: S.J.DAVIS

MODEL K23

ILLUSTRATED PARTS LIST

ILLUSTRATED PARTS LIST - MODEL K23
 WADKIN LIMITED, LEICESTER
 DESCRIPTION: TOP HEAD CHIPBREAKER

REF. NO.	PART DESCRIPTION	QUANTITY
1	LC-105M-10 COMPRESSION SPRING	2
2	CHIP DEFLECTOR	2
3	RADIAL CHIPBREAKER SHOE	2
4	M20 NOTCH NUT	4
5	92037701 C8 DISC SPRING	12
6	ADJUSTING NUT FOR SPRING PRESSURE	2
7	STUD FOR SPRING PRESSURE	2
8	SPRING CAP	2
9	10mm ID X 14mm OD X 16mm LONG BUSH	2
10	PIN FOR EYE JOINT	2
11	TOP PIVOT LINK	2
12	16mm ID X 20mm OD X 16mm LONG BUSH	8
13	SHORT PIVOT BAR	2
14	TOP BEARING PIN	2
15	20mm ID X 25mm OD X 20mm LONG BUSH	4
16	LONG PIVOT BAR	2
17	BOTTOM PIVOT LINK	2
18	BOTTOM BEARING PIN	2
19	RADIAL CHIPBREAKER	1
20	19 A/F HEXAGON END	1
21	0304E 1.75mm SIKO INDICATOR	1
22	CHIPBREAKER LEADSCREW MOUNTING PLATE	1
23	CHIPBREAKER RISE AND FALL LEADSCREW	1
24	LOCKING NUT FOR CHIPBREAKER RISE AND FALL	2
25	TOP HEAD HOOD	1
26	CHIPBREAKER BODY	1

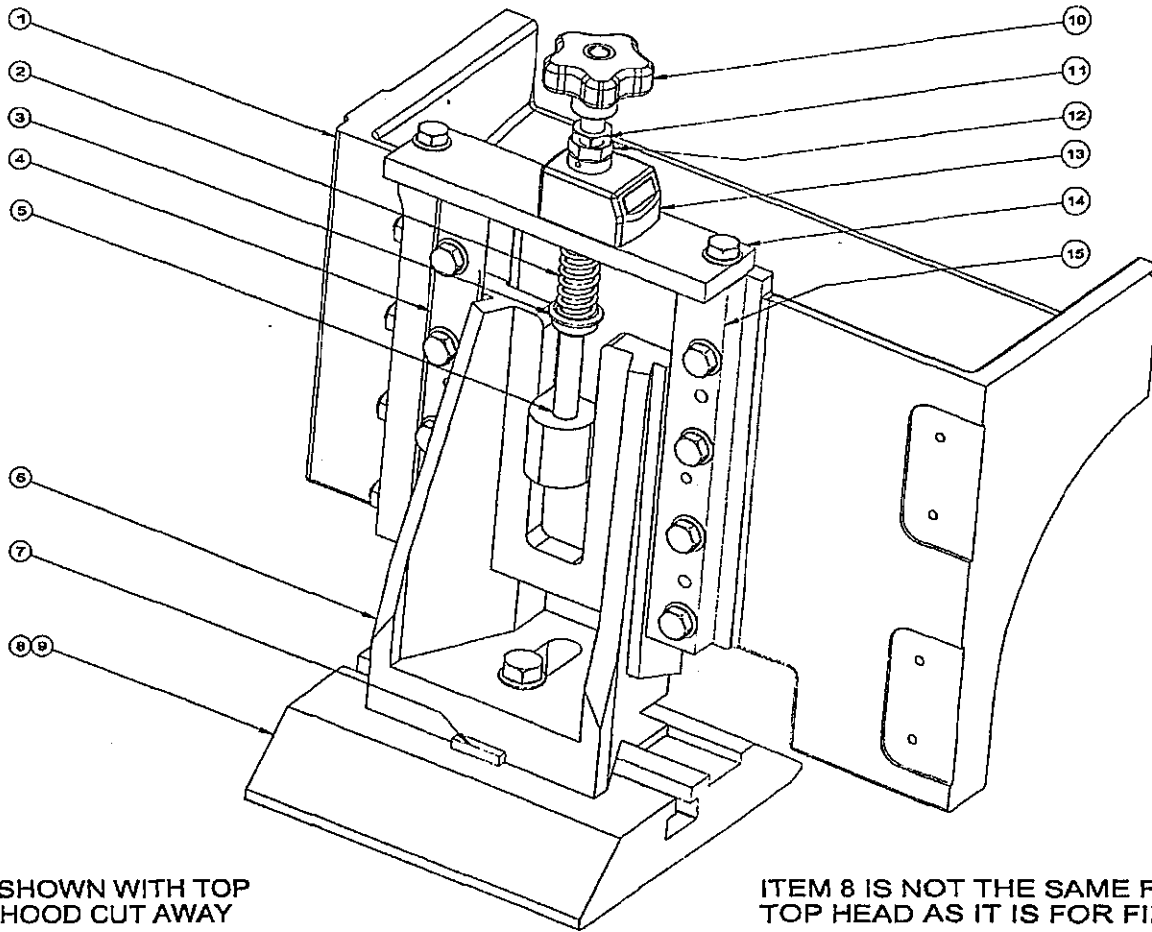


MODEL K23

ILLUSTRATED PARTS LIST

ILLUSTRATED PARTS LIST - MODEL K23
 WADKIN LIMITED, LEICESTER
 DESCRIPTION: TOP HEAD PAD PRESSURE (SINGLE)

REF. NO.	PART DESCRIPTION	QUANTITY
1	TOP HEAD HOOD	1
2	283824 FLE XO COMPRESSION SPRING	1
3	M12 WASHER	2
4	WEAR STRIP FOR PAD PRESSURE	1
5	SCREW FOR TOP HEAD PRESSURE	1
6	TOP PRESSURE SLIDE	1
7	CROSS TENON FOR PRESSURE PAD	1
8	TOP PRESSURE SHOE	1
9	M10 TEE NUT WDS.664.203	1
10	VCT50B-M10 LOBE KNOB	1
11	M10 HEXAGON LOCKNUT	1
12	ADAPTOR FOR SIKO INDICATOR	1
13	0304E 1.75mm SIKO INDICATOR	1
14	TOP PRESSURE PLATE	1
15	GIB STRIP FOR PAD PRESSURE	1



VIEW SHOWN WITH TOP
HEAD HOOD CUT AWAY

ITEM 8 IS NOT THE SAME FOR SECOND
TOP HEAD AS IT IS FOR FIRST TOP HEAD

WADKIN LIMITED. LEICESTER

ASSEMBLY PROFILE OF
TOP HEAD PAD PRESSURE (SINGLE)

DRAWN BY: S.J.DAVIS

MODEL K23

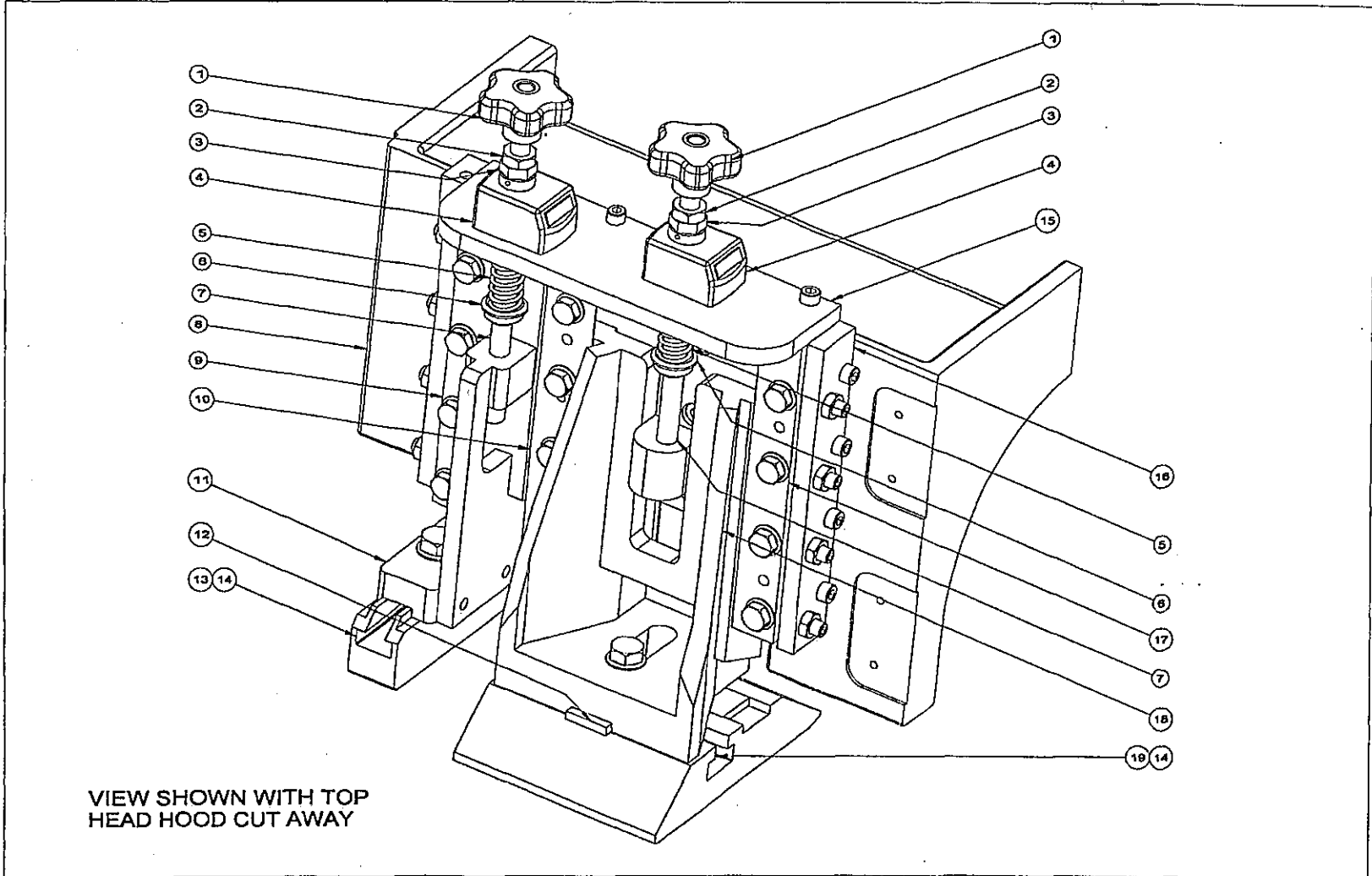
ILLUSTRATED PARTS LIST

ILLUSTRATED PARTS LIST - MODEL K23
 WADKIN LIMITED, LEICESTER

DESCRIPTION: TOP HEAD PAD PRESSURE (SPLIT)

REF. NO.	PART DESCRIPTION	QUANTITY
1	VCT508-M10 LOBE KNOB	2
2	M10 HEXAGON LOCKNUT	2
3	ADAPTOR FOR SIKO INDICATOR	2
4	0304E 1.75mm SIKO INDICATOR	2
5	283824 FLEXP COMPRESSION SPRING	2
6	M12 WASHER	4
7	SCREW FOR TOP HEAD PRESSURE	2
8	TOP HEAD HOOD	1
9	WEAR STRIP FOR PAD PRESSURE	1
10	DOUBLE VEE SLIDE	1
11	INNER TOP PRESSURE SLIDE	1
12	CROSS TENON FOR PRESSURE PAD	1
13	INNER TOP PRESSURE SHOE	1
14	M10 TEE NUT WDS.664.203	2
15	TOP PRESSURE PLATE	1
16	LOCATING STRIP FOR PAD PRESSURE	1
17	WEAR STRIP FOR PAD PRESSURE	1
18	OUTER TOP PRESSURE SLIDE	1
19	OUTER TOP PRESSURE SHOE	1

SPLIT PAD PRESSURE FITS ONTO AN ADAPTOR PLATE (NO REF. NO. GIVEN)
 UNIT CAN BE RETRO-FITTED TO MACHINES WITH SINGLE PAD PRESSURE



VIEW SHOWN WITH TOP HEAD HOOD CUT AWAY

WADKIN LIMITED. LEICESTER

ASSEMBLY PROFILE OF
TOP HEAD PAD PRESSURE (SPLIT)

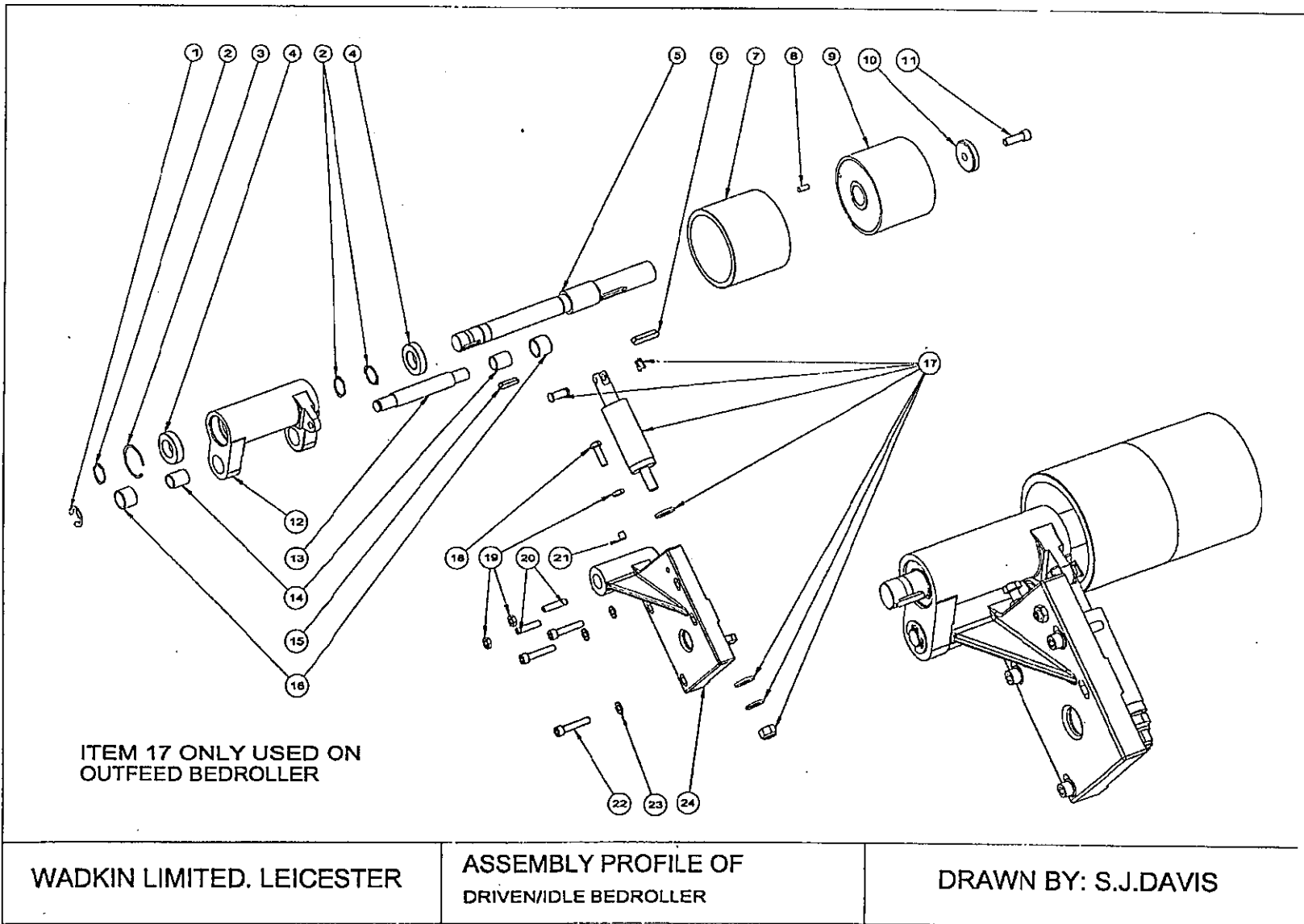
DRAWN BY: S.J.DAVIS

MODEL K23

ILLUSTRATED PARTS LIST

ILLUSTRATED PARTS LIST - MODEL K23
 WADKIN LIMITED, LEICESTER
 DESCRIPTION: DRIVEN/IDLE BEDROLLER

REF. NO.	PART DESCRIPTION	QUANTITY
1	20mm DIAMETER E RETAINING CIRCLIP	1
2	30mm DIAMETER EXTERNAL CIRCLIP	3
3	55mm DIAMETER INTERNAL CIRCLIP	1
4	6006-2RS RHP & SKF BEARING	2
5	SHAFT FOR BEDROLL	1
6	10mm X 8mm X 50mm LONG KEY	1
7	FEEDROLL - OUTFEED BOTTOM INNER	1
8	8mm X 20mm LONG PLAIN DOWEL	1
9	FEEDROLL - OUTFEED BOTTOM OUTER	1
10	PULLEY CLAMP WASHER	1
11	HEXAGON SOCKET CAPSCREW	1
12	SWING FOR BEDROLL	1
13	PIVOT SHAFT	1
14	20mm ID X 25mm OD X 30mm LONG INA INNER RING	2
15	8mm X 7mm X 36mm LONG KEY	1
16	HK25242RS INA SEALED NEEDLE BEARING	2
17	PNEUMATIC CYLINDER	1
18	M10 X 30mm HEXAGON HEAD SCREW	1
19	M10 HEXAGON LOCKNUT	3
20	M10 X 45mm GRUBSCREW	2
21	M10 X 12mm GRUBSCREW	1
22	M10 X 55mm HEXAGON SOCKET CAPSCREW	3
23	M10 WASHER	3
24	MOUNTING BRACKET FOR BEDROLL	1



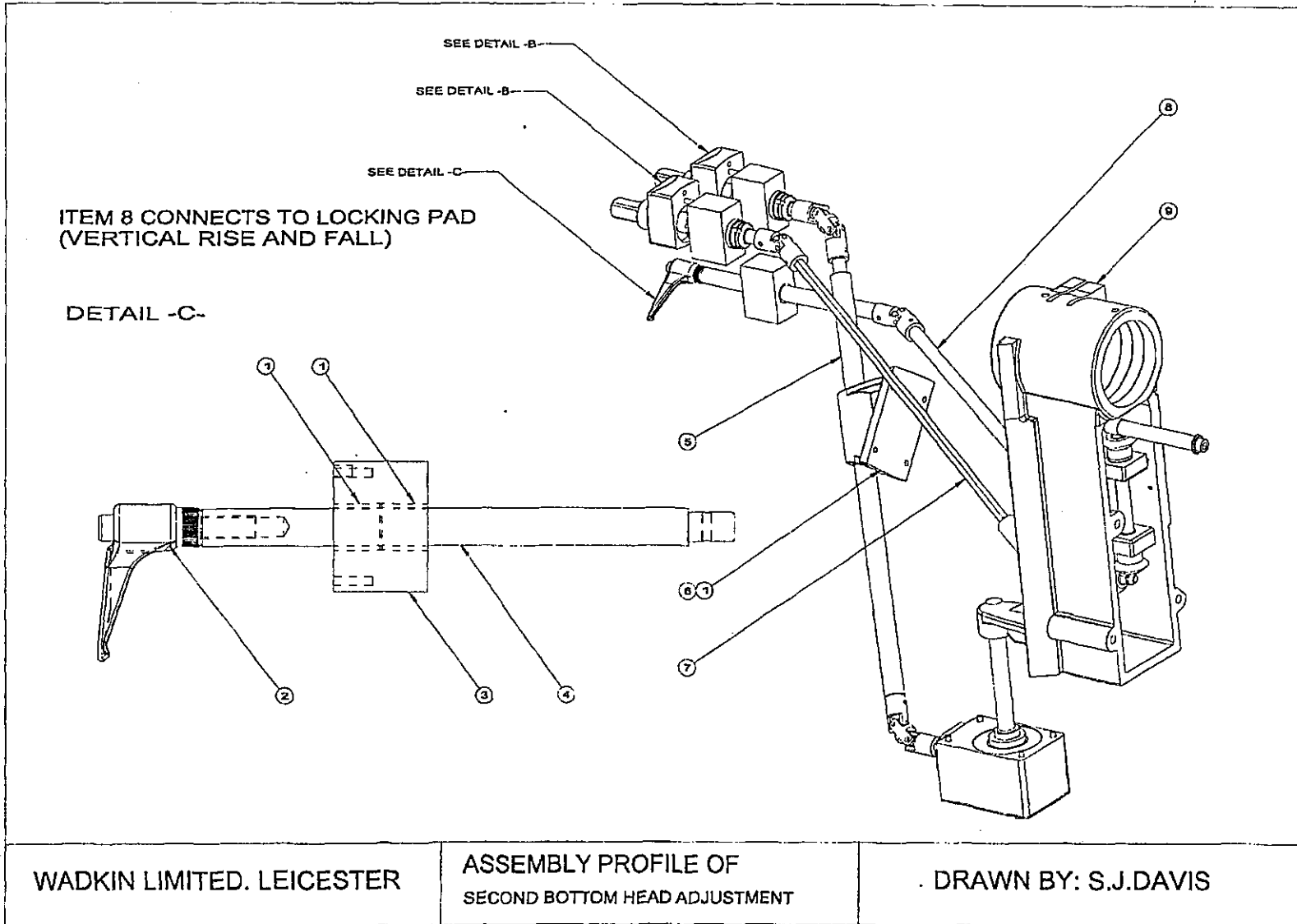
MODEL K23

ILLUSTRATED PARTS LIST

ILLUSTRATED PARTS LIST - MODEL K23
WADKIN LIMITED, LEICESTER

DESCRIPTION: SECOND BOTTOM HEAD ADJUSTMENT

REF. NO.	PART DESCRIPTION	QUANTITY
1	20mm ID X 25mm OD X 25mm LONG BUSH	4
2	M12 X 30mm MALE ADJUSTING HANDLE	1
3	BEARING HOUSING FOR HEAD ADJUSTMENT SHAFTS	1
4	INPUT SHAFT	1
5	UNIVERSAL JOINT FOR BOTTOM HEAD RISE AND FALL	1
6	UNIVERSAL JOINT BEARING HOUSING	1
7	UNIVERSAL JOINT FOR BOTTOM HEAD AXIAL ADJUSTMENT	1
8	UNIVERSAL JOINT FOR BOTTOM HEAD RISE AND FALL LOCKING	1
9	BOTTOM HEAD MOUNTING	1

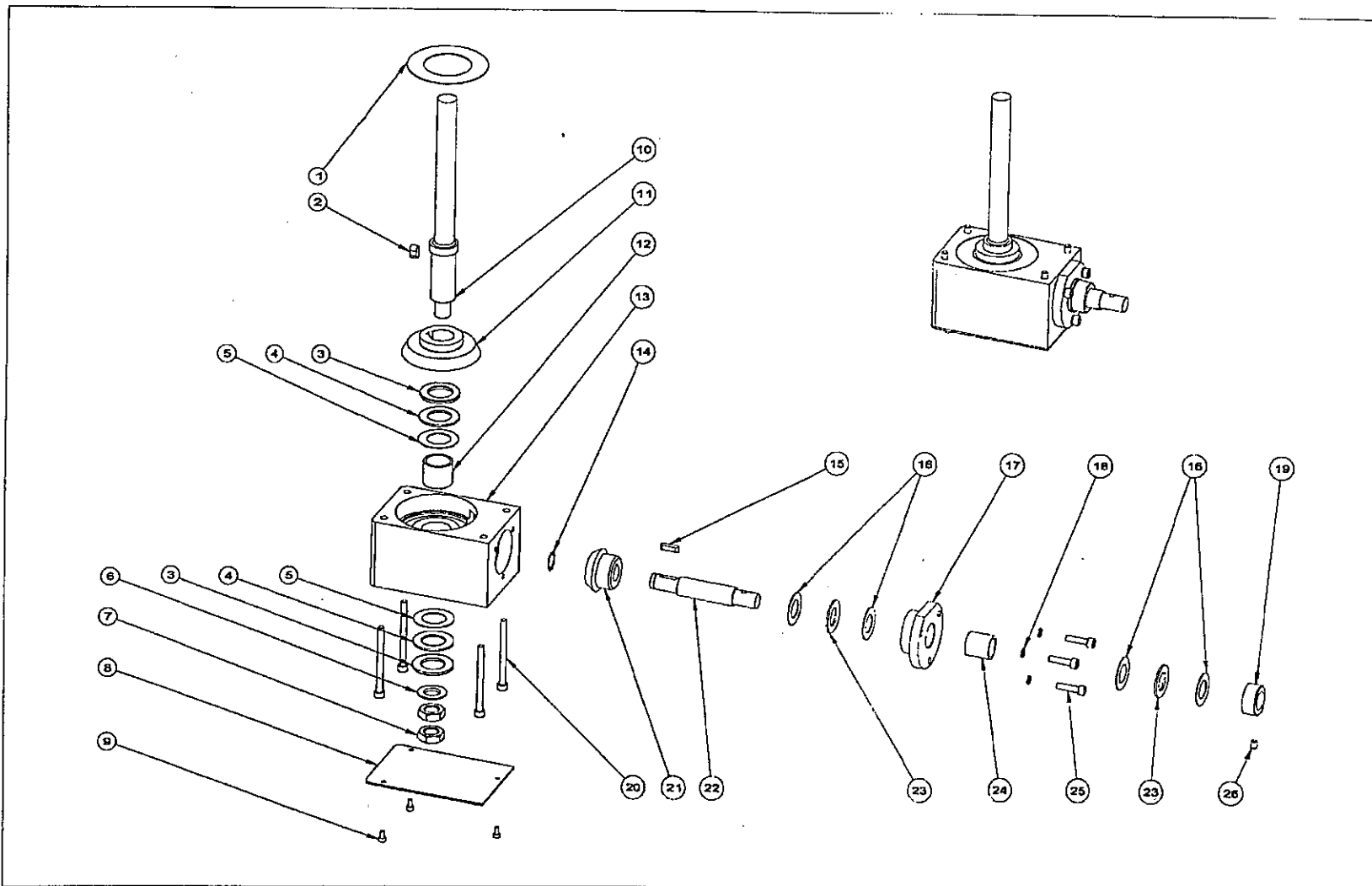


MODEL K23

ILLUSTRATED PARTS LIST

ILLUSTRATED PARTS LIST - MODEL K23
 WADKIN LIMITED, LEICESTER
 DESCRIPTION: BOTTOM HEAD RISE & FALL BEVEL BOX

REF. NO.	PART DESCRIPTION	QUANTITY
1	SEALING RING	1
2	8mm X 7mm X 14 mm LONG KEY	1
3	LS-2542 INA THRUST WASHER	2
4	AXK-2542 INA THRUST BEARING	2
5	AS-2542 INA THRUST WASHER	2
6	M16 WASHER	1
7	M16 HEXAGON LOCK NUT	2
8	COVER FOR BEVEL BOX	1
9	M4 X 8mm HEXAGON SOCKET CAPSCREW	3
10	BOTTOM HEAD RISE AND FALL SCREW	1
11	BEVEL GEAR FOR TOP HEAD RISE AND FALL	1
12	25mm ID X 30mm OD X 25mm LONG BUSH	1
13	BEVEL BOX BOTTOM HEAD VERTICAL ADJUSTMENT	1
14	16mm DIAMETER EXTERNAL CIRCLIP	1
15	5mm X 5mm X 20mm LONG KEY	1
16	AS-2035 INA THRUST WASHER	4
17	END CAP RISE AND FALL BEVEL BOX	1
18	M6 SPRING WASHER SINGLE COIL	3
19	COLLAR	1
20	M6 X 75mm HEXAGON SOCKET CAPSCREW	4
21	BEVEL GEAR FOR TOP HEAD RISE AND FALL	1
22	CROSS SHAFT BOTTOM HEAD RISE AND FALL	1
23	AXK-2035 INA THRUST BEARING	2
24	20mm ID X 25mm OD X 25mm LONG BUSH	1
25	M6 X 25mm HEXAGON SOCKET CAPSCREW	3
26	M6 X 8mm GRUBSCREW	1



WADKIN LIMITED. LEICESTER

ASSEMBLY PROFILE OF
BOTTOM HEAD RISE & FALL BEVEL BOX

DRAWN BY: S.J.DAVIS

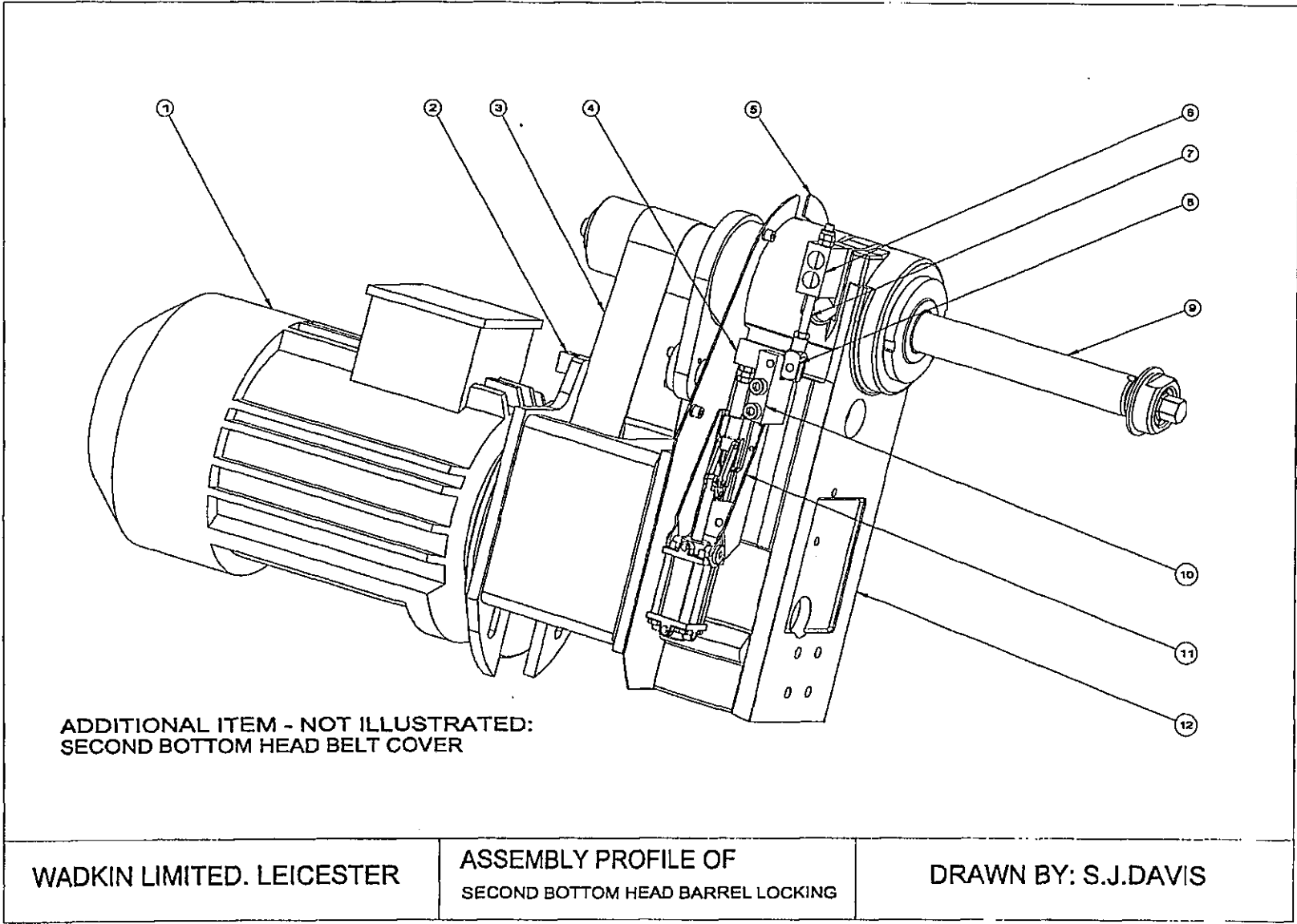
MODEL K23

ILLUSTRATED PARTS LIST

ILLUSTRATED PARTS LIST - MODEL K23
 WADKIN LIMITED, LEICESTER

DESCRIPTION: SECOND BOTTOM HEAD BARREL LOCKING

REF. NO.	PART DESCRIPTION	QUANTITY
1.	SECOND BOTTOM HEAD MOTOR	1
2	HORIZONTAL HEAD MOTOR BRACKET	1
3	SECOND BOTTOM HEAD DRIVE BELT	1
4	HORIZONTAL HEAD AXIAL ADJUSTMENT PIVOT BAR	1
5	BACKPLATE FOR SECOND BOTTOM HEAD BELT COVER	1
6	HORIZONTAL HEAD AXIAL ADJUSTMENT SPINDLE LOCKING BLOCK	1
7	HORIZONTAL HEAD AXIAL ADJUSTMENT THREADED LOCKING SHAFT	1
8	SG-M8 FESTO CLEVIS	1
9	SECOND BOTTOM HEAD SPINDLE	1
10	BOTTOM HEAD AXIAL ADJUSTMENT PIVOT BLOCK	1
11	PFA360/SP3 PNEUMATIC TOGGLE CLAMP	1
12	SECOND BOTTOM HEAD HOUSING	1



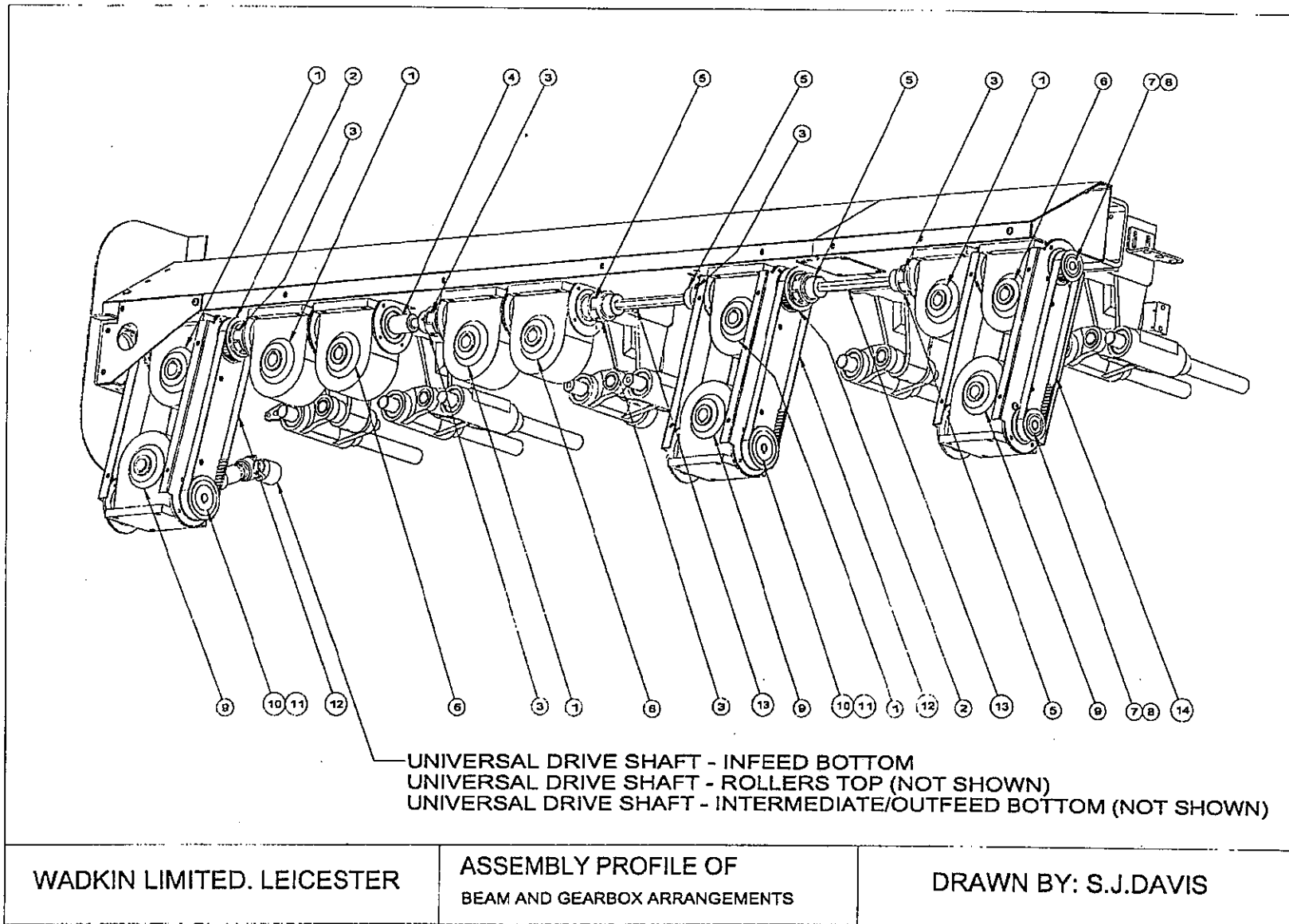
MODEL K23

ILLUSTRATED PARTS LIST

ILLUSTRATED PARTS LIST - MODEL K23
 WADKIN LIMITED, LEICESTER

DESCRIPTION: BEAM AND GEARBOX ARRANGEMENTS

REF. NO.	PART DESCRIPTION	QUANTITY
1	GEARBOX -TYPE 1	5
2	PULLEY/COUPLING	2
3	COUPLING - TYPE 1	6
4	GEARBOX EXTENSION SHAFT	1
5	COUPLING - TYPE 2	4
6	GEARBOX - TYPE 2	3
7	TIMING BELT PULLEY - TYPE 1	2
8	TAPER LOCK BUSH - TYPE 1	2
9	GEARBOX - TYPE 3	3
10	TIMING BELT PULLEY - TYPE 2	2
11	TAPER LOCK BUSH - TYPE 2	2
12	TIMING BELT - INFEED BOTTOM AND INTERMEDIATE BOTTOM	2
13	CONNECTING SHAFT	2
14	TIMING BELT - OUTFEED BOTTOM	1
MINEX GEAR RING NO. 28 (NOT SHOWN) PLACED BETWEEN COUPLINGS EACH GEARBOX HOLDS OUTPUT SHAFT (170 BOX)		



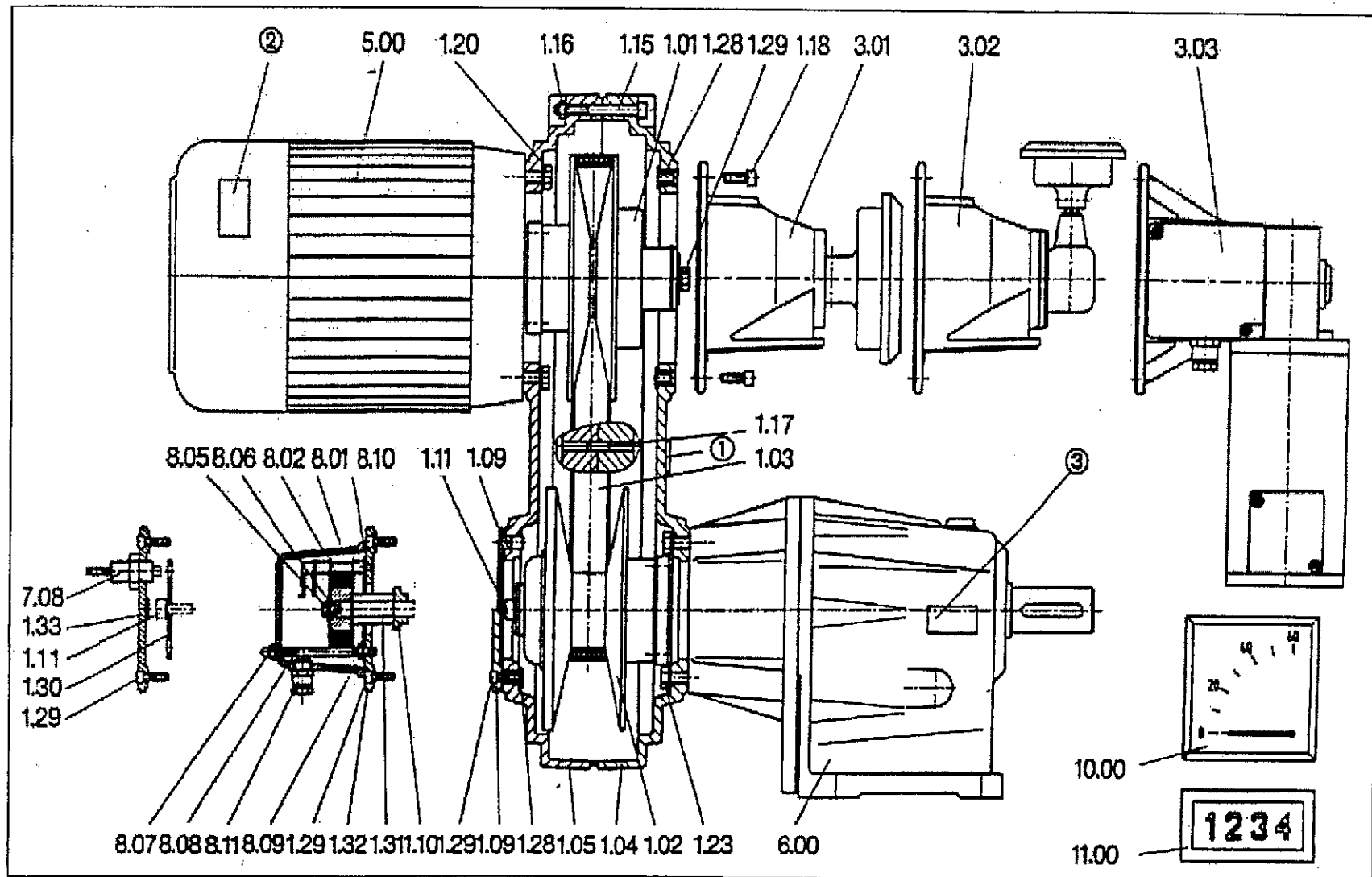
MODEL K23

ILLUSTRATED PARTS LIST

ILLUSTRATED PARTS LIST - MODEL K23
 WADKIN LIMITED, LEICESTER

DESCRIPTION: SIMPLABELT Z CONFIGURATION VARIABLE SPEED DRIVE

REF. NO.	PART DESCRIPTION
1	NAME PLATE - DRIVE UNIT COMPLETE
2	NAME PLATE - MOTOR
3	NAME PLATE - GEARBOX
1.01	MECHANICAL ADJUSTMENT VARIABLE SPEED PULLEY
1.02	SPRING LOADE VARIABLE SPEED PULLEY
1.03	WIDE SECTION V-BELT
1.04	HOUSING
1.05	HOUSING
1.09	COVER
1.10	COVER
1.11	SOCKET HEAD CAPSCREW/DIN 912
1.12	HEXAGON HEAD SCREW DIN 931
1.15	SOCKET HEAD CAPSCREW/DIN 912
1.16	HEXAGON NUT DIN 934
1.17	PIN (ONLY FOR SIZES 20, 25, 31)
1.18	SOCKET HEAD CAPSCREW/DIN 912
1.20	HEXAGON HEAD SCREW DIN 933
1.23	HEXAGON HEAD SCREW DIN 933
1.28	NUT INSERT
1.29	SCREW/DIN 7500
1.30	PERFORATED DISC
1.31	AXIAL TIGHTENING SCREW
1.32	COVER FOR SPEED INDICATION
1.33	COVER FOR IMPULSE RECORDER
3.01	FRONT ADJUSTMENT
3.02	ANGULAR ADJUSTMENT
3.03	SERVO ADJUSTMENT
5.00	MOTOR
6.00	GEARBOX
7.08	IMPULSE RECORDER
8.01	HOUSING COVER
8.02	TACHO GENERATOR
8.05	HEXAGON HEAD SCREW DIN 933
8.06	WASHER DIN 7349
8.07	CAP NUT DIN 986
8.09	STUDDING DIN 835
8.10	HEXAGON NUT
8.11	PIN/DIN 1481
10.00	SCREW GLAND
11.00	ANALOGUE INDICATOR DEVICE
	DIGITAL INDICATOR DEVICE
	INFORMATION SUPPLIED BY LENZE POWER TRANSMISSION



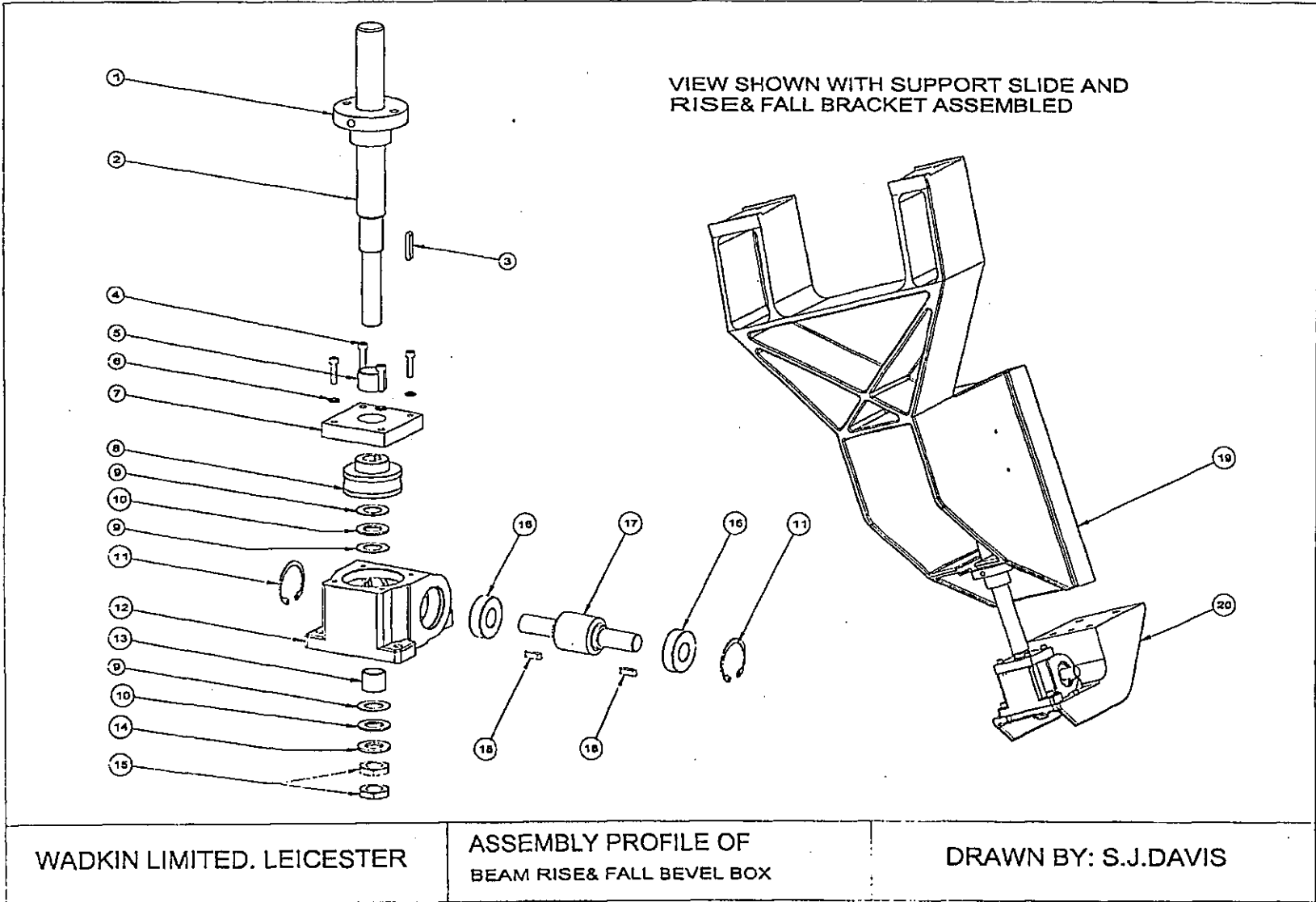
MODEL K23

ILLUSTRATED PARTS LIST

ILLUSTRATED PARTS LIST - MODEL K23
 WADKIN LIMITED, LEICESTER

DESCRIPTION: BEAM RISE & FALL BEVEL BOX

REF. NO.	PART DESCRIPTION	QUANTITY
1	RISE AND FALL NUT	1
2	BEAM RISE AND FALL SCREW	1
3	6mm X 6mm X 32mm LONG KEY	1
4	M6 X 25mm HEXAGON SOCKET CAPSCREW	4
5	25mm ID X 30mm OD X 20mm LONG BUSH	1
6	M6 WASHER	4
7	TOP COVER FOR WORMGEAR HOUSING	1
8	WORM FOR BEAM RISE AND FALL	1
9	AS-2035 INA THRUST WASHER	3
10	AXK-2035 INA THRUST BEARING	2
11	47mm DIAMETER INTERNAL CIRCLIP	2
12	WORMGEAR HOUSING	1
13	20mm ID X 25mm OD X 20mm LONG BUSH	1
14	LS-2035 INA THRUST WASHER	1
15	M20 HEXAGON LOCKNUT	2
16	6204-2RS RHP & SKF BEARING	2
17	WORM WHEEL FOR BEAM RISE AND FALL	1
18	6mm X 6mm X 20mm LONG KEY	2
19	FEEDWORKS BEAM SUPPORT SLIDE	1
20	BRACKET FOR RISE AND FALL GEARBOX	1



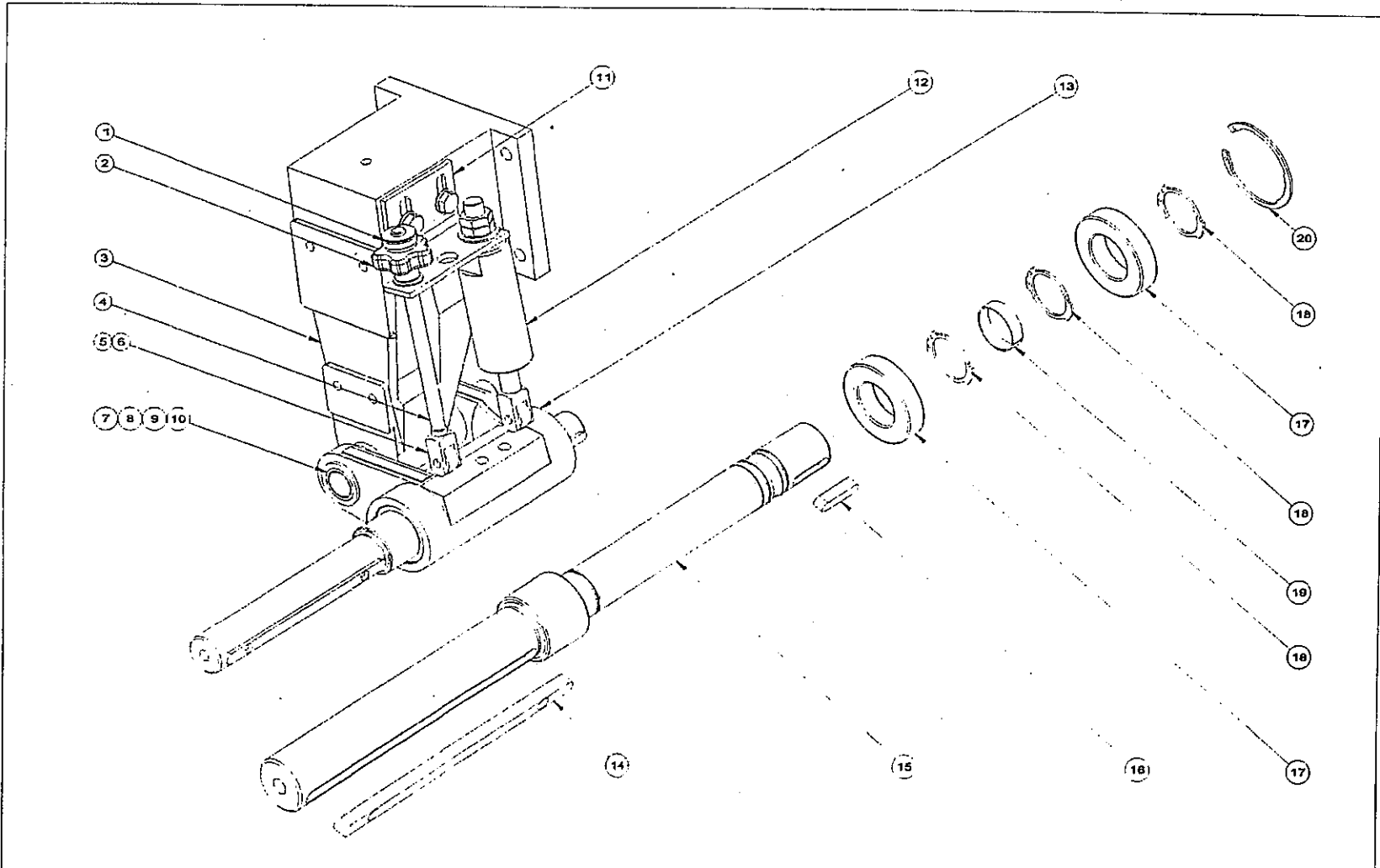
MODEL K23

ILLUSTRATED PARTS LIST

ILLUSTRATED PARTS LIST - MODEL K23
 WADKIN LIMITED, LEICESTER

DESCRIPTION: SHAFT MOUNTED FEEDROLL

REF. NO.	PART DESCRIPTION	QUANTITY
1	WDS.614.204 M12 THUMB NUT	1
2	VCT50FP-M12 LOBE KNOB	1
3	BRACKET FOR FEEDROLL SWINGS	1
4	FEEDROLL HEIGHT ADJUSTING STUD	1
5	SG-M12 FESTO CLEVIS	1
6	EYEBOLT FOR FEEDROLL ADJUSTMENT	2
7	SWING PIVOT SHAFT	1
8	25mm ID X 30mm OD X 25mm LONG BUSH	2
9	50mm OD X 25.4mm ID DISC SPRING	2
10	SPACER FOR FEEDROLL SWING	1
11	ANCHOR BRACKET RIGHT HAND FOR FEEDROLL ADJUSTMENT	1
12	PNEUMATIC CYLINDER	1
13	FEEDROLL SWING	1
14	KEY FOR FEEDROLL SHAFT	1
15	FEEDROLL SHAFT	1
16	8mm X 7mm X 30mm LONG KEY	1
17	6006-2RS RHP & SKF BEARING	2
18	30mm DIAMETER EXTERNAL CIRCLIP	3
19	SV30X8SS RENCOL TOLERANCE RING	1
20	55mm DIAMETER INTERNAL CIRCLIP	1



WADKIN LIMITED. LEICESTER

ASSEMBLY PROFILE OF
SHAFT MOUNTED FEEDROLL

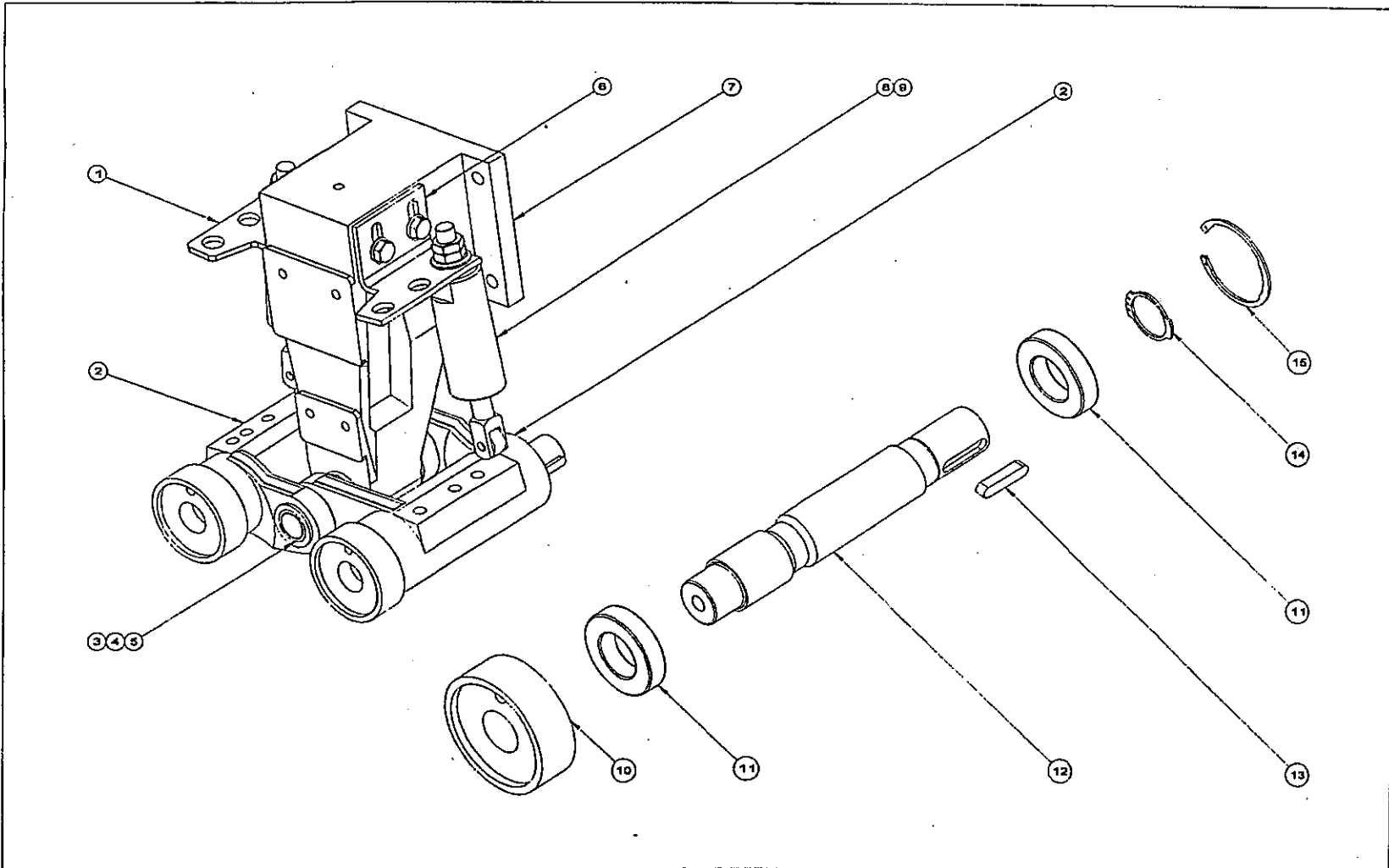
DRAWN BY: S.J.DAVIS

MODEL K23

ILLUSTRATED PARTS LIST

ILLUSTRATED PARTS LIST - MODEL K23
 WADKIN LIMITED, LEICESTER
 DESCRIPTION: FLANGED MOUNTED FEEDROLL

REF. NO.	PART DESCRIPTION	QUANTITY
1	ANCHOR BRACKET LEFT HAND FOR FEEDROLL ADJUSTMENT	1
2	FEEDROLL SWING	2
3	SWING PIVOT SHAFT	1
4	25mm ID X 30mm OD X 25mm LONG BUSH	4
5	50mm OD X 25.4mm ID DISC SPRING	2
6	ANCHOR BRACKET RIGHT HAND FOR FEEDROLL ADJUSTMENT	1
7	BRACKET FOR FEEDROLL SWINGS	1
8	PNEUMATIC CYLINDER	2
9	EYEBOLT FOR FEEDROLL ADJUSTMENT	2
10	FEEDROLL MOUNTING FLANGE	1
11	6006-2RS RHP & SKF BEARING	4
12	FEEDROLL SHAFT	2
13	8mm X 7mm X 36mm LONG KEY	2
14	30mm DIAMETER EXTERNAL CIRCLIP	2
15	55mm DIAMETER INTERNAL CIRCLIP	2



WADKIN LIMITED. LEICESTER

ASSEMBLY PROFILE OF
FLANGED MOUNTED FEEDROLL

DRAWN BY: S.J.DAVIS