



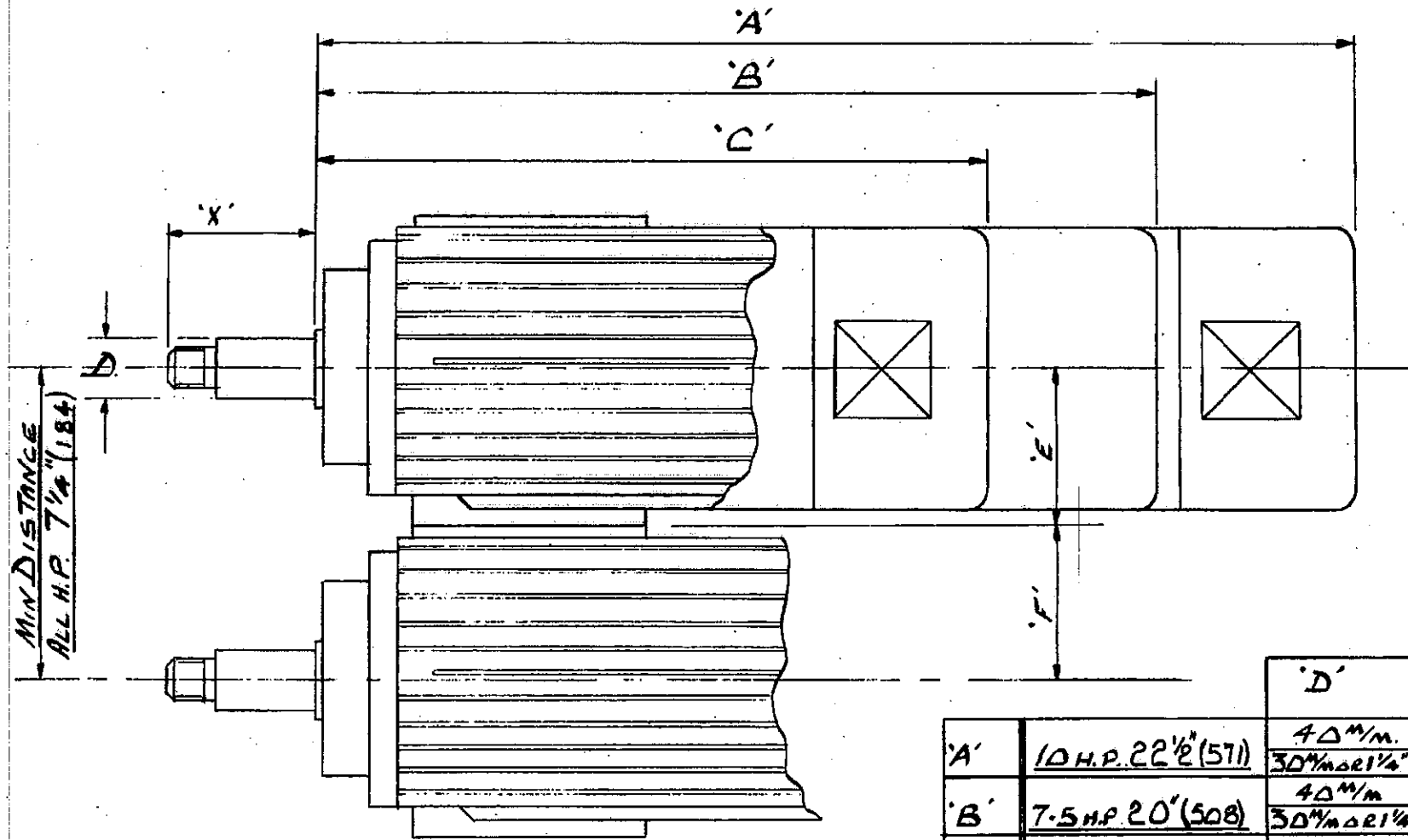
CAPACITY DIAGRAMS

for

Double End Tenoners Type W.N. W.N.D. and W.N.F.

BOOKLET No. 1138

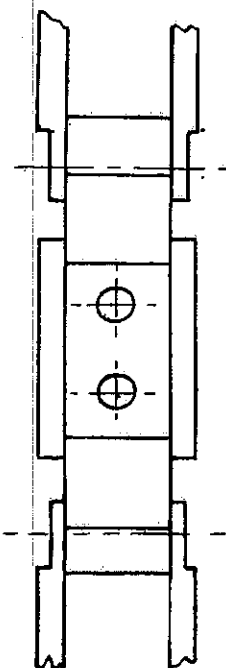
Note: Metric dimensions are given in brackets.



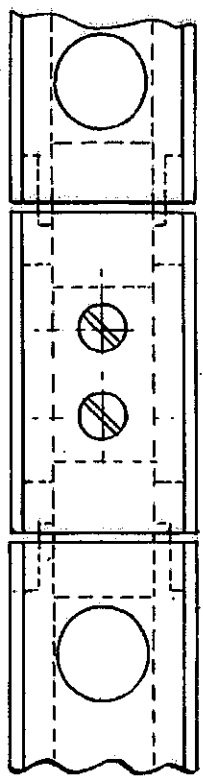
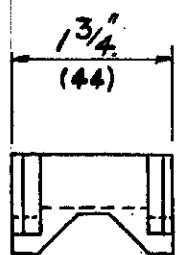
OVERALL DIMENSIONS OF STANDARD

W.N. & W.N.F. MOTORS

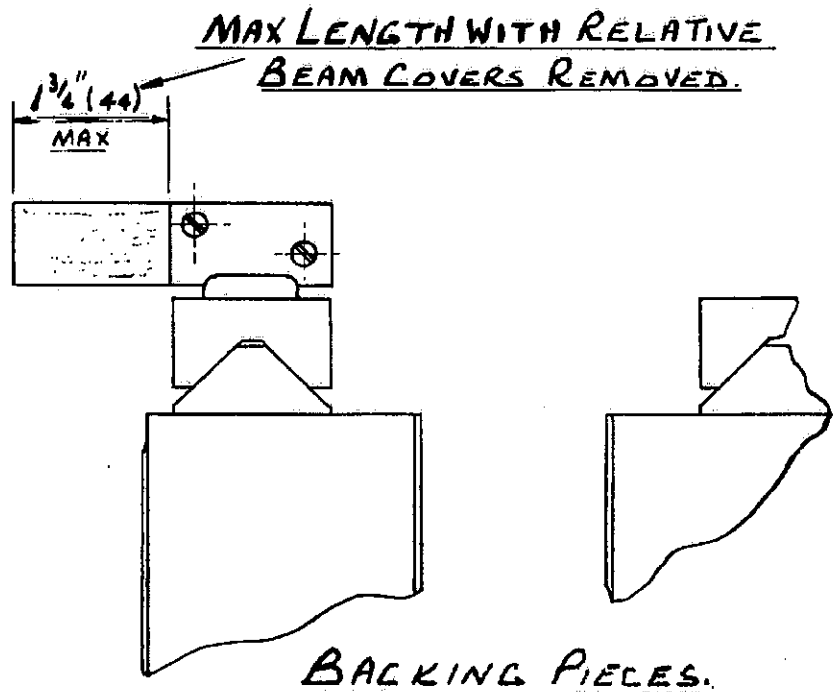
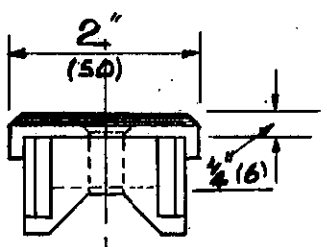
		'D'	'X'
'A'	10 H.P. 22 1/2" (571)	40" m/m.	6" (152)
		30" m/m or 1 1/4"	3 5/8" (92)
'B'	7.5 H.P. 20" (508)	40" m/m.	6" (152)
		30" m/m or 1 1/4"	3 7/8" (92)
'C'	5 H.P. 17 1/4" (438)	30" m/m or 1 1/4"	3 5/8" (92)
'E'	5.7-5.8 10 H.P. 3 7/8" (98)		
'F'	5.7-5.8 10 H.P. 3 5/8" (92)		



STANDARD TRACK



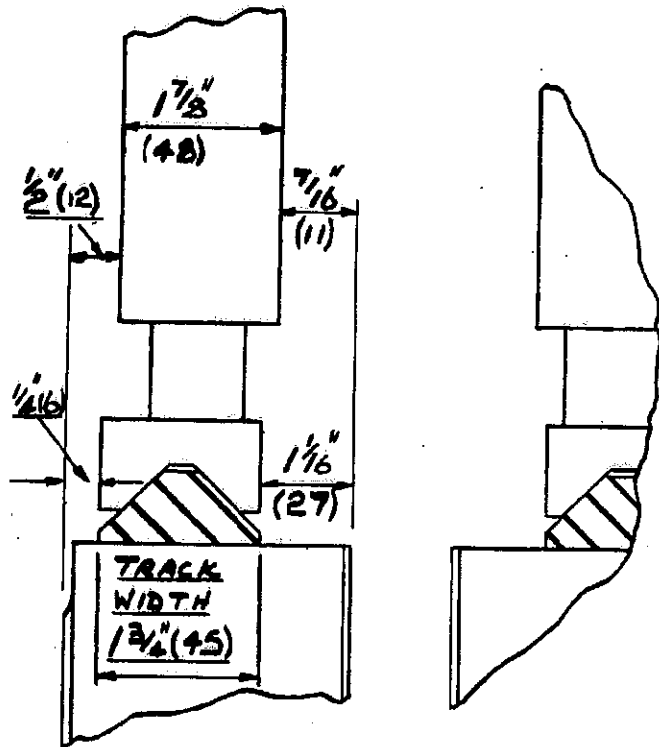
PLATFORM TRACK



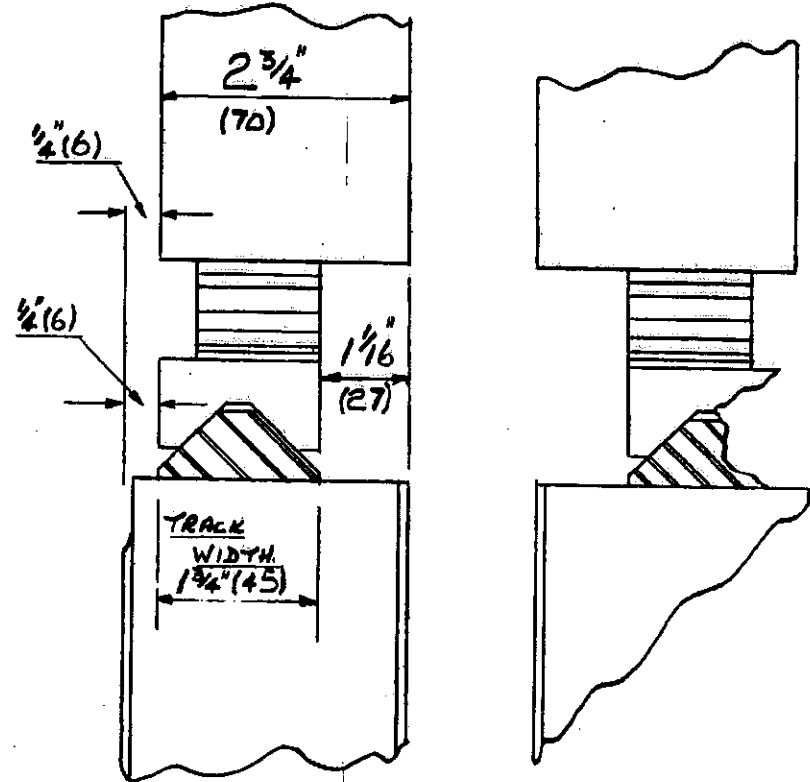
BACKING PIECES.

STANDARD TRACK, PLATFORM TRACK & MAX LENGTH OF BACKING PIECE.

W.N. & W.N.F.



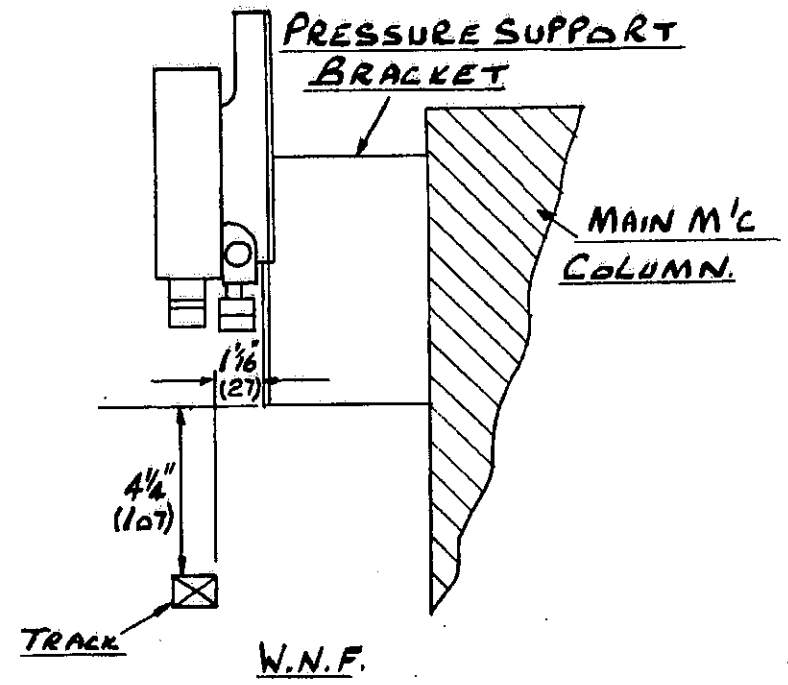
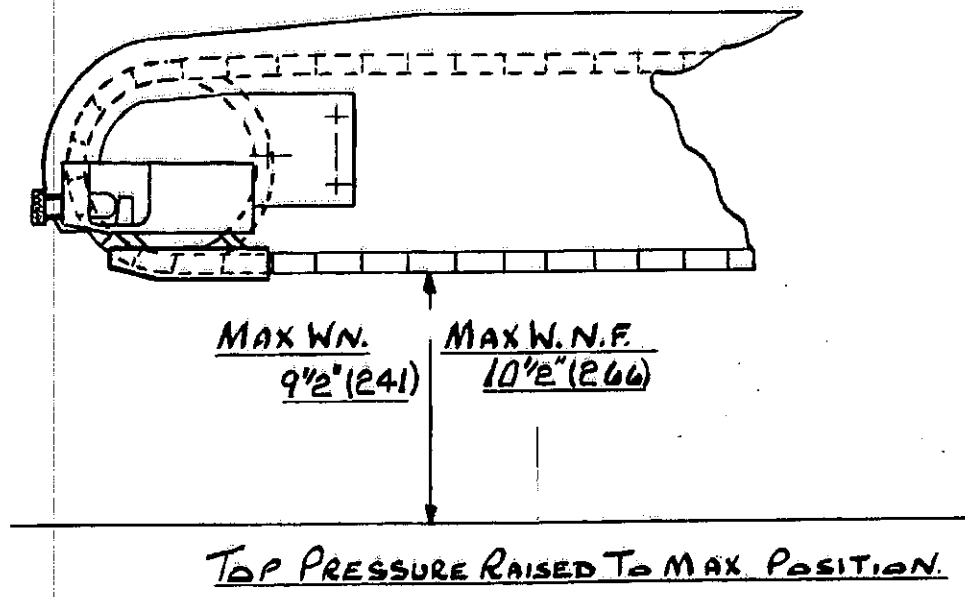
CATERPILLAR TOP PRESSURE



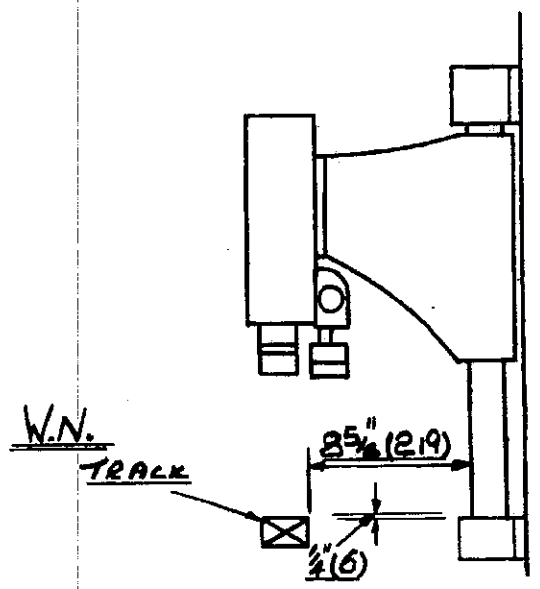
V BELT TOP PRESSURE

TOP PRESSURES IN STANDARD POSITIONS

W.N. & W.N.F.

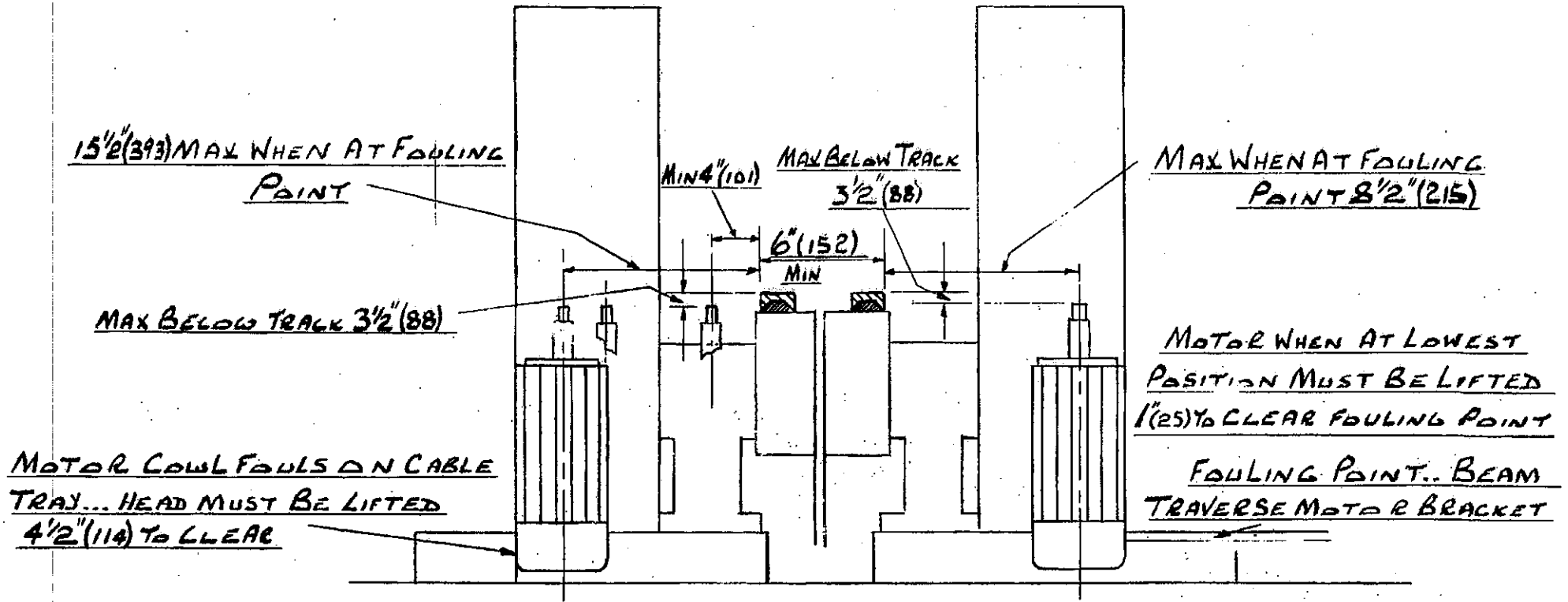


CAPACITIES OF TOP PRESSURES
W.N. & W.N.F.



FIXED BEAM

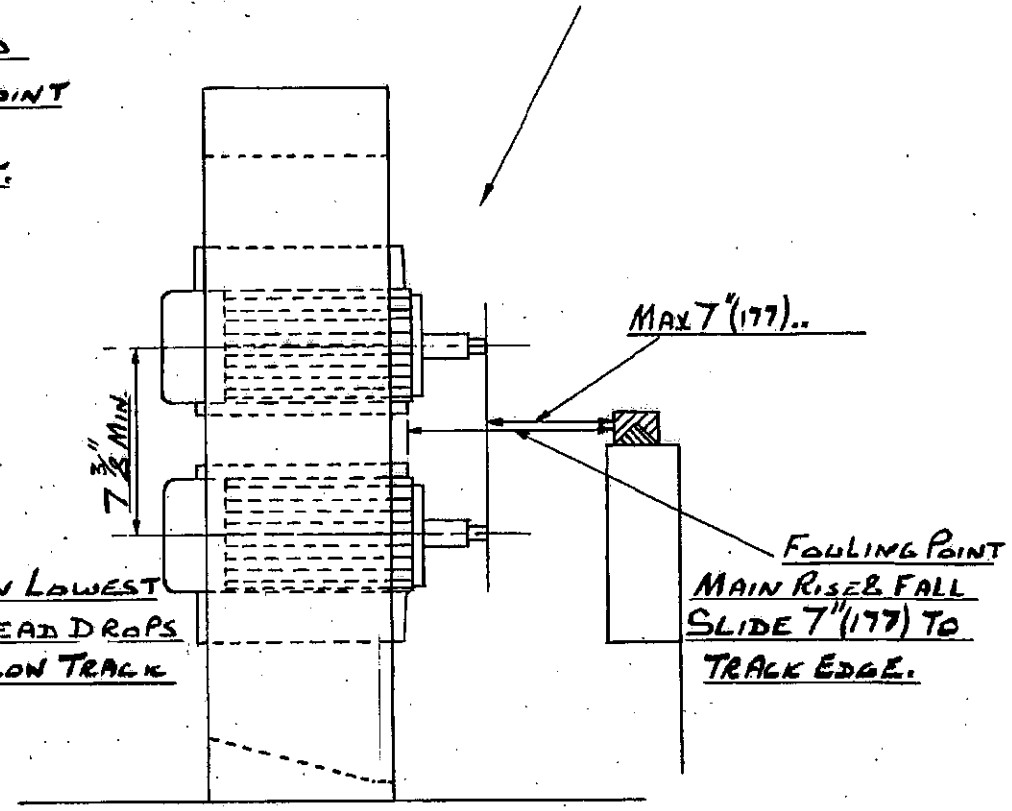
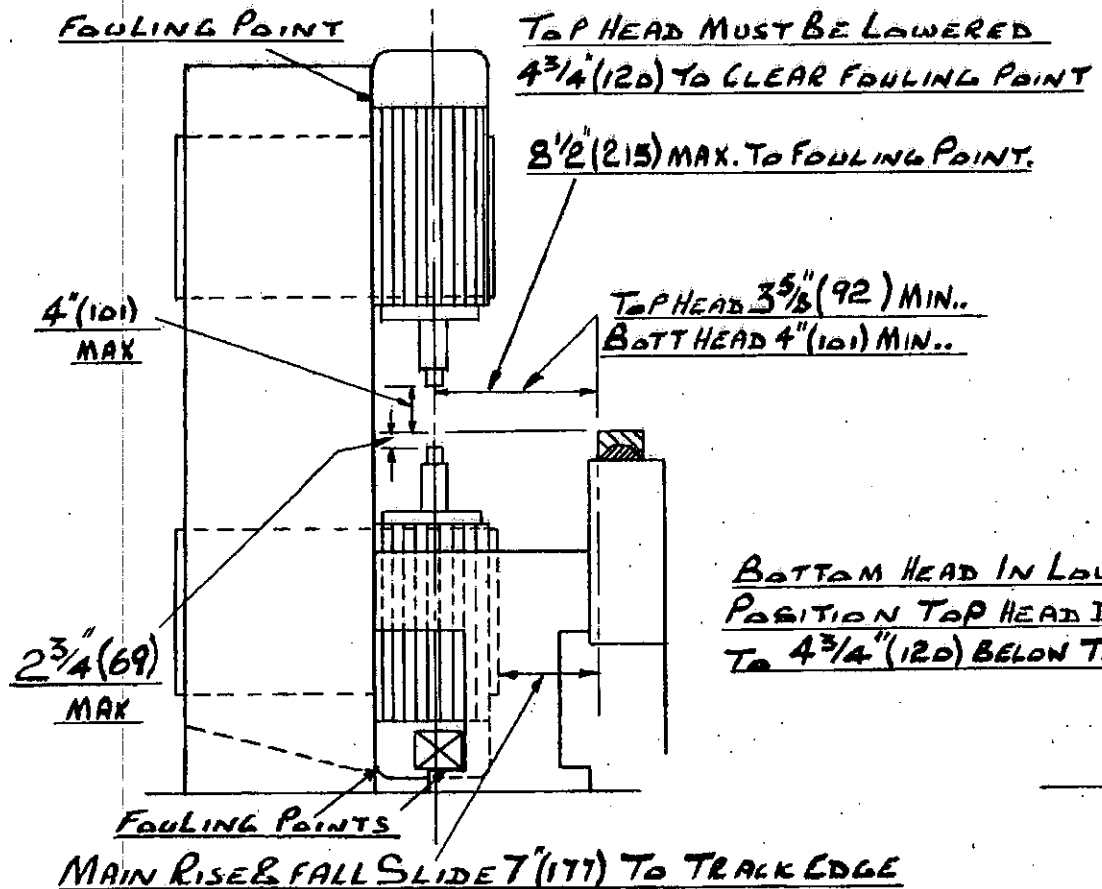
ADJUSTABLE BEAM



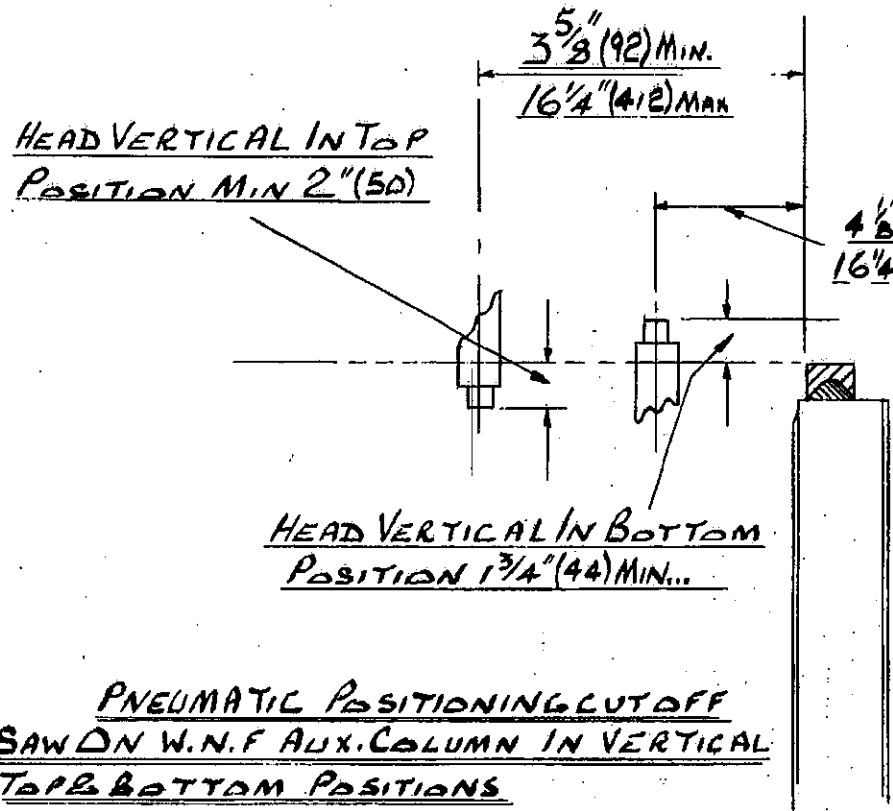
S.H.P. HEADS FRONT OF COLUMNS.. W.N.

BOTTOM HEAD IN LOWEST POSITION..
HEAD MUST BE LIFTED 1 1/4" (31) TO CLEAR FOULING
POINT.. IT WILL THEN MOVE OUT TO 11" (279)

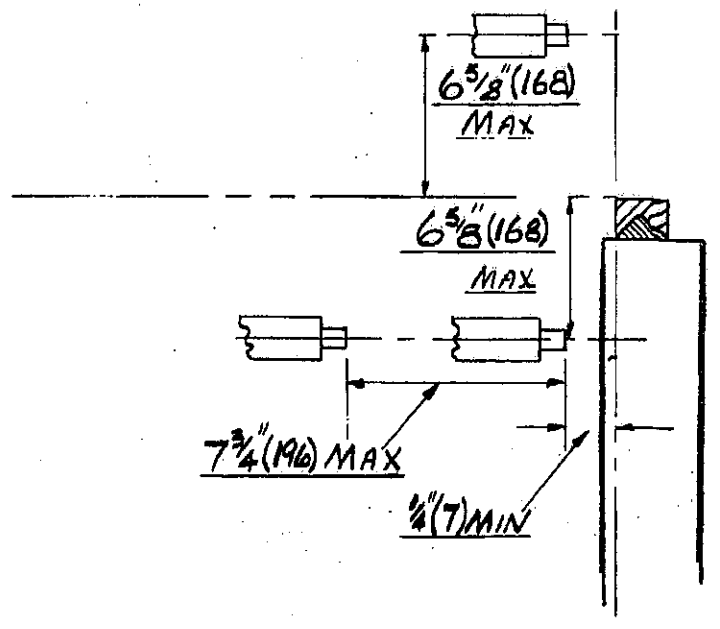
TOP HEAD IN HIGHEST POSITION..
BOTTOM HEAD RISES TO 5" (127) MAX.
ABOVE TRACK LEVEL.



5 H.P. HEADS VERTICAL & HORIZONTAL INSIDE
COLUMN.. FIXED & ADJUSTABLE ON W.N.

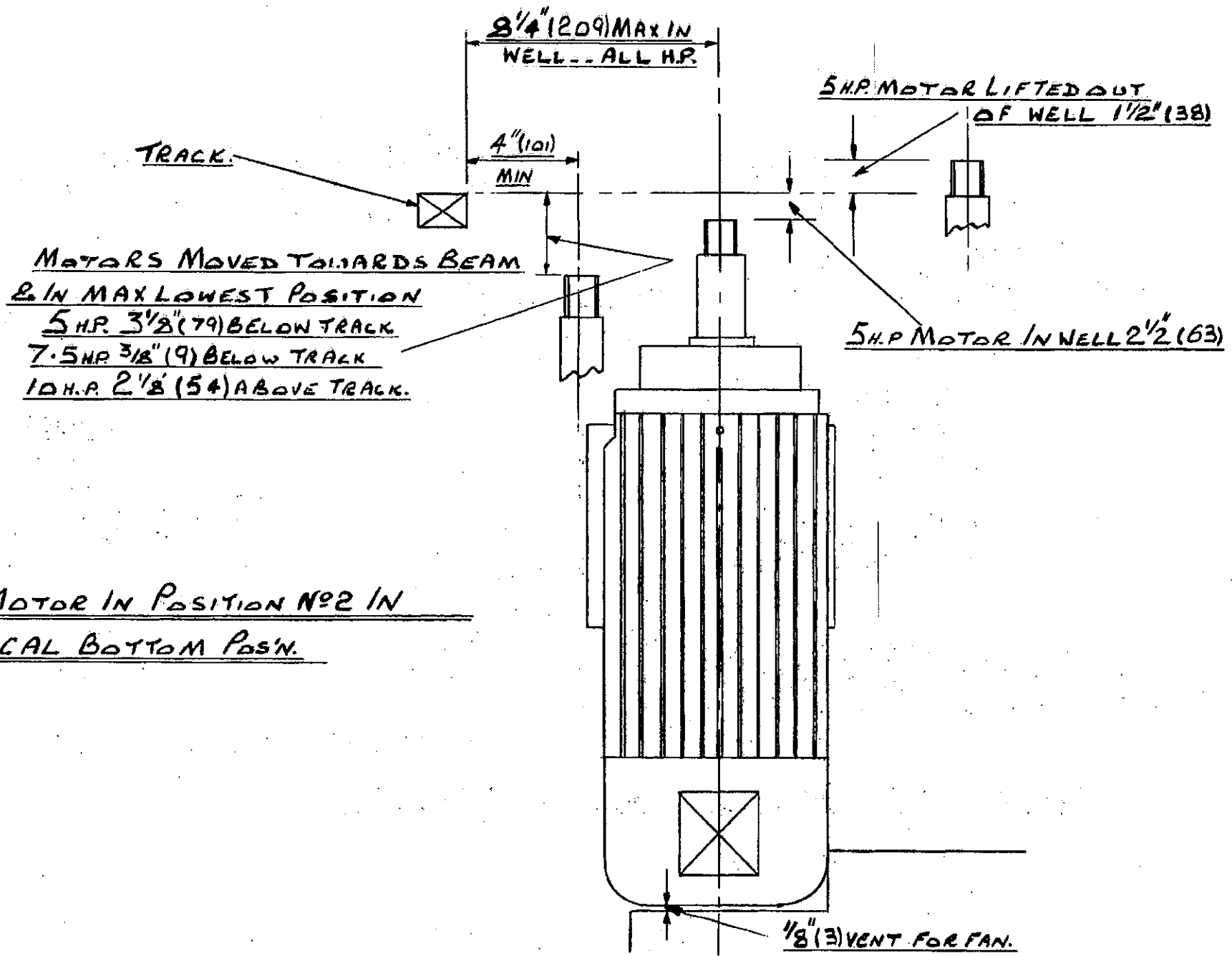


HEADS ARE ADJUSTABLE TO STOPS
6 POSITION STOPS COVERING A RANGE OF $3\frac{3}{4}" (95)$

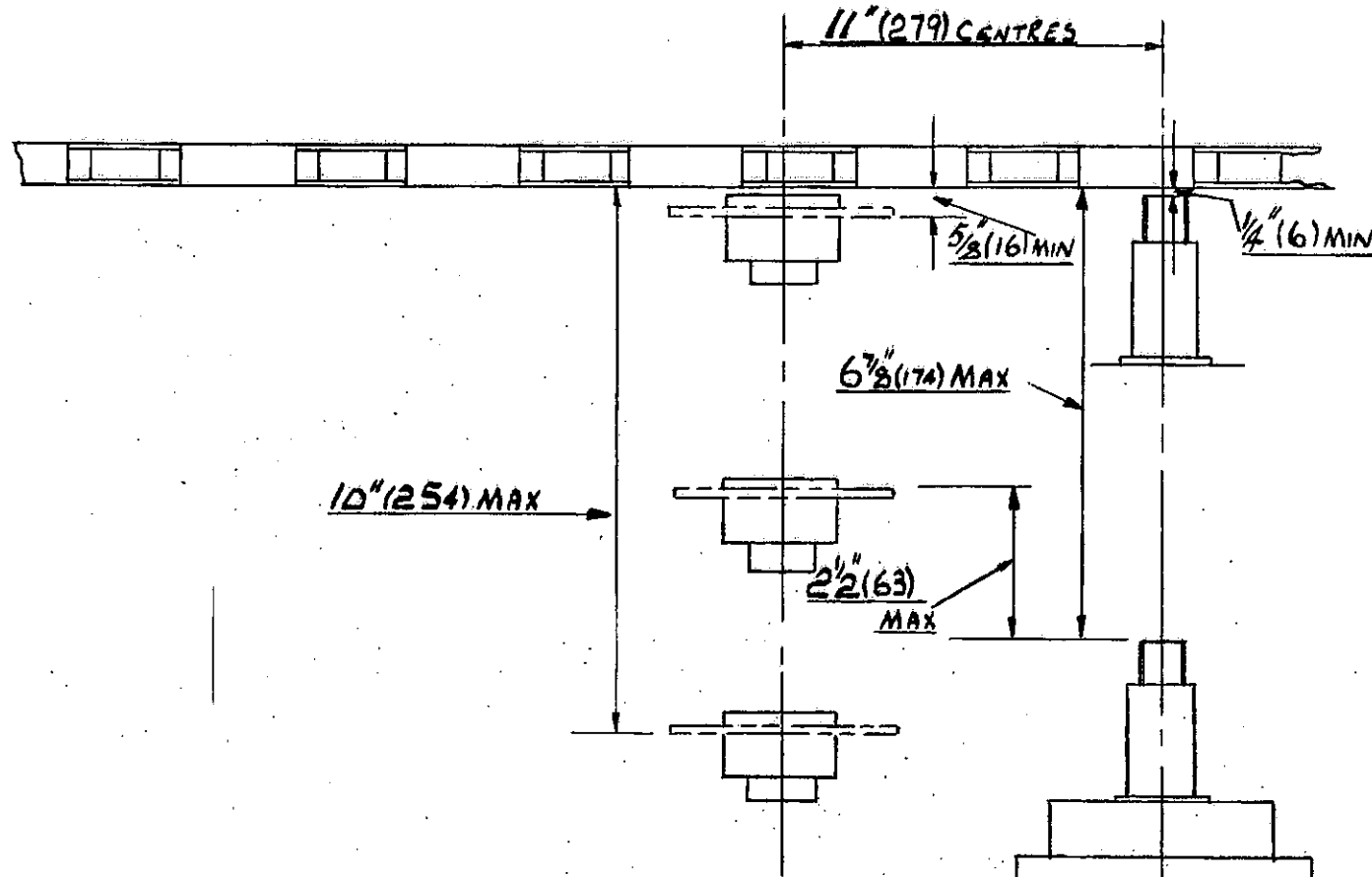


HEAD IN HORIZONTAL POSITION

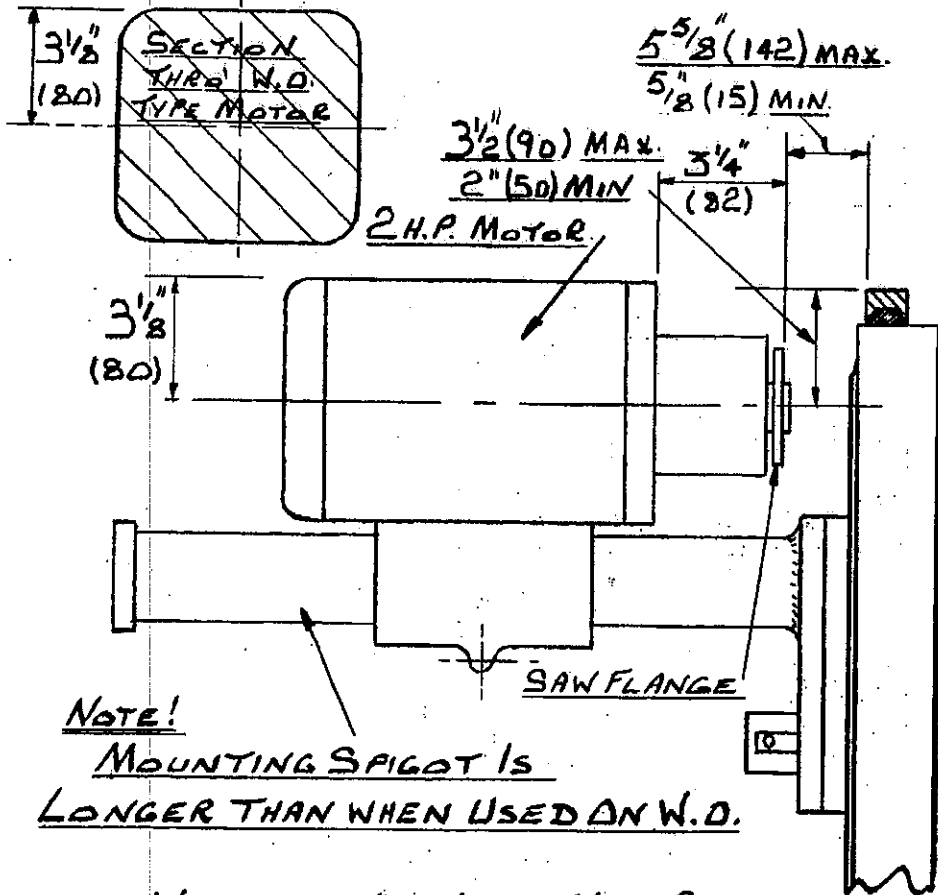
DIMENSIONS ON THIS SHEET ARE FOR 5 H.P. MOTOR.



5 HP MOTOR IN POSITION NO 2 IN VERTICAL BOTTOM POSN.

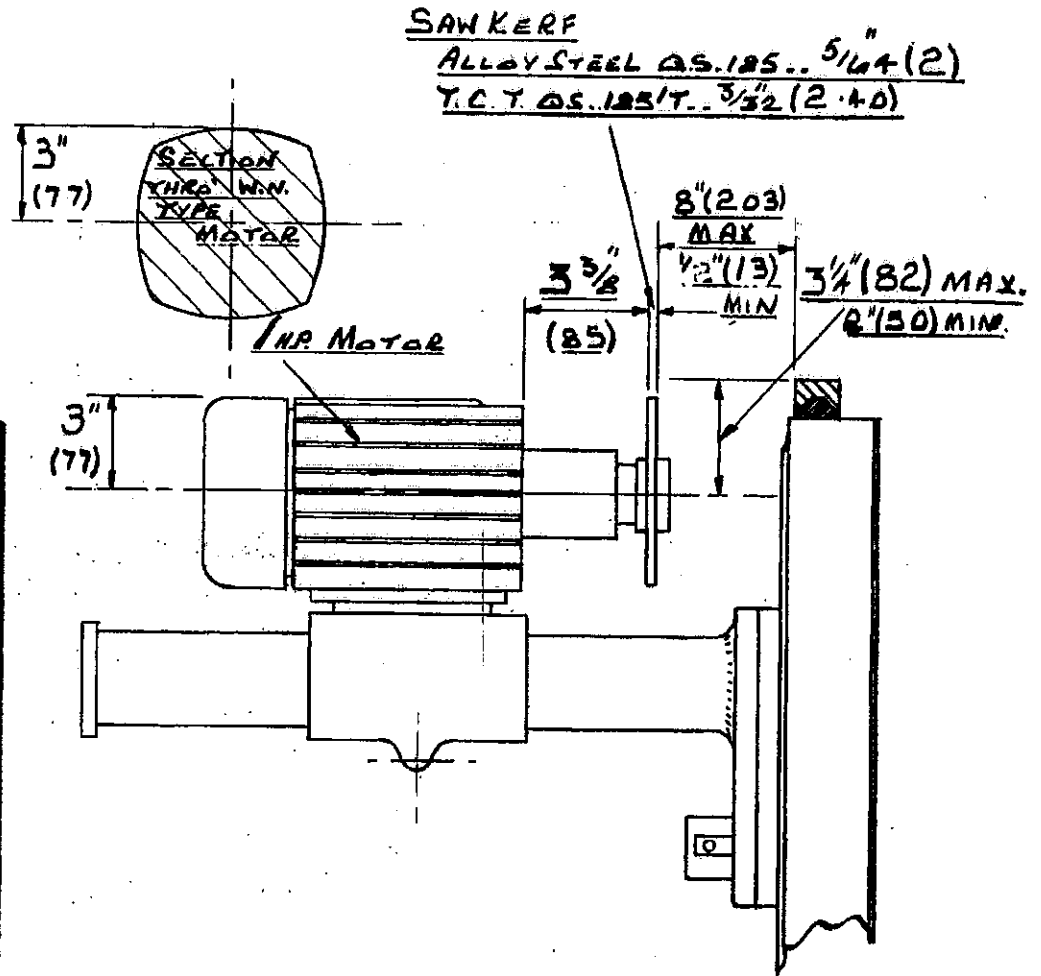


SPIGOT MOUNTED SCORER
SAME DIMENSIONS FOR JUMP & NON JUMP TYPES.



NOTE!
MOUNTING SPIGOT IS
LONGER THAN WHEN USED ON W.D.

W.D. TYPE NON JUMP NON CANT
SCORING SAW ON W.N.

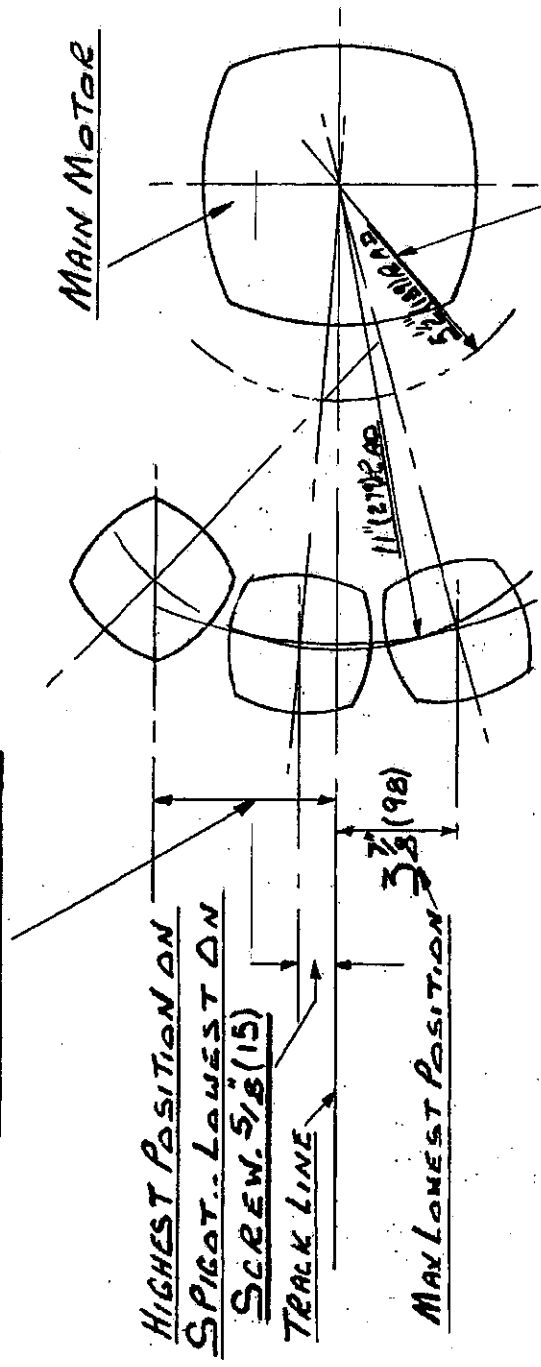


W.N. TYPE SCORER MOTOR ON W.D. TYPE
SCORER MOUNTING

BEAM MOUNTED NON CANT. - NON JUMP SCORING SAWS.

MAX PANEL THICKNESS FOR JUMP SCORING RIGTH THRO' $1\frac{3}{4}$ " (44)

MAX JUMP $2\frac{3}{8}$ " (60)

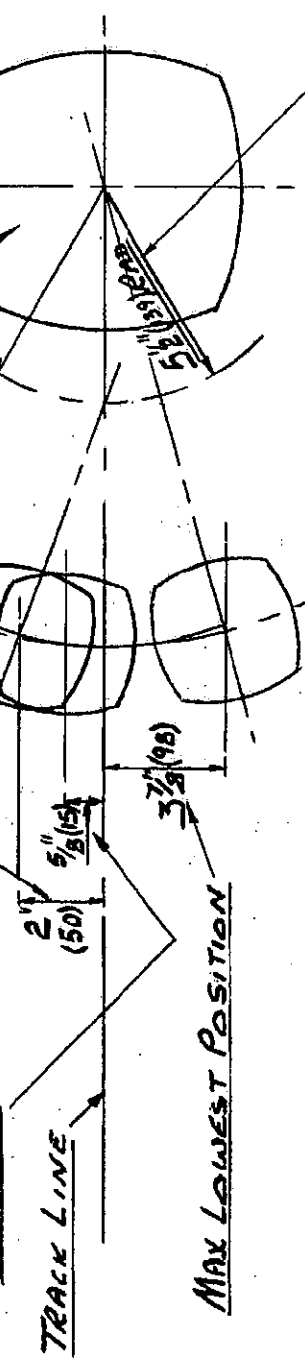


SPIGOT MOUNTED JUMP SCORER

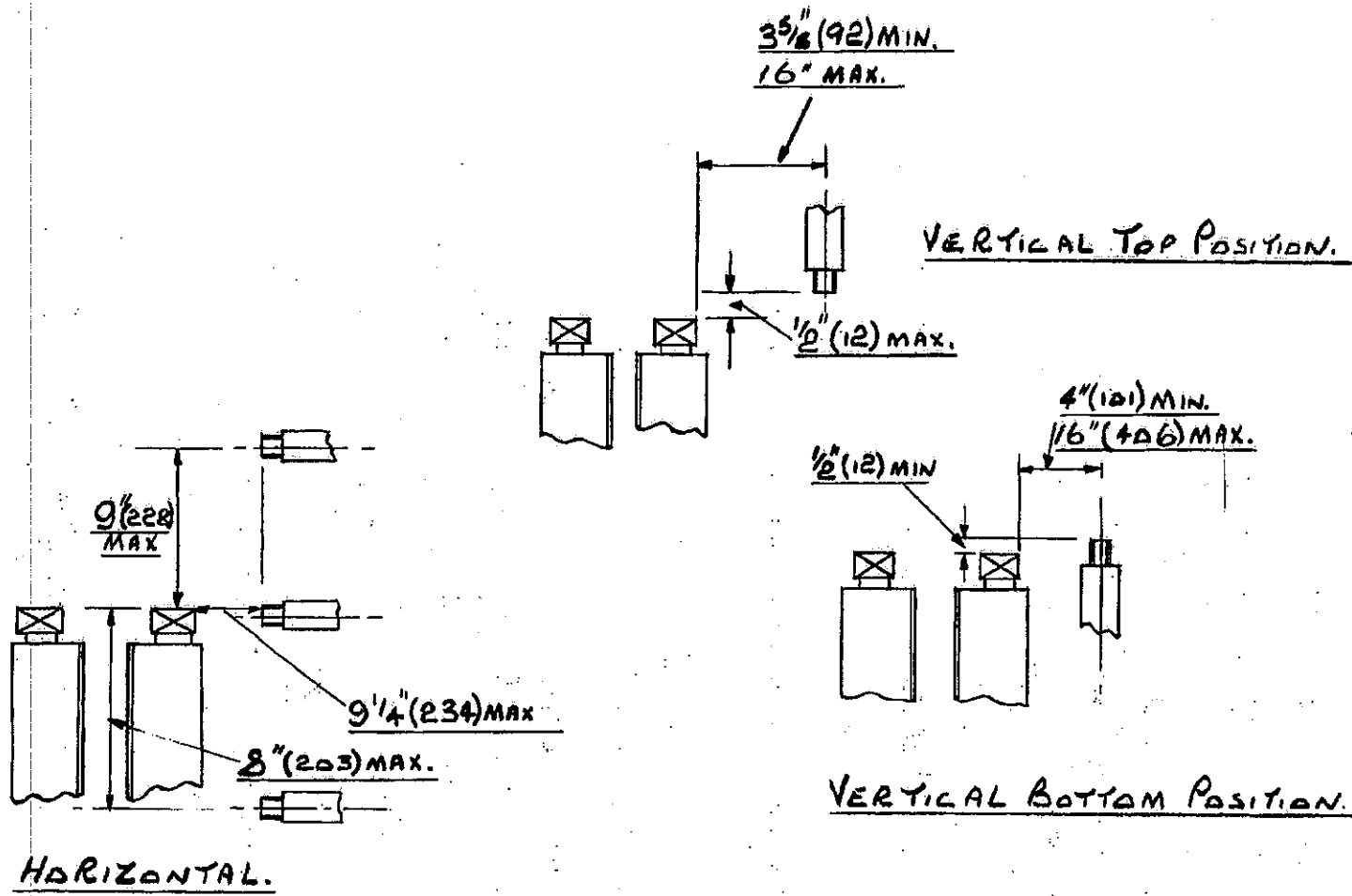
HIGHEST POSITION ON SPIGOT & ADJUSTING SCREW.

HIGHEST POSITION ON

SPIGOT.. LOWEST ON ADJUSTING SCREW



NON JUMP SPIGOT MOUNTED SCORER



HEAD ON AUX. COLUMN - W.N.M'C

DIMENSIONS ON THIS SHEET ARE FOR 5 H.P. MOTOR.

SEE NEXT SHEET

EXTRA LONG PRESSURES
.. ALSO MOVED 2" (50) TOWARDS INFEED END.

5 1/4" (133) 11" CRS (274) 13 1/2" (342) 6" (152) 7 1/2" (190)

FEED. →

6" (152) DIA SCORING SAW

TRACK LEVEL →

OIL BOX & STRETCHER SUPPORT

BEAM STRETCHER

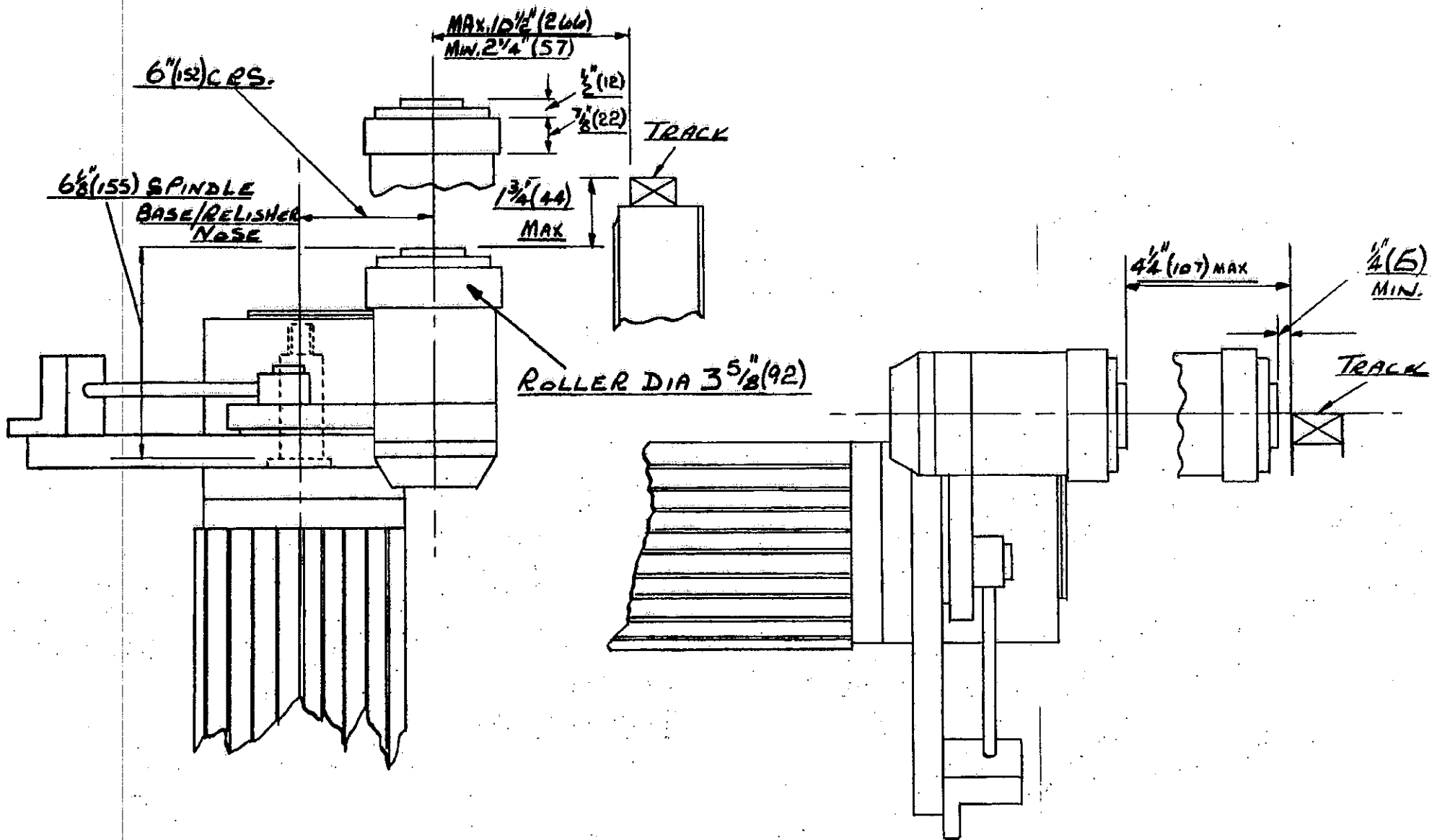
12" (304) DIA. C. OFF SAW OR HOGGING UNIT

MAX. DIA ON THIS HEAD 10" (254)

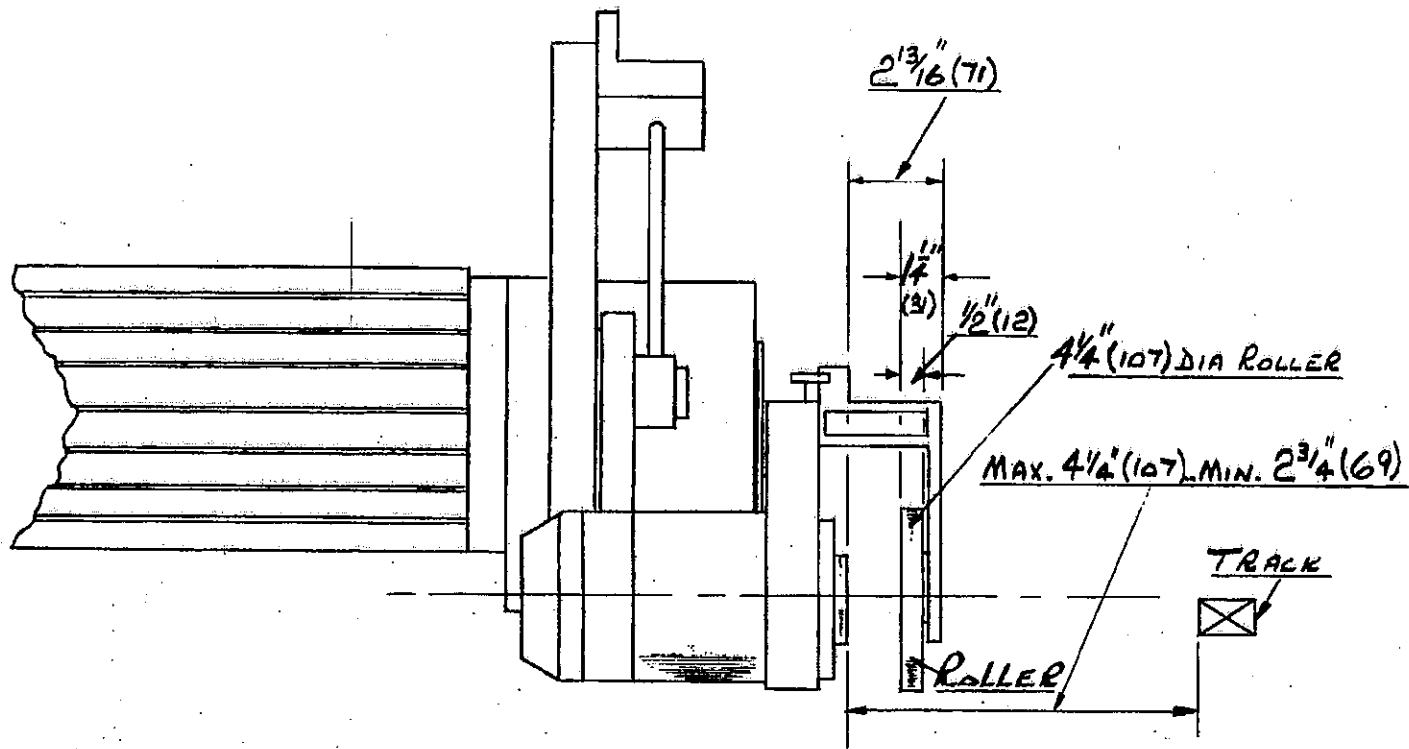
FRONT OF COLUMN

HEAD ON FRONT OF AUX. COLUMN.. WITH SAGOT MOUNTED JUMP SCORER.

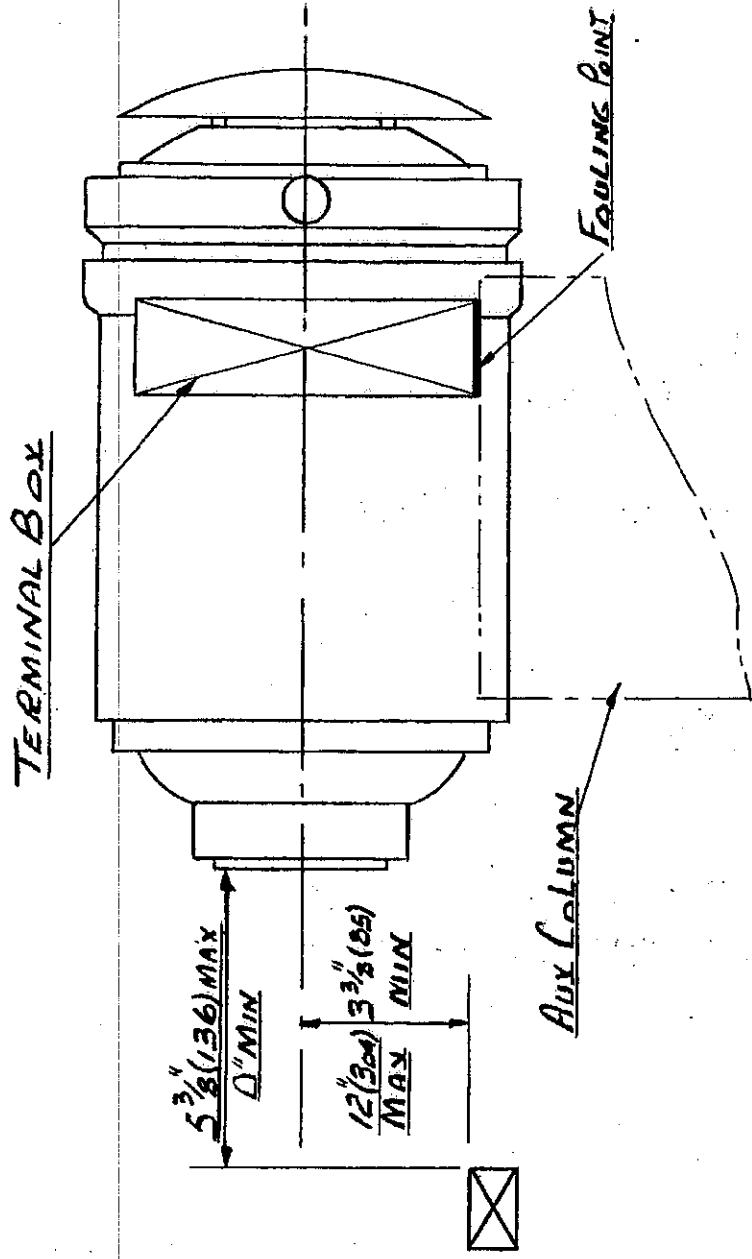
.. SEE PREVIOUS SHEET



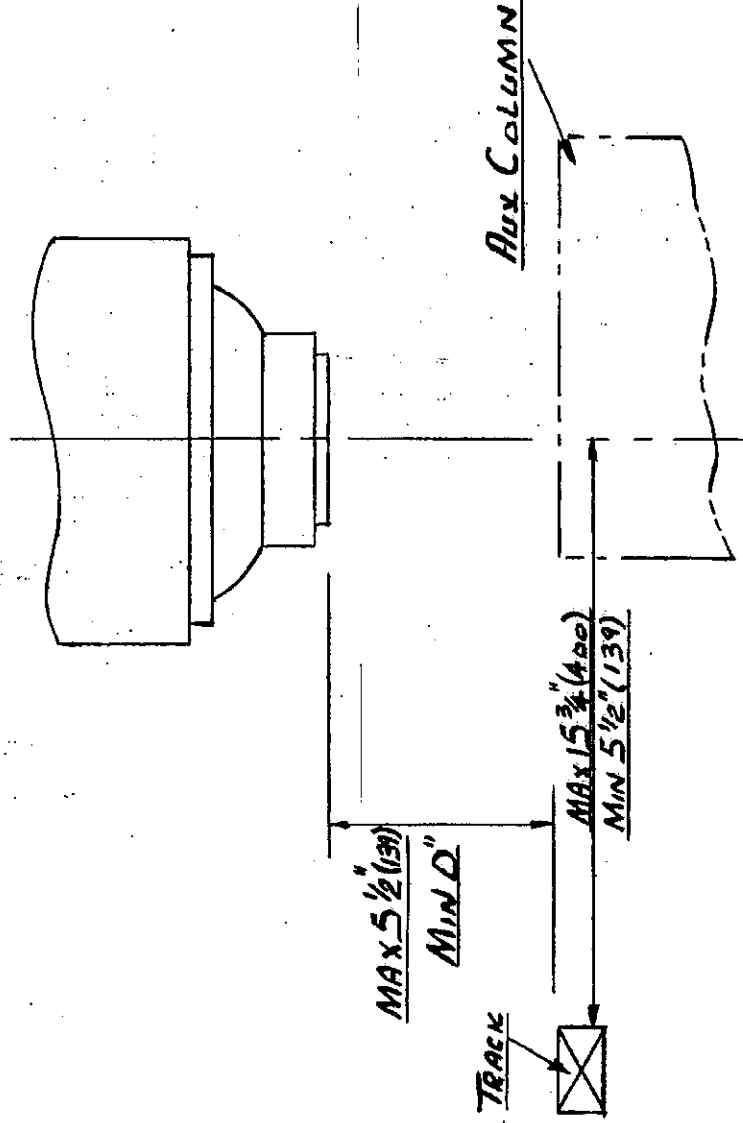
RELISHING HEAD IN BOTTOM POSITION... W.N. & W.N.F... 5 H.P. MOTOR.



RELISHING HEAD IN TOP POSITION
WITH LIP TRIMMING ATTACHMENT.

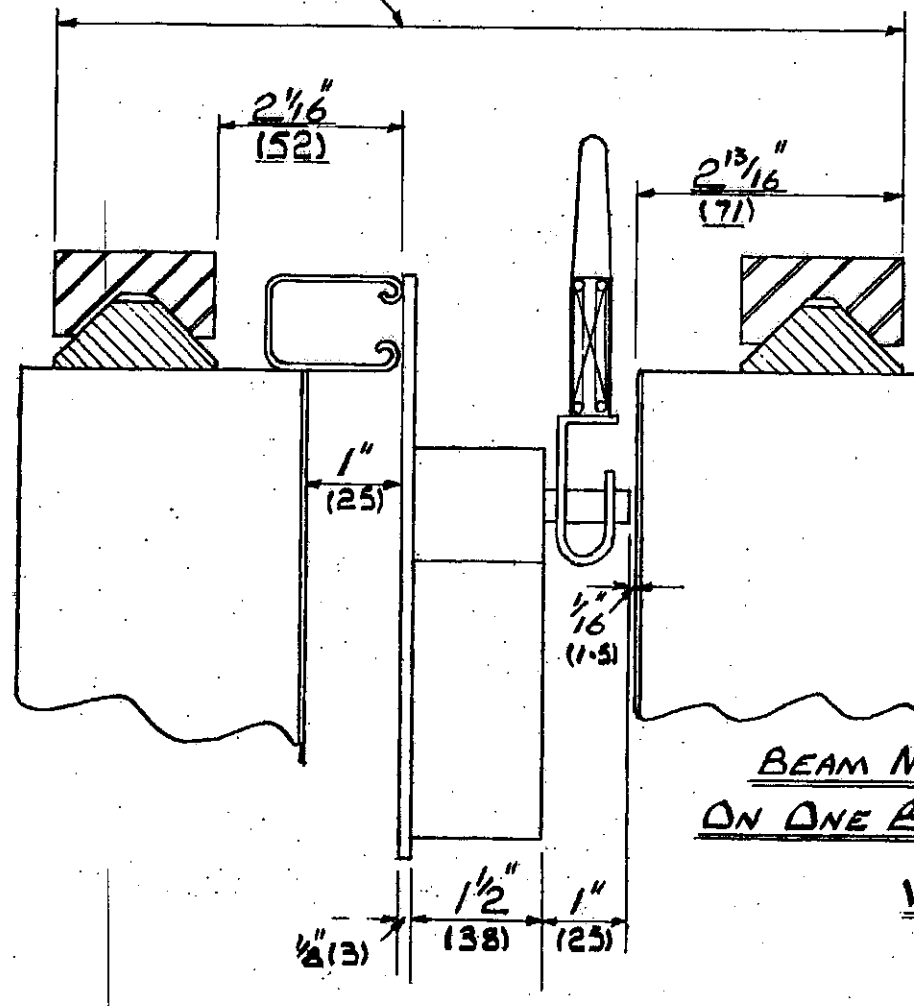


THIS HEAD WILL CANT TO 90°



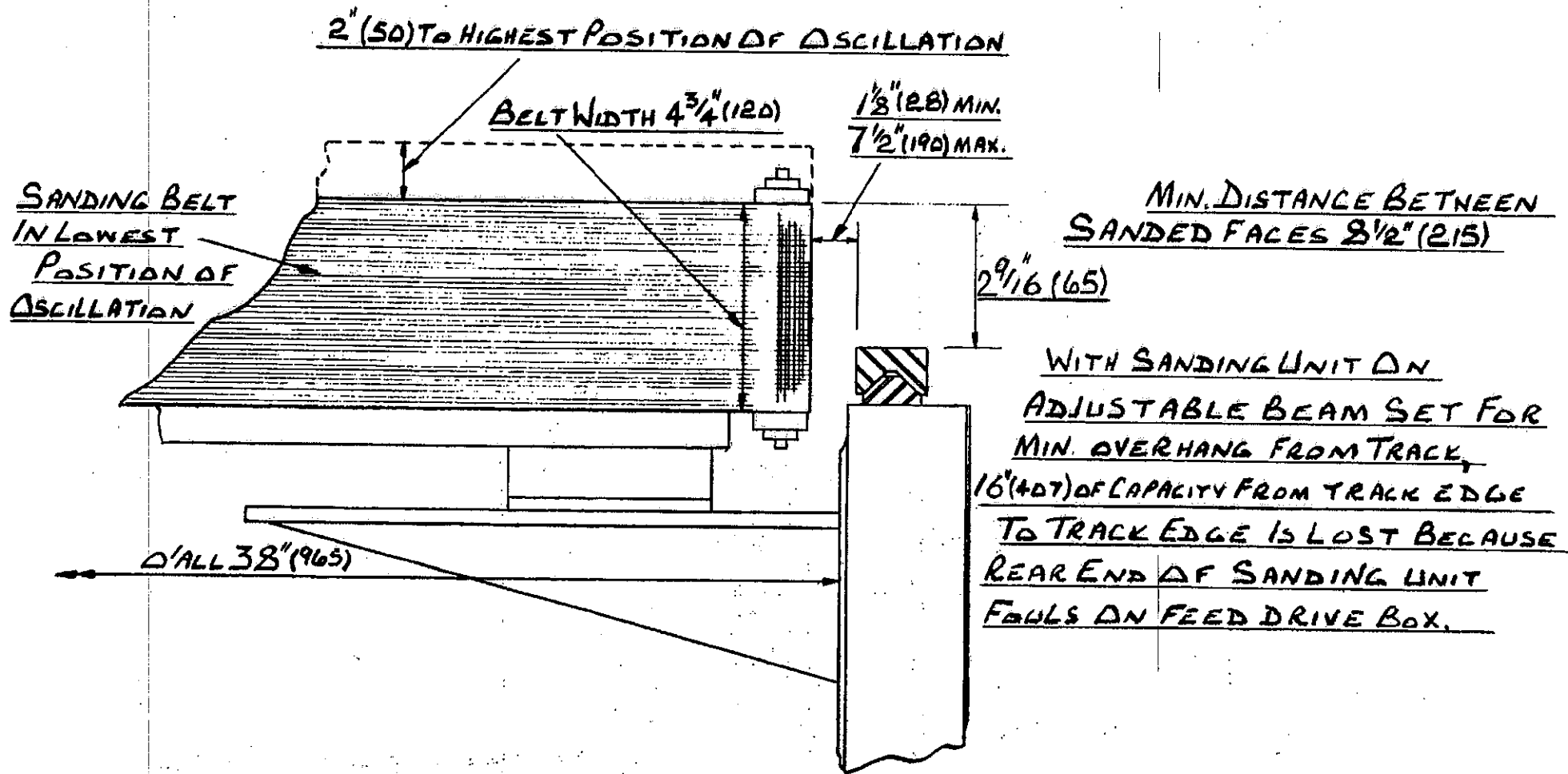
10 H.P. ROUTER HEAD ON FRONT OF COLUMN (TOP POSITION) W.N.F.

WITH SWITCH ON 1 BEAM ONLY THIS DIMENSION IS $9\frac{5}{16}$ " (236) MIN
WITH SWITCHES ON BOTH BEAMS BUT NOT SET IN LINE WITH EACH OTHER... $12\frac{5}{8}$ " (320) MIN.

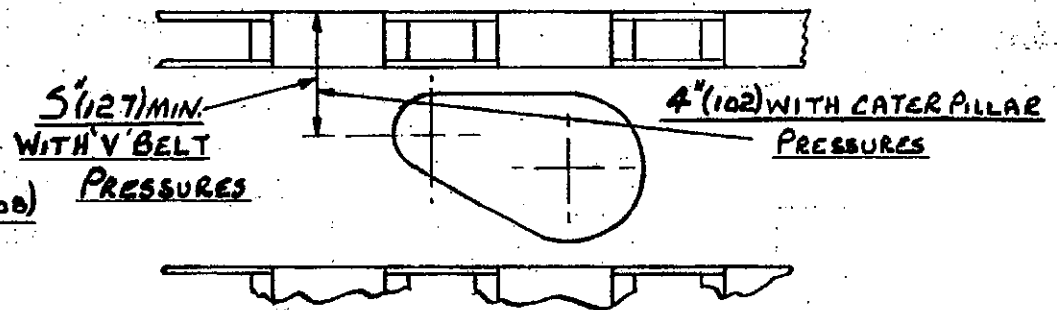
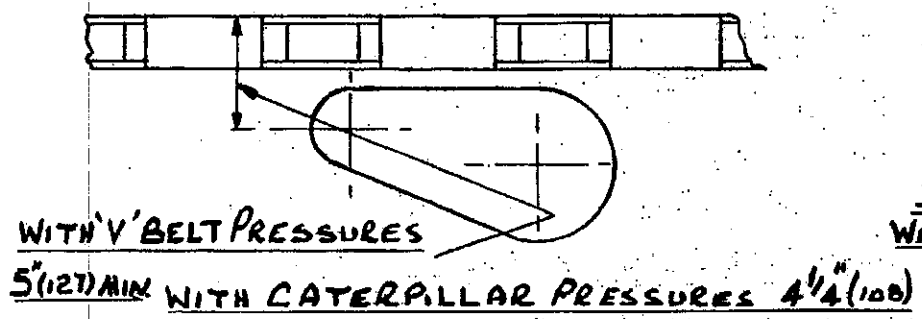
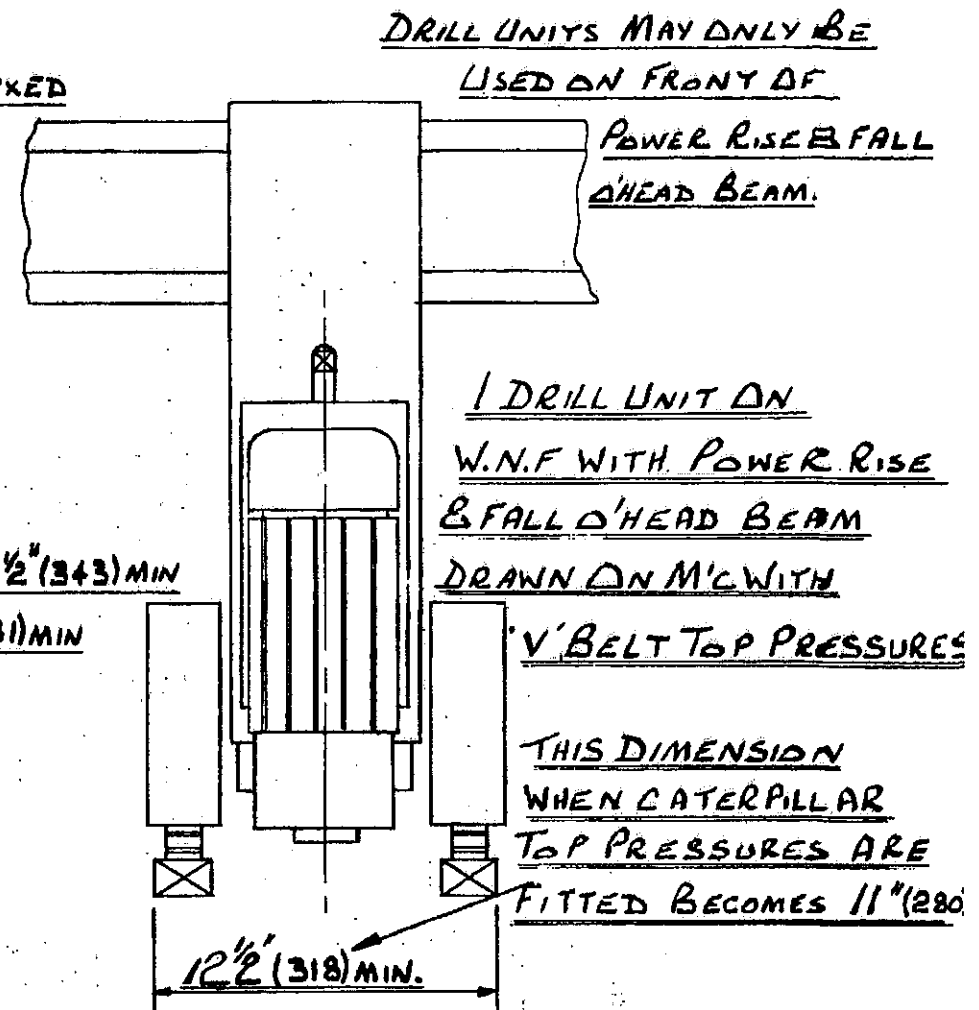
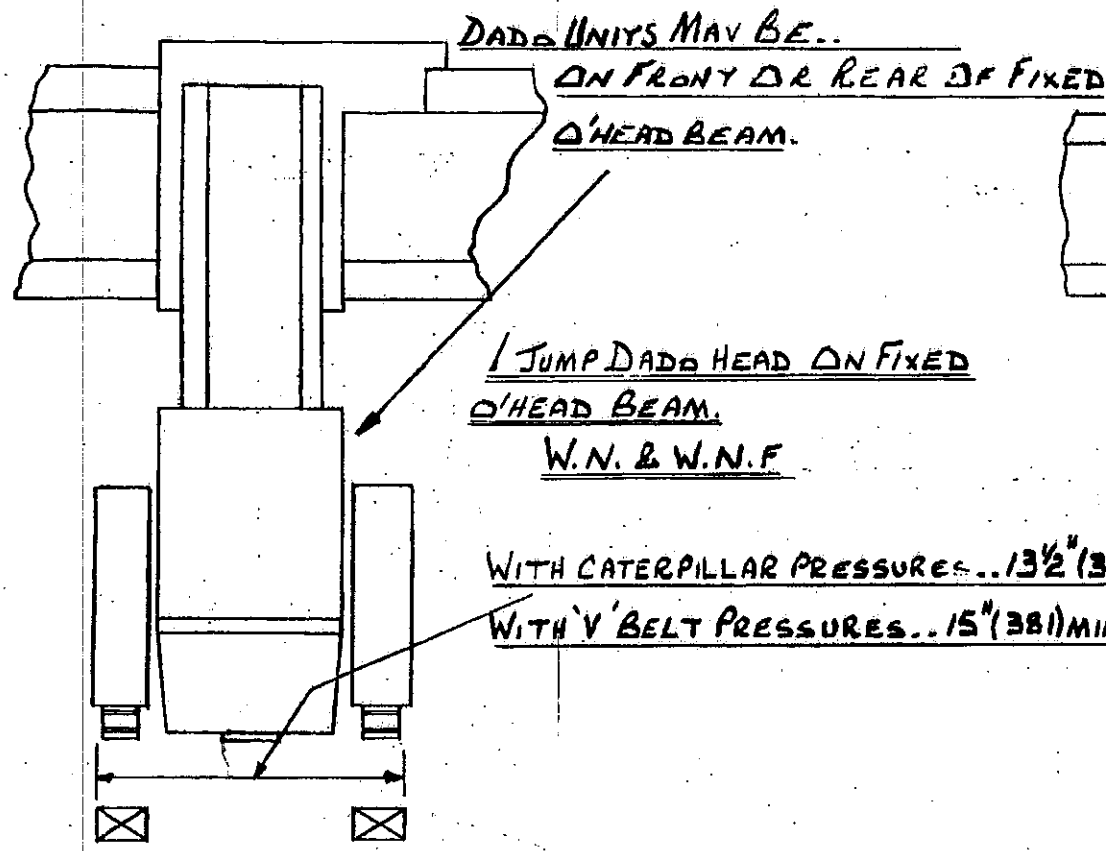


BEAM MOUNTED LIMIT SWITCH
ON ONE BEAM ONLY

W.N. & N.F.



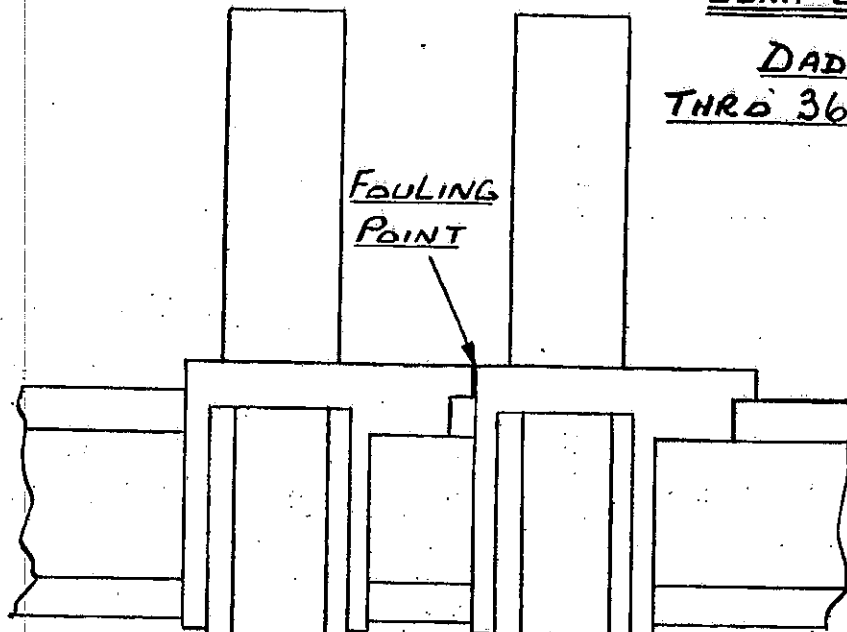
RAIMANN SANDING UNIT ON W.N.



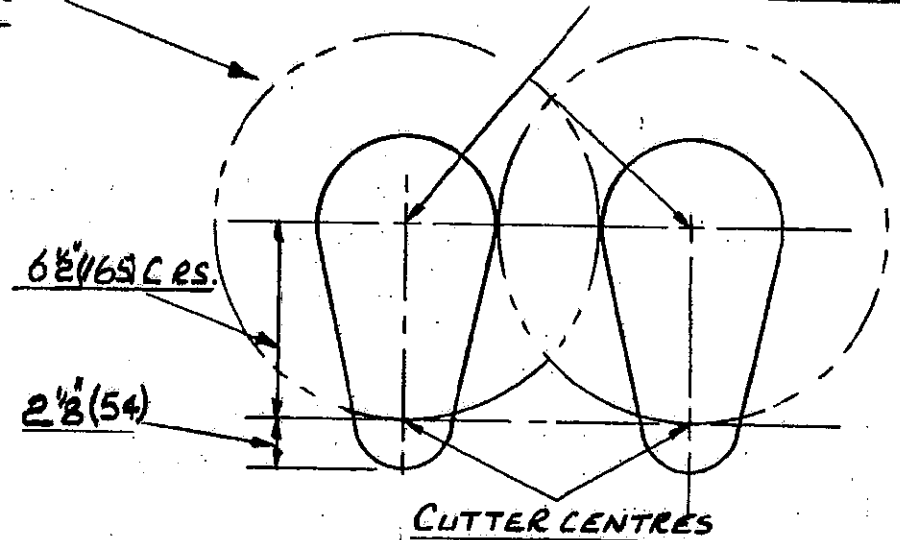
Jump 2 1/2" (63)

DADO UNITS WILL ROTATE
THRU 360°

MAIN MOTOR CENTRES



FOULING
POINT

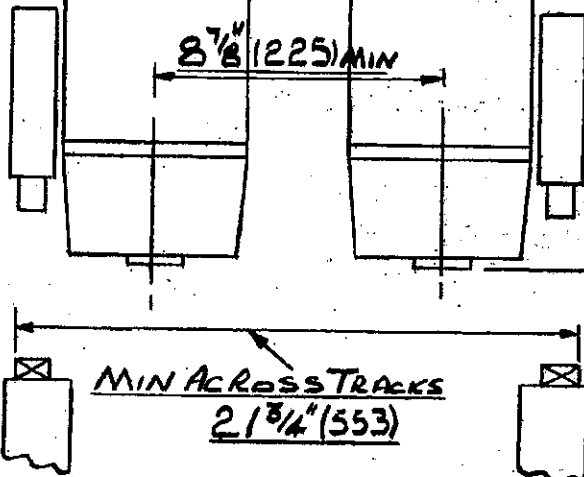


6 1/2" (165) C.R.S.

2 1/8" (54)

CUTTER CENTRES

HEADS SHOWN
IN BOTTOM
POSITION OF
JUMP.

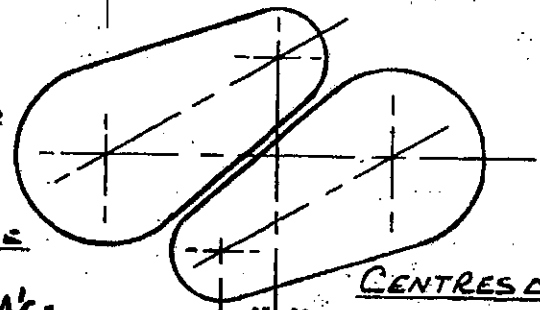


8 7/8" (225) MIN

MIN ACROSS TRACKS
2 1 3/4" (553)

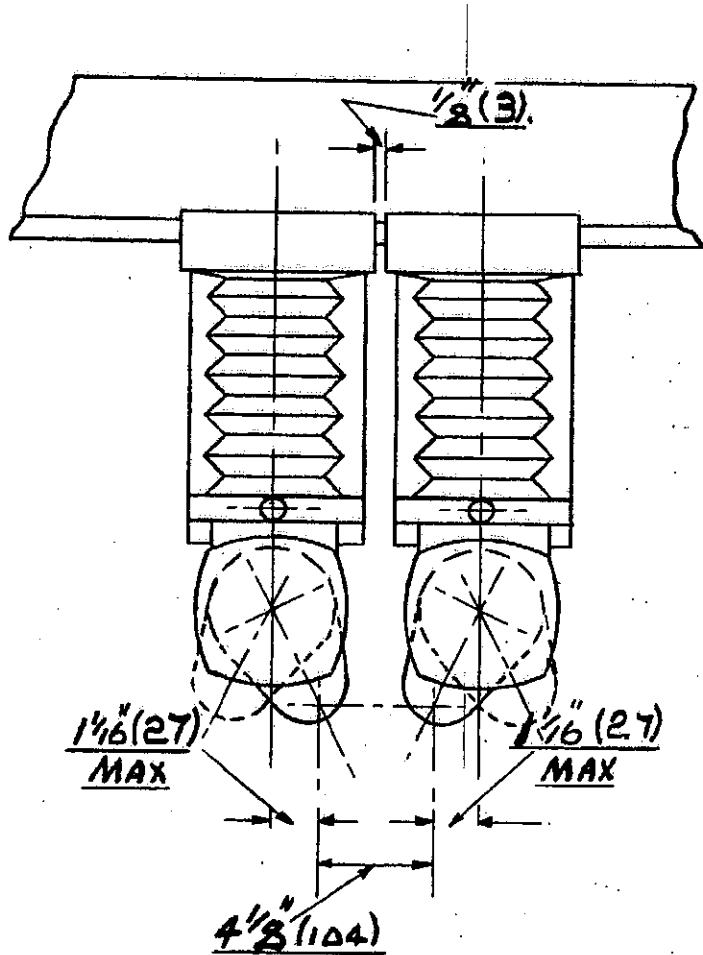
ON MACHINES UP TO
& INCLUDING N° 265 THIS
DIMENSION IS 2" (51.) MIN.
FOR MACHINES 266 & FUTURE
MINIMUM IS 1" (25.5)

MAX ON ALL M.C.S.
1 3/4" (365)



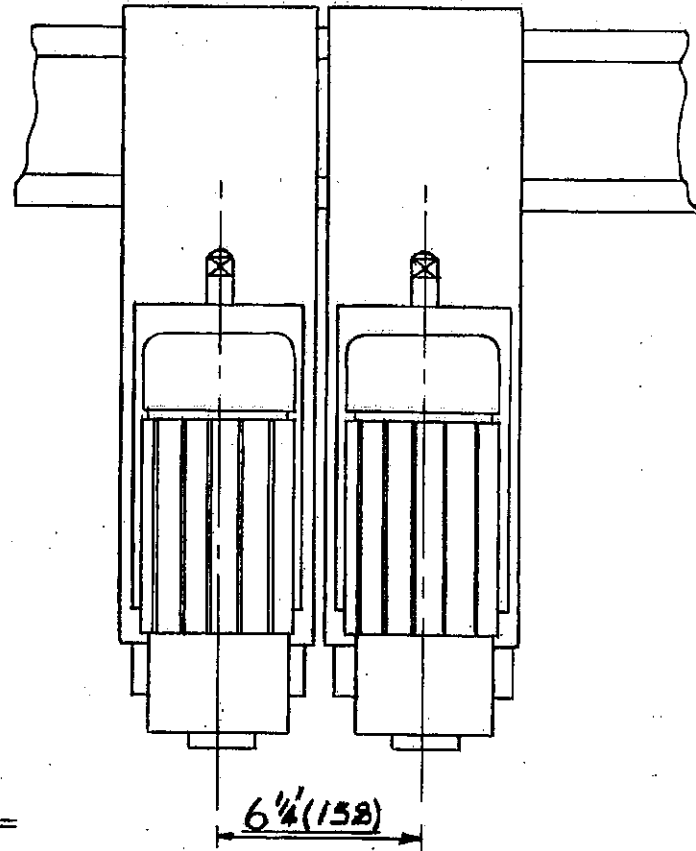
CENTRES OF
HEADS WILL CROSS
1" (25) BY 1" (25)

2 JUMP DADO UNITS ON SAME
SIDE OF FIXED D'HEAD BEAM
W.N. CATERPILLAR TOP PRESSURES

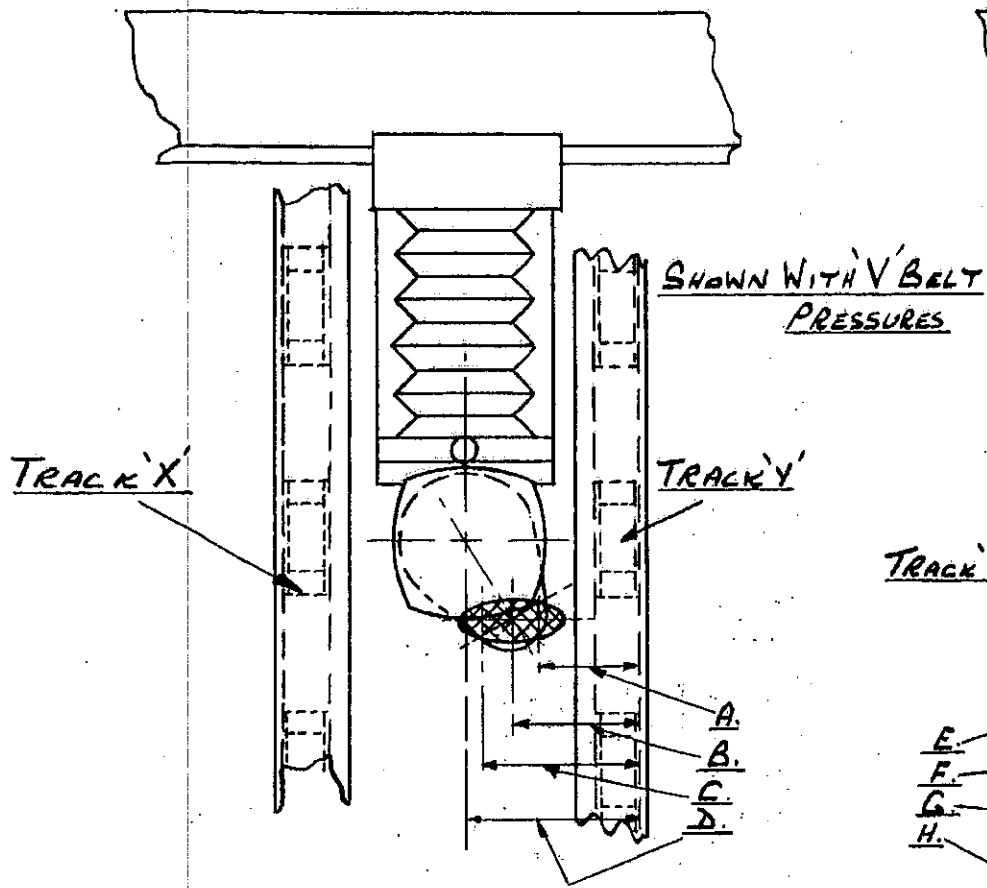


2 DRILL UNITS ON POWER RISE & FALL

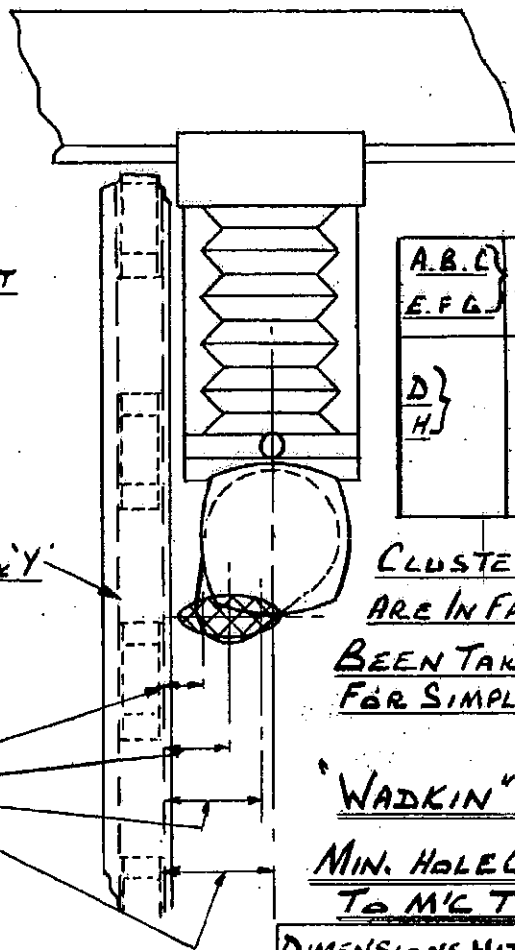
O'HEAD BEAM



MIN BETWEEN MAIN MOTOR CENTRES



DIMENSIONS WITH V BELT PRESSURES --			
A.	3 ³ / ₄ " (95)	E.	7/8" (22)
B.	5" (127)	F.	2 ¹ / ₈ " (54)
C.	6 ¹ / ₄ " (159)	G.	3 ³ / ₈ " (85)
D.	6 ¹ / ₁₆ " (155) <small>NOT TO SCALE</small>	H.	3 ³ / ₁₆ " (81) <small>NOT TO SCALE</small>

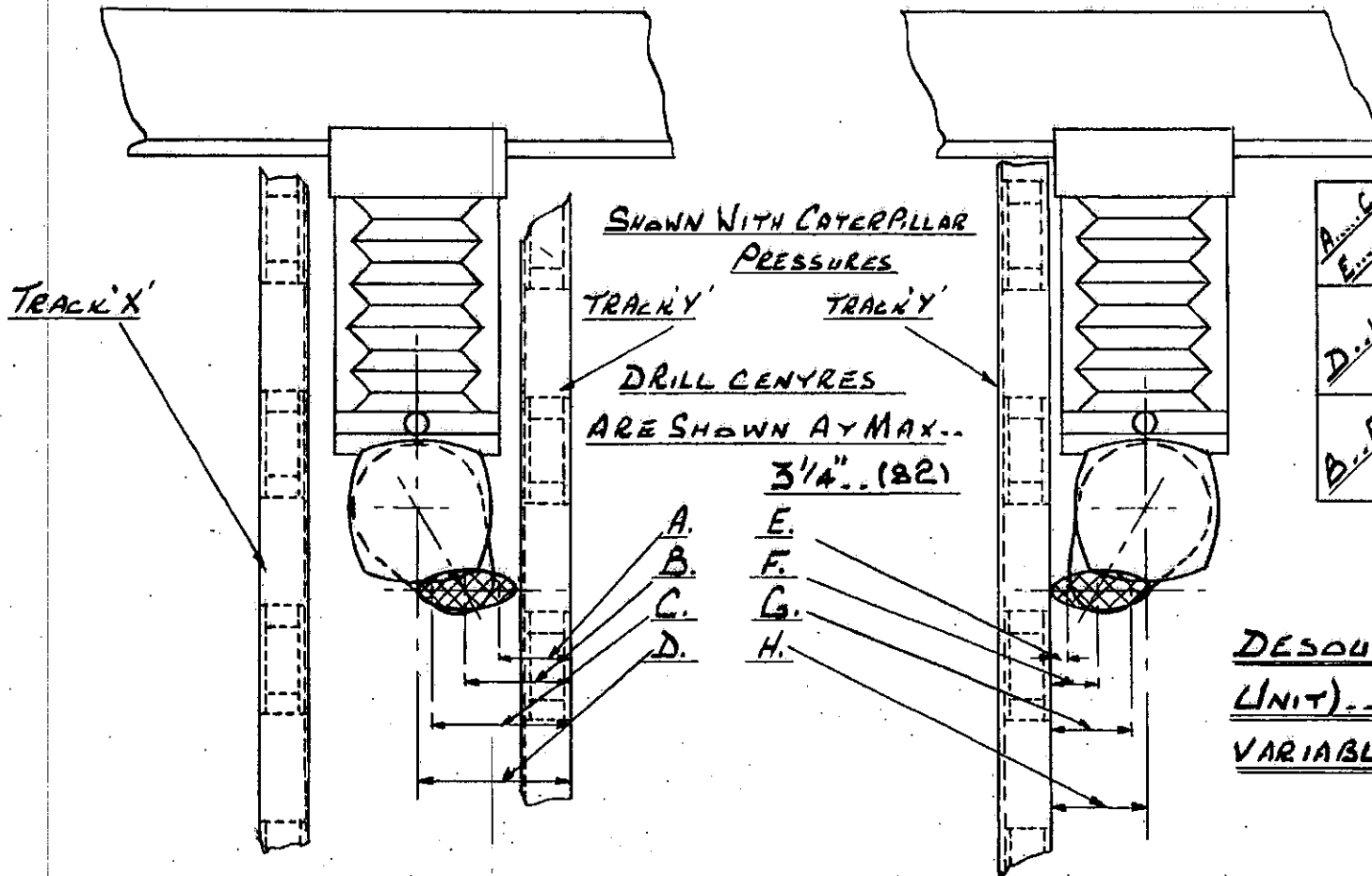


A. B. C.	MIN. DRILL CENTRES / TRACK EDGE
E. F. G.	
D.	MIN. MAIN MOTOR CENTRES.
H.	

CLUSTER DRILL UNIT DRILL CENTRES ARE IN FACT 32 & 64^M BUT HAVE BEEN TAKEN TO BE 1¹/₄" ON THESE CHARTS FOR SIMPLICITY

WADKIN CLUSTER DRILL UNIT
MIN. HOLE CENTRES IN RELATION TO M/C TRACK

DIMENSIONS WITH CATERPILLAR PRESSURES --			
A.	2 ³ / ₄ " (70)	E.	7/8" (22)
B.	4" (102)	F.	2 ¹ / ₈ " (54)
C.	5 ¹ / ₄ " (133)	G.	3 ³ / ₈ " (85)
D.	5 ¹ / ₁₆ " (128) <small>NOT TO SCALE</small>	H.	3 ³ / ₁₆ " (81) <small>NOT TO SCALE</small>

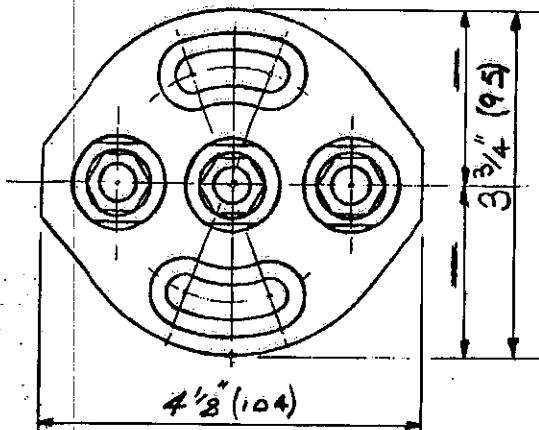


A...G. E...G.	MIN. TRACK EDGE / 1st DRILL CENTRE.. MAX.. TRACK EDGE / DRILL CENTRE.. SET AT MAX.
D..H.	MAIN MOTOR CENTRE TO RELATIVE TRACK EDGE.
B..F.	DESOUTTER UNIT DRIVE SPINDLE / TRACK EDGE

DESOUTTER DRILL (CLUSTER UNIT).. 2 SPINDLE.. CENTRES VARIABLE FROM 3/4" TO 3 1/4" (19-82)

DIMENSIONS WITH V-BELT PRESSURES...			
A.	3 3/4" (95)	E.	7/8" (22)
B.	5 3/8" (136)	F.	2 1/2" (63)
C.	7" (178)	G.	4 1/8" (104)
D.	6 1/16" (165) <small>NOT TO SCALE</small>	H.	3 9/16" (90) <small>NOT TO SCALE</small>

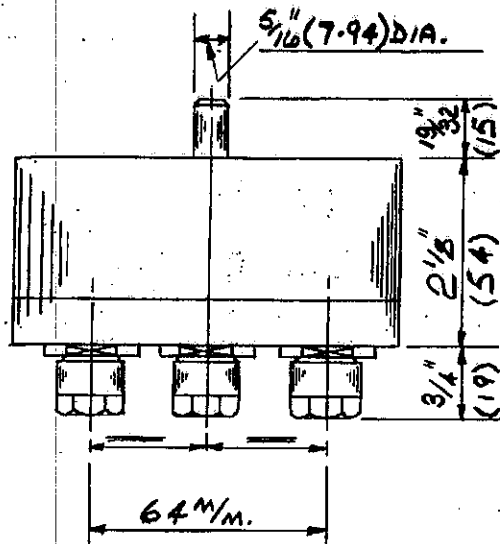
DIMENSIONS WITH CATERPILLAR PRESSURES...			
A.	2 3/4" (69)	E.	7/8" (22)
B.	4 3/8" (111)	F.	2 1/2" (63)
C.	6" (152)	G.	4 1/8" (104)
D.	5 7/16" (139) <small>NOT TO SCALE</small>	H.	3 9/16" (90) <small>NOT TO SCALE</small>



COLLETS.

- 1/8" DIA.. W.N. 2187'1.
- 5/32" DIA.. W.N. 2187'2.
- 3/16" DIA.. W.N. 2187'3.
- 7/32" DIA.. W.N. 2187'4.
- 1/4" DIA.. W.N. 2187'5.

ADAPTER PLATE FOR FITTING
"DESOUTTER" UNIT TO MAIN
DRILL UNIT.. W.N. 2297.



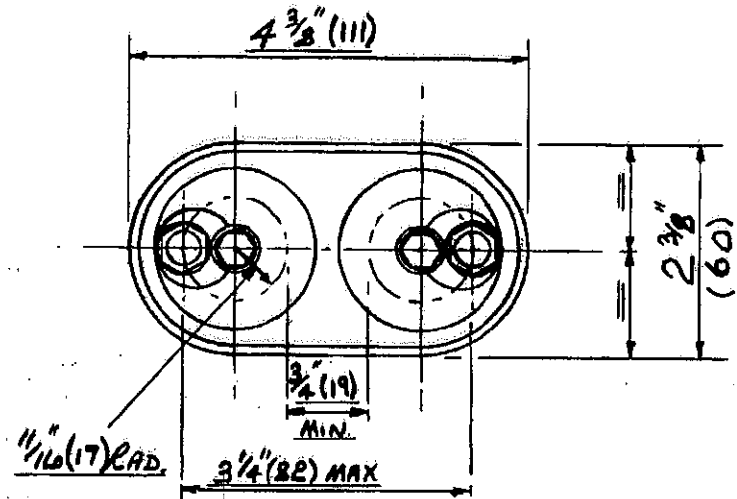
MAX. DIA. OF PARALLEL SHANK
CUTTER.. 1/4" OR 6MM.

METRIC COLLETS CAN BE
SUPPLIED WITH BORE SIZES 1-6MM.

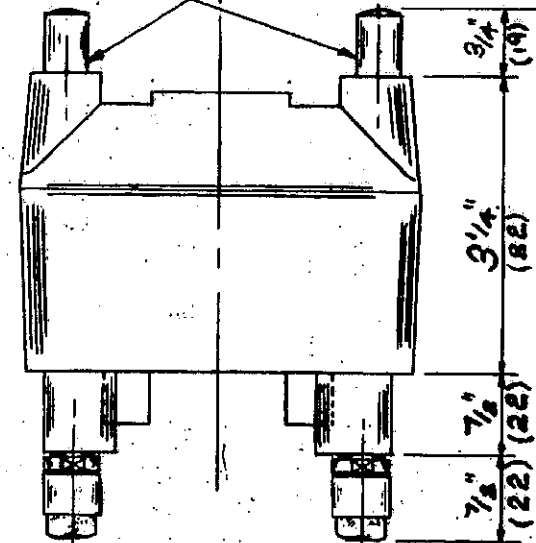
THE "WADKIN" 3 SPINDLE CLUSTER

DRILL UNIT.. DRILL CENTRES ARE FIXED
AT 32 & 64MM..

1/2 FULL SIZE

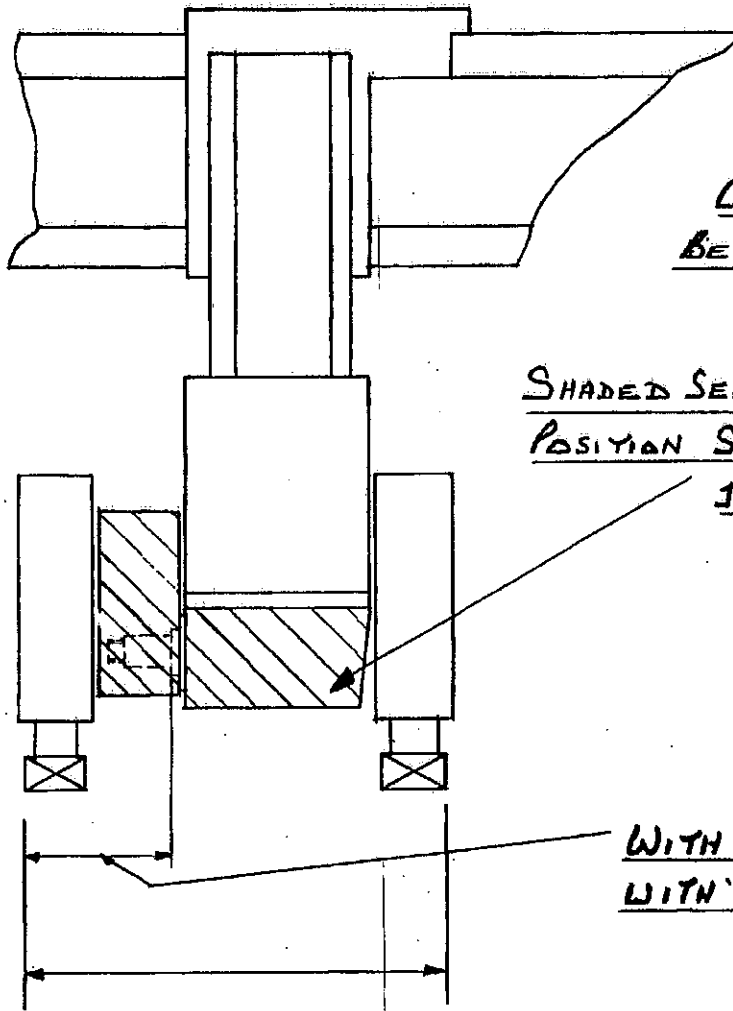


1/2" DIA DOWELS.



THE "DESOUTTER" DRILL UNIT..

2 SPINDLES WITH CENTRES VARIABLE
FROM 3/4" TO 3 1/4" (19-82)



JUMP DADO UNITS MAY BE MOUNTED FRONT OR REAR OF FIXED D'HEAD BEAMS.. BUT MAY ONLY BE FITTED TO FRONT OF POWER RISE & FALL BEAMS.

SHADED SECTION HAS PLUNGER LOCATION AT 180° TO THE POSITION SHOWN..

JUMP DADO HEADS CAN THEREFORE BE USED EITHER HAND WHEN FITTED WITH 90° DRIVE.

WITH C'PILLAR PRESSURES.. 5 1/2" (140) MIN WITH 'V' BELT PRESSURES.. 6 1/4" (159)

DIMENSION A/C TRACKS WITH 'V' BELT TOP PRESSURES... 16 3/8" (416)

DIMENSION A/C TRACKS WITH CATERPILLAR TOP PRESSURES... 14 1/2" (368)

JUMP DADO UNIT WITH 90° DRIVE

CONVERSION CHART

Inches to millimetres

	0	1	2	3	4	5	6	7	8	9	10	11	12	13	14	15
0	0.00	25.40	50.80	76.20	101.60	127.00	152.40	177.80	203.20	228.60	254.00	279.40	304.80	330.20	355.60	381.00
1/8"	0.125	31.75	53.50	75.25	97.00	118.75	140.50	162.25	184.00	205.75	227.50	249.25	271.00	292.75	314.50	336.25
1/4"	0.25	63.50	85.25	107.00	128.75	150.50	172.25	194.00	215.75	237.50	259.25	281.00	302.75	324.50	346.25	368.00
3/8"	0.375	95.25	117.00	138.75	160.50	182.25	204.00	225.75	247.50	269.25	291.00	312.75	334.50	356.25	378.00	399.75
1/2"	0.50	127.00	148.75	170.50	192.25	214.00	235.75	257.50	279.25	301.00	322.75	344.50	366.25	388.00	409.75	431.50
5/8"	0.625	158.75	180.50	202.25	224.00	245.75	267.50	289.25	311.00	332.75	354.50	376.25	398.00	419.75	441.50	463.25
3/4"	0.75	190.50	212.25	234.00	255.75	277.50	299.25	321.00	342.75	364.50	386.25	408.00	429.75	451.50	473.25	495.00
7/8"	0.875	222.25	244.00	265.75	287.50	309.25	331.00	352.75	374.50	396.25	418.00	439.75	461.50	483.25	505.00	526.75
1"	1.00	254.00	275.75	297.50	319.25	341.00	362.75	384.50	406.25	428.00	449.75	471.50	493.25	515.00	536.75	558.50
1 1/8"	1.125	285.75	307.50	329.25	351.00	372.75	394.50	416.25	438.00	459.75	481.50	503.25	525.00	546.75	568.50	590.25
1 1/4"	1.25	317.50	339.25	361.00	382.75	404.50	426.25	448.00	469.75	491.50	513.25	535.00	556.75	578.50	600.25	622.00
1 3/8"	1.375	349.25	371.00	392.75	414.50	436.25	458.00	479.75	501.50	523.25	545.00	566.75	588.50	610.25	632.00	653.75
1 1/2"	1.50	381.00	402.75	424.50	446.25	468.00	489.75	511.50	533.25	555.00	576.75	598.50	620.25	642.00	663.75	685.50
1 5/8"	1.625	412.75	434.50	456.25	478.00	499.75	521.50	543.25	565.00	586.75	608.50	630.25	652.00	673.75	695.50	717.25
1 3/4"	1.75	444.50	466.25	488.00	509.75	531.50	553.25	575.00	596.75	618.50	640.25	662.00	683.75	705.50	727.25	749.00
1 7/8"	1.875	476.25	498.00	519.75	541.50	563.25	585.00	606.75	628.50	650.25	672.00	693.75	715.50	737.25	759.00	780.75
2"	2.00	508.00	529.75	551.50	573.25	595.00	616.75	638.50	660.25	682.00	703.75	725.50	747.25	769.00	790.75	812.50
2 1/8"	2.125	539.75	561.50	583.25	605.00	626.75	648.50	670.25	692.00	713.75	735.50	757.25	779.00	800.75	822.50	844.25
2 1/4"	2.25	571.50	593.25	615.00	636.75	658.50	680.25	702.00	723.75	745.50	767.25	789.00	810.75	832.50	854.25	876.00
2 3/8"	2.375	603.25	625.00	646.75	668.50	690.25	712.00	733.75	755.50	777.25	799.00	820.75	842.50	864.25	886.00	907.75
2 1/2"	2.50	635.00	656.75	678.50	700.25	722.00	743.75	765.50	787.25	809.00	830.75	852.50	874.25	896.00	917.75	939.50
2 5/8"	2.625	666.75	688.50	710.25	732.00	753.75	775.50	797.25	819.00	840.75	862.50	884.25	906.00	927.75	949.50	971.25
2 3/4"	2.75	698.50	720.25	742.00	763.75	785.50	807.25	829.00	850.75	872.50	894.25	916.00	937.75	959.50	981.25	1003.00
2 7/8"	2.875	730.25	752.00	773.75	795.50	817.25	839.00	860.75	882.50	904.25	926.00	947.75	969.50	991.25	1013.00	1034.75
3"	3.00	762.00	783.75	805.50	827.25	849.00	870.75	892.50	914.25	936.00	957.75	979.50	1001.25	1023.00	1044.75	1066.50
3 1/8"	3.125	793.75	815.50	837.25	859.00	880.75	902.50	924.25	946.00	967.75	989.50	1011.25	1033.00	1054.75	1076.50	1098.25
3 1/4"	3.25	825.50	847.25	869.00	890.75	912.50	934.25	956.00	977.75	999.50	1021.25	1043.00	1064.75	1086.50	1108.25	1130.00
3 3/8"	3.375	857.25	879.00	900.75	922.50	944.25	966.00	987.75	1009.50	1031.25	1053.00	1074.75	1096.50	1118.25	1140.00	1161.75
3 1/2"	3.50	889.00	910.75	932.50	954.25	976.00	997.75	1019.50	1041.25	1063.00	1084.75	1106.50	1128.25	1150.00	1171.75	1193.50
3 5/8"	3.625	920.75	942.50	964.25	986.00	1007.75	1029.50	1051.25	1073.00	1094.75	1116.50	1138.25	1160.00	1181.75	1203.50	1225.25
3 3/4"	3.75	952.50	974.25	996.00	1017.75	1039.50	1061.25	1083.00	1104.75	1126.50	1148.25	1170.00	1191.75	1213.50	1235.25	1257.00
3 7/8"	3.875	984.25	1006.00	1027.75	1049.50	1071.25	1093.00	1114.75	1136.50	1158.25	1180.00	1201.75	1223.50	1245.25	1267.00	1288.75
4"	4.00	1016.00	1037.75	1059.50	1081.25	1103.00	1124.75	1146.50	1168.25	1190.00	1211.75	1233.50	1255.25	1277.00	1298.75	1320.50
4 1/8"	4.125	1047.75	1069.50	1091.25	1113.00	1134.75	1156.50	1178.25	1200.00	1221.75	1243.50	1265.25	1287.00	1308.75	1330.50	1352.25
4 1/4"	4.25	1079.50	1101.25	1123.00	1144.75	1166.50	1188.25	1210.00	1231.75	1253.50	1275.25	1297.00	1318.75	1340.50	1362.25	1384.00
4 3/8"	4.375	1111.25	1133.00	1154.75	1176.50	1198.25	1220.00	1241.75	1263.50	1285.25	1307.00	1328.75	1350.50	1372.25	1394.00	1415.75
4 1/2"	4.50	1143.00	1164.75	1186.50	1208.25	1230.00	1251.75	1273.50	1295.25	1317.00	1338.75	1360.50	1382.25	1404.00	1425.75	1447.50
4 5/8"	4.625	1174.75	1196.50	1218.25	1240.00	1261.75	1283.50	1305.25	1327.00	1348.75	1370.50	1392.25	1414.00	1435.75	1457.50	1479.25
4 3/4"	4.75	1206.50	1228.25	1250.00	1271.75	1293.50	1315.25	1337.00	1358.75	1380.50	1402.25	1424.00	1445.75	1467.50	1489.25	1511.00
4 7/8"	4.875	1238.25	1260.00	1281.75	1303.50	1325.25	1347.00	1368.75	1390.50	1412.25	1434.00	1455.75	1477.50	1499.25	1521.00	1542.75
5"	5.00	1270.00	1291.75	1313.50	1335.25	1357.00	1378.75	1400.50	1422.25	1444.00	1465.75	1487.50	1509.25	1531.00	1552.75	1574.50
5 1/8"	5.125	1301.75	1323.50	1345.25	1367.00	1388.75	1410.50	1432.25	1454.00	1475.75	1497.50	1519.25	1541.00	1562.75	1584.50	1606.25
5 1/4"	5.25	1333.50	1355.25	1377.00	1398.75	1420.50	1442.25	1464.00	1485.75	1507.50	1529.25	1551.00	1572.75	1594.50	1616.25	1638.00
5 3/8"	5.375	1365.25	1387.00	1408.75	1430.50	1452.25	1474.00	1495.75	1517.50	1539.25	1561.00	1582.75	1604.50	1626.25	1648.00	1669.75
5 1/2"	5.50	1397.00	1418.75	1440.50	1462.25	1484.00	1505.75	1527.50	1549.25	1571.00	1592.75	1614.50	1636.25	1658.00	1679.75	1701.50
5 5/8"	5.625	1428.75	1450.50	1472.25	1494.00	1515.75	1537.50	1559.25	1581.00	1602.75	1624.50	1646.25	1668.00	1689.75	1711.50	1733.25
5 3/4"	5.75	1460.50	1482.25	1504.00	1525.75	1547.50	1569.25	1591.00	1612.75	1634.50	1656.25	1678.00	1699.75	1721.50	1743.25	1765.00
5 7/8"	5.875	1492.25	1514.00	1535.75	1557.50	1579.25	1601.00	1622.75	1644.50	1666.25	1688.00	1709.75	1731.50	1753.25	1775.00	1796.75
6"	6.00	1524.00	1545.75	1567.50	1589.25	1611.00	1632.75	1654.50	1676.25	1698.00	1719.75	1741.50	1763.25	1785.00	1806.75	1828.50
6 1/8"	6.125	1555.75	1577.50	1599.25	1621.00	1642.75	1664.50	1686.25	1708.00	1729.75	1751.50	1773.25	1795.00	1816.75	1838.50	1860.25
6 1/4"	6.25	1587.50	1609.25	1631.00	1652.75	1674.50	1696.25	1718.00	1739.75	1761.50	1783.25	1805.00	1826.75	1848.50	1870.25	1892.00
6 3/8"	6.375	1619.25	1641.00	1662.75	1684.50	1706.25	1728.00	1749.75	1771.50	1793.25	1815.00	1836.75	1858.50	1880.25	1902.00	1923.75
6 1/2"	6.50	1651.00	1672.75	1694.50	1716.25	1738.00	1759.75	1781.50	1803.25	1825.00	1846.75	1868.50	1890.25	1912.00	1933.75	1955.50
6 5/8"	6.625	1682.75	1704.50	1726.25	1748.00	1769.75	1791.50	1813.25	1835.00	1856.75	1878.50	1900.25	1922.00	1943.75	1965.50	1987.25
6 3/4"	6.75	1714.50	1736.25	1758.00	1779.75	1801.50	1823.25	1845.00	1866.75	1888.50	1910.25	1932.00	1953.75	1975.50	1997.25	2019.00
6 7/8"	6.875	1746.25	1768.00	1789.75	1811.50	1833.25	1855.00	1876.75	1898.50	1920.25	1942.00	1963.75	1985.50	2007.25	2029.00	2050.75
7"	7.00	1778.00	1800.75	1822.50	1844.25	1866.00	1887.75	1909.50	1931.25	1953.00	1974.75	1996.50	2018.25	2040.00	2061.75	2083.50
7 1/8"	7.125	1809.75	1831.50	1853.25	1875.00	1896.75	1918.50	1940.25	1962.00	1983.75	2005.50	2027.25	2049.00	2070.75	2092.50	2114.25
7 1/4"	7.25	1841.50	1863.25	1885.00	1906.75	1928.50	1950.25	1972.00	1993.75	2015.50	2037.25	2059.00	2080.75	2102.50	2124.25	2146.00
7 3/8"	7.375	1873.25	1895.00	1916.75	1938.50	1960.25	1982.00	2003.75	2025.50	2047.25	2069.00	2090.75	2112.50	2134.25	2156.00	2177.75
7 1/2"	7.50	1905.00	1926.75	1948.50	1970.25	1992.00	2013.75	2035.50	2057.25	2079.00	2100.75	2122.50	2144.25	2166.00	2187.75	2209.50
7 5/8"	7.625	1936.75	1958.50	1980.25	2002.00	2023.75	2045.50	2067.25	20							