

Over  
**25**  
Years

**Reinbold**  
Entsorgungstechnik



**„BEAR“ FORCE AND RELIABILITY**

**SINGLE SHAFT SHREDDER**

**AZR 50 PRIMUS**



## AZR 50 Primus material shredder

The AZR 50 Primus series is the starter model of the single-shaft material shredders with drawer feed. Nearly all types of material can be processed economically with the slow-running rotors.

The AZR 50 PRIMUS is the perfect machine for smaller firms. Qualified for the crushing of wood waste and matured timber in a joinery, for example.



The highly efficient scissors cut of the concave ground circular cutting heads enable a very high work rate with very little effort. The knife holders are welded on the rotor and the round knives can be turned up to 8 times with just a few adjustments before having to be exchanged completely.



Belt drive – spur gear reduction

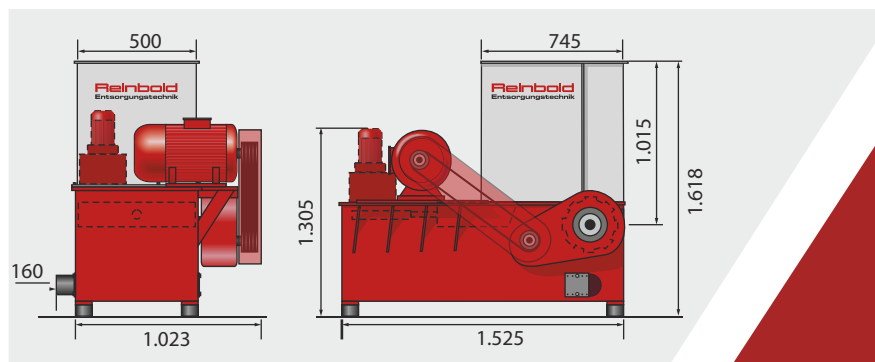


The screen perforation determines the size of the shreds



Hydraulic unit and hydraulic cylinder for the drawer. Hydraulic feed for a constant flow of material to the rotor and for continuous shedding.

Type	AZR 50 Primus	
Feed opening	(mm)	500 x 745
Hopper Volume	(m <sup>3</sup> )	0.5
Throughput		according to material and screen
Rotor-Ø	(mm)	180
Rotor Speed	(UpM)	100
Power	(kW)	11
Knives	(Pcs.)	28 (with 30 mm Ø)
Screen Perforation	(mm)	10-30
Suction port-Ø	(mm)	160
Air speed	(m/sec)	28
Weight	(approx. kg)	800



### Reinbold Entsorgungstechnik GmbH

Robert-Mayer-Strasse 5  
74360 Ilsfeld (Germany)

Phone: +49 (0) 7062 / 97885-0

Fax: +49 (0) 7062 / 97885-50

[info@reinbold.de](mailto:info@reinbold.de)

[www.reinbold.de](http://www.reinbold.de)

Your dealer:

We reserve the right to make technical changes and measurement adjustments ver. 1.0 - 05/2015 / GB  
Images shown in this brochure may also contain optional equipment variants.

